



MODERN LIGHTING

PRODUCT CATALOG



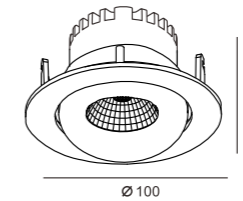
Classic Series

Whether for a new building or renovation of an existing space, customers want lighting solutions that provide quality of light and substantial energy and maintenance savings. The new Classic Series range of LED products can be used to replace functional luminaries in general lighting applications. Non-dimming triac-dimming 0-10V, DALI are now available. The process of selecting, installing and maintaining is so easy – it's a simple switch.

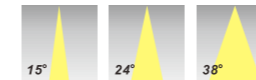


MS31001

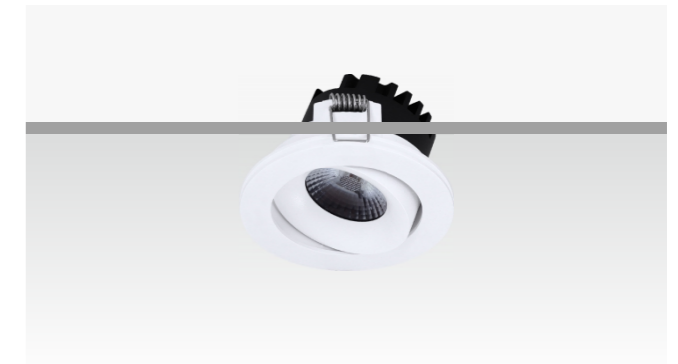
LED Power : 10W / 12W
CRI : 93
Luminous Flux : $\geq 85\text{Lm/W}$
Cut Out Size : $\Phi 89\text{mm}$
CCT : 2700K / 3000K / 4000K



Optical Angle

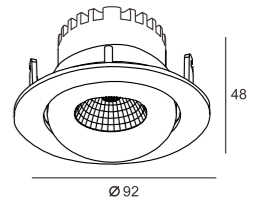


Fixture Colour Options

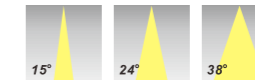


MS31003

LED Power : 10W / 12W
CRI : 93
Luminous Flux : $\geq 85\text{Lm/W}$
Cut Out Size : $\Phi 83\text{mm}$
CCT : 2700K / 3000K / 4000K



Optical Angle

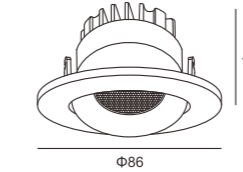


Fixture Colour Options

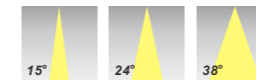


MS31008

LED Power : 5W / 7W
CRI : 93
Luminous Flux : $\geq 85\text{Lm/W}$
Cut Out Size : $\Phi 72\text{mm}$
CCT : 2700K / 3000K / 4000K



Optical Angle

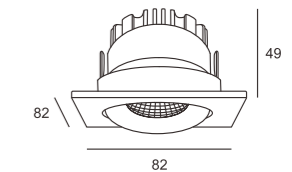


Fixture Colour Options

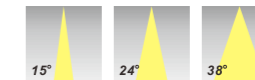


MS31010

LED Power : 5W / 7W
CRI : 93
Luminous Flux : $\geq 85\text{Lm/W}$
Cut Out Size : $\Phi 72\text{mm}$
CCT : 2700K / 3000K / 4000K

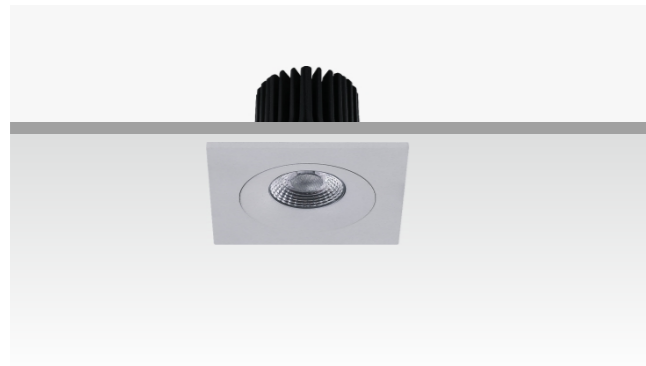


Optical Angle



Fixture Colour Options

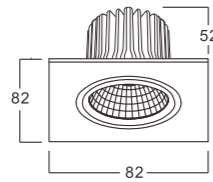




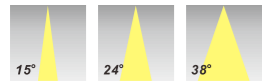
MS31011

LED Power : 10W
 CRI : 93
 Luminous Flux : $\geq 85\text{Lm/W}$
 Cut Out Size : $\Phi 72\text{mm}$
 CCT : 2700K / 3000K / 4000K

IP54 LED ECO DALI ComfyEYE



Optical Angle



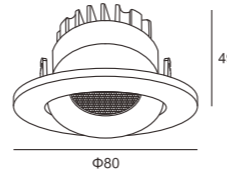
Fixture Colour Options



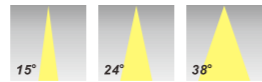
MS31014

LED Power : 5W / 7W
 CRI : 93
 Luminous Flux : $\geq 85\text{Lm/W}$
 Cut Out Size : $\Phi 68\text{mm}$
 CCT : 2700K / 3000K / 4000K

IP54 LED ECO DALI ComfyEYE



Optical Angle



Fixture Colour Options



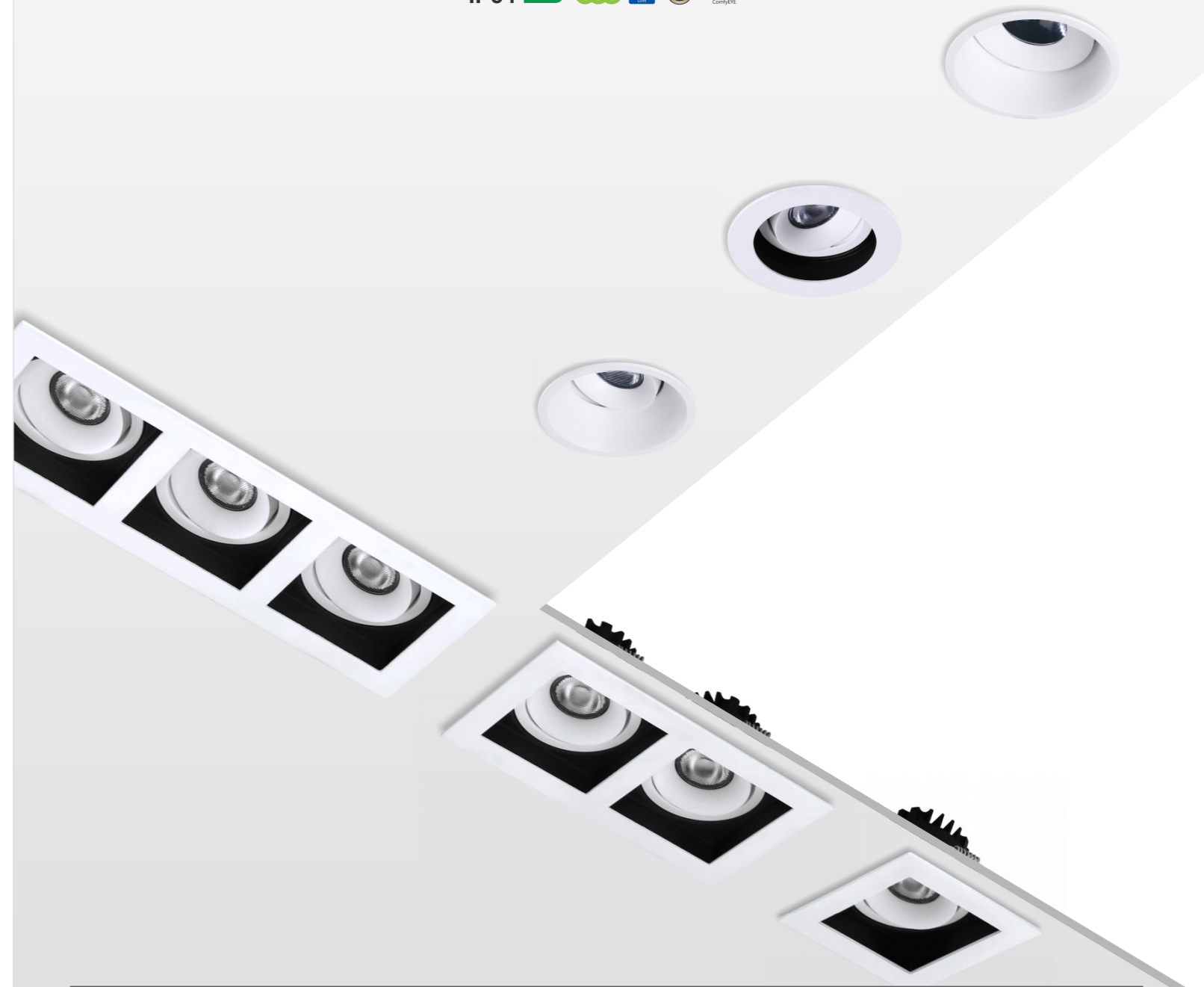
Anti-Glare Series

Currently, virtually all new and modernized buildings are looking for lighting solutions that provide high-quality light with low energy consumption and low maintenance costs.

New Anti-Glare Series LED luminaries will be the right products. Installing and maintaining the luminaries was maximized simplified.

The most important thing is to protect our eyes with UGR<19.

IP54 LED ECO DALI ComfyEYE



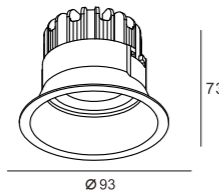
LED ANTI-GLARE SERIES



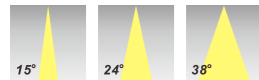
MS31051

LED Power : 10W
 CRI : 93
 Luminous Flux : ≥85Lm/W
 Cut Out Size : Φ83mm
 CCT : 2700K / 3000K / 4000K

IP54



Optical Angle



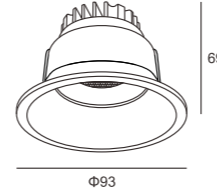
Fixture Colour Options



MS31057

LED Power : 5W / 7W
 CRI : 93
 Luminous Flux : ≥85Lm/W
 Cut Out Size : Φ83mm
 CCT : 2700K / 3000K / 4000K

IP54



Optical Angle



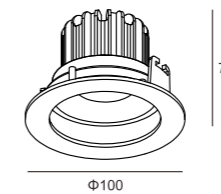
Fixture Colour Options



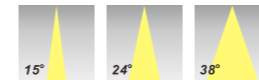
MS31052

LED Power : 10W
 CRI : 93
 Luminous Flux : ≥85Lm/W
 Cut Out Size : Φ88mm
 CCT : 2700K / 3000K / 4000K

IP54



Optical Angle



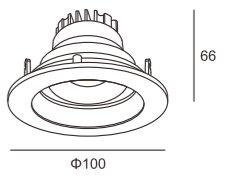
Fixture Colour Options



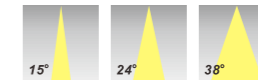
MS31058

LED Power : 5W / 7W
 CRI : 93
 Luminous Flux : ≥85Lm/W
 Cut Out Size : Φ88mm
 CCT : 2700K / 3000K / 4000K

IP54



Optical Angle



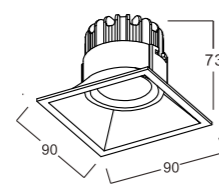
Fixture Colour Options



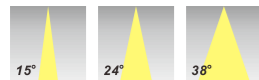
MS31053

LED Power : 10W
 CRI : 93
 Luminous Flux : ≥85Lm/W
 Cut Out Size : 78*78mm
 CCT : 2700K / 3000K / 4000K

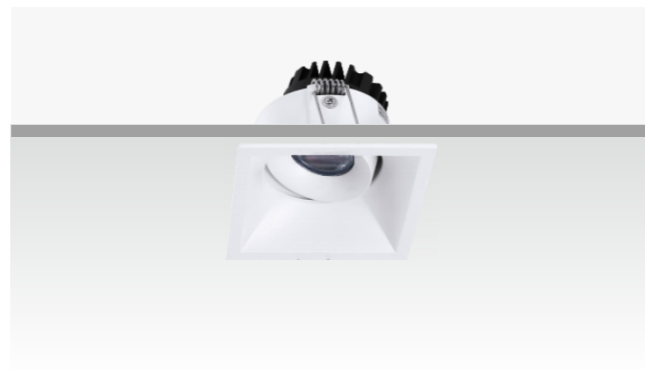
IP54



Optical Angle



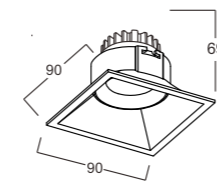
Fixture Colour Options



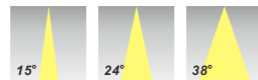
MS31059

LED Power : 5W / 7W
 CRI : 93
 Luminous Flux : ≥85Lm/W
 Cut Out Size : 78*78mm
 CCT : 2700K / 3000K / 4000K

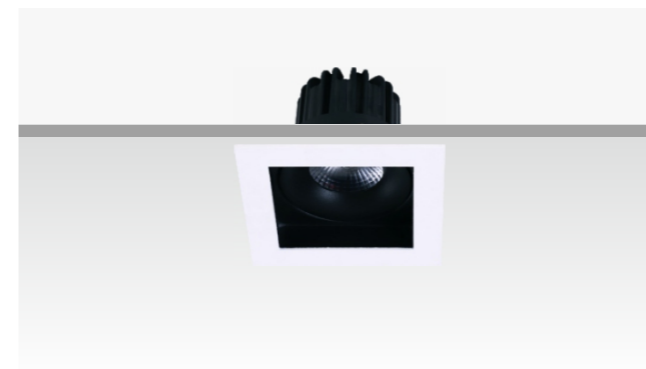
IP54



Optical Angle



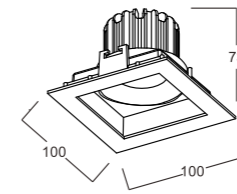
Fixture Colour Options



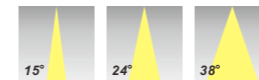
MS31054

LED Power : 10W
 CRI : 93
 Luminous Flux : ≥85Lm/W
 Cut Out Size : 88*88mm
 CCT : 2700K / 3000K / 4000K

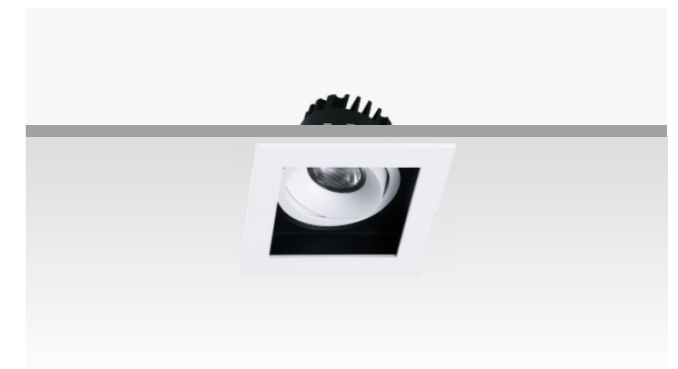
IP54



Optical Angle



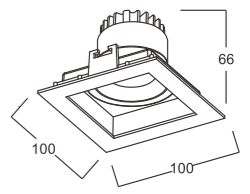
Fixture Colour Options



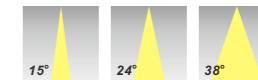
MS31060

LED Power : 5W / 7W
 CRI : 93
 Luminous Flux : ≥85Lm/W
 Cut Out Size : 88*88mm
 CCT : 2700K / 3000K / 4000K

IP54



Optical Angle



Fixture Colour Options



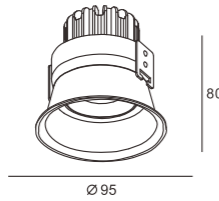
LED ANTI-GLARE SERIES



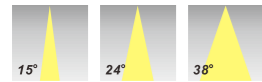
MS31234

LED Power : 10W
 CRI : 93
 Luminous Flux : $\geq 85\text{Lm/W}$
 Cut Out Size : $\Phi 83\text{mm}$
 CCT : 2700K / 3000K / 4000K

IP54 LED ECO



Optical Angle



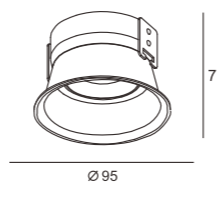
Fixture Colour Options



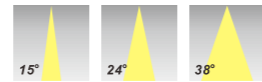
MS31235

LED Power : 5W / 7W
 CRI : 93
 Luminous Flux : $\geq 85\text{Lm/W}$
 Cut Out Size : $\Phi 83\text{mm}$
 CCT : 2700K / 3000K / 4000K

IP54 LED ECO



Optical Angle

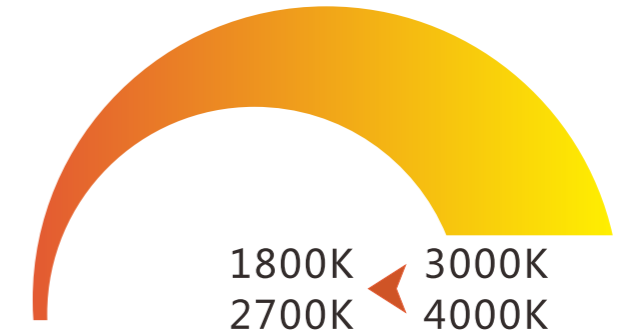
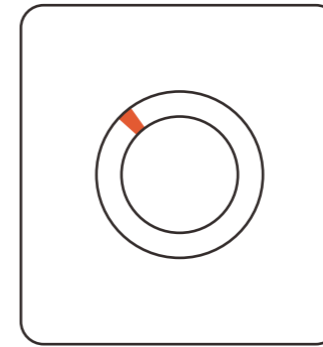
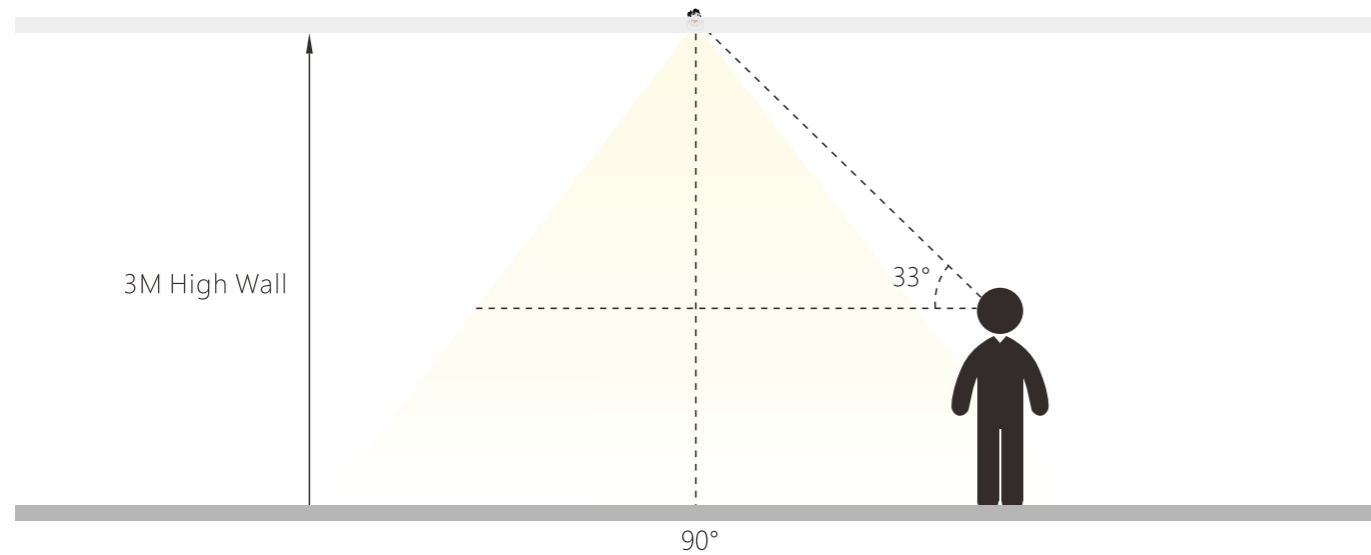


Fixture Colour Options



Shading Angle >33°

Create A Comfortable Light Environment



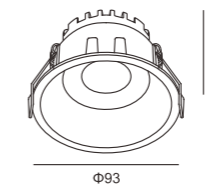
Dim to **WARM**



MS31120

LED Power : 10W
 CRI : 97+
 Luminous Flux : $\geq 85\text{Lm/W}$
 Cut Out Size : $\Phi 83\text{mm}$
 CCT : 1800K~3000K / 2700K~4000K

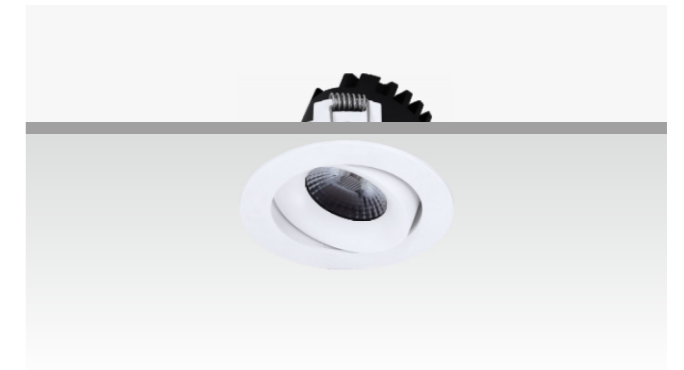
IP54 LED ECO



Optical Angle



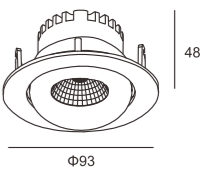
Fixture Colour Options



MS31122

LED Power : 10W
 CRI : 97+
 Luminous Flux : $\geq 85\text{Lm/W}$
 Cut Out Size : $\Phi 83\text{mm}$
 CCT : 1800K~3000K / 2700K~4000K

IP54 LED ECO



Optical Angle



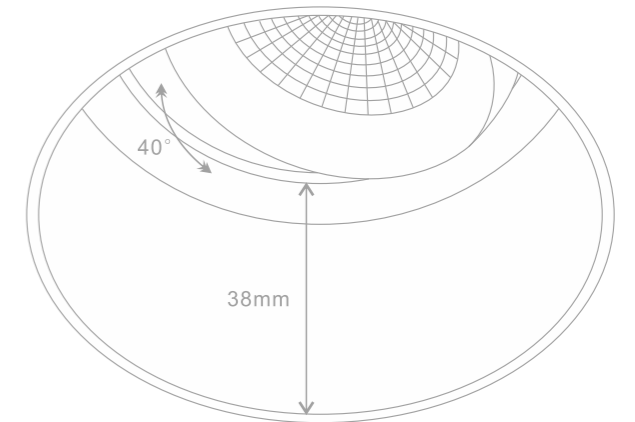
Fixture Colour Options





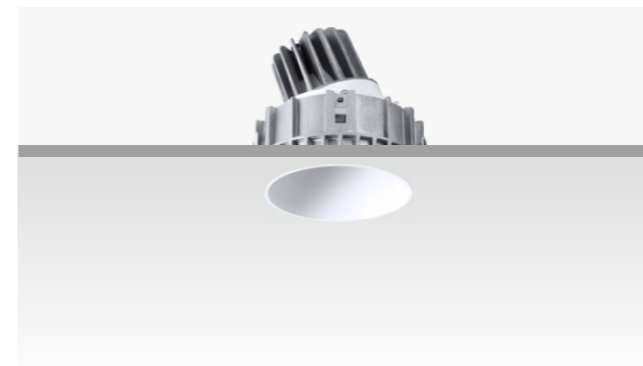
Rimless Series

Dreamy beautiful , after installed can't see any frame on the ceiling.



No Light, No Lamp

Deep Cup Anti-glare, Soft Light Effect

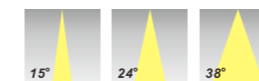


MS31130

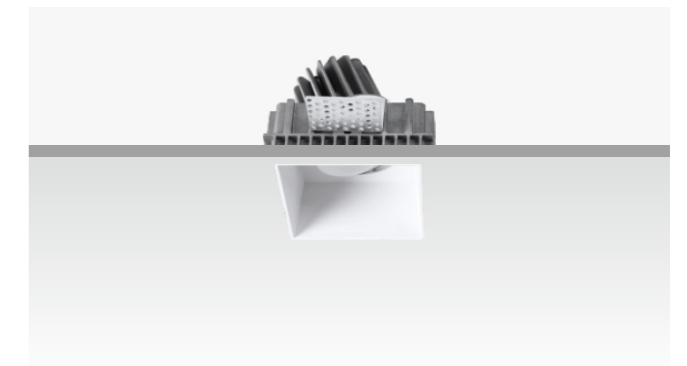
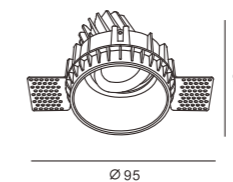
LED Power : 10W
 CRI : 93
 Luminous Flux : $\geq 85\text{Lm/W}$
 Cut Out Size : $\Phi 96\text{mm}$
 CCT : 2700K / 3000K / 4000K



Optical Angle



Fixture Colour Options

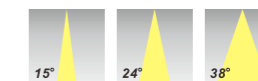


MS31131

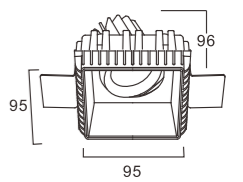
LED Power : 10W
 CRI : 93
 Luminous Flux : $\geq 85\text{Lm/W}$
 Cut Out Size : $96 \times 96\text{mm}$
 CCT : 2700K / 3000K / 4000K



Optical Angle



Fixture Colour Options





Gimbal Downlight Series

IP20 LED ECO DALI 50,000h

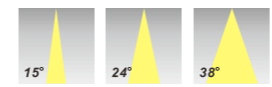


MS31100

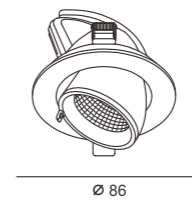
LED Power : 12W
 CRI : 93
 Luminous Flux : $\geq 85\text{Lm/W}$
 Cut Out Size : $\Phi 75\text{mm}$
 CCT : 2700K / 3000K / 4000K

IP20 LED ECO DALI 50,000h

Optical Angle



Fixture Colour Options

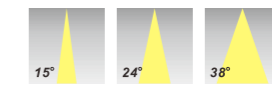


MS31101

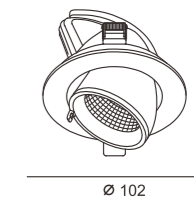
LED Power : 15W
 CRI : 93
 Luminous Flux : $\geq 85\text{Lm/W}$
 Cut Out Size : $\Phi 90\text{mm}$
 CCT : 2700K / 3000K / 4000K

IP20 LED ECO DALI 50,000h

Optical Angle



Fixture Colour Options

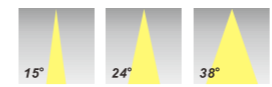


MS31102

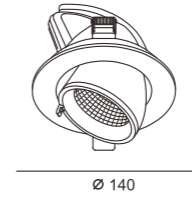
LED Power : 25W
 CRI : 93
 Luminous Flux : $\geq 85\text{Lm/W}$
 Cut Out Size : $\Phi 125\text{mm}$
 CCT : 2700K / 3000K / 4000K

IP20 LED ECO DALI 50,000h

Optical Angle



Fixture Colour Options

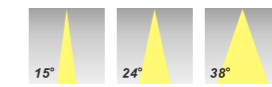


MS31103

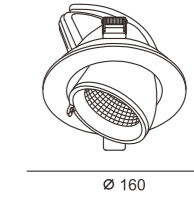
LED Power : 35W
 CRI : 93
 Luminous Flux : $\geq 85\text{Lm/W}$
 Cut Out Size : $\Phi 145\text{mm}$
 CCT : 2700K / 3000K / 4000K

IP20 LED ECO DALI 50,000h

Optical Angle



Fixture Colour Options



Gimbal Downlight Series

IP54 LED eco DALI Dimmable ComfyEye



Can Be 360°
Rotationfill Light Is More Relaxed And Free

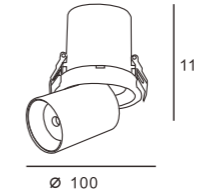
Adjust The Upper And Lower 90°
Light Moves Freely And Is No Longer Restricted



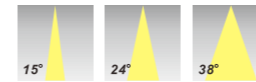
MS31150

LED Power : 12W
CRI : 93
Luminous Flux : ≥85Lm/W
Cut Out Size : Φ90mm
CCT : 2700K / 3000K / 4000K

IP54 LED eco DALI Dimmable ComfyEye



Optical Angle



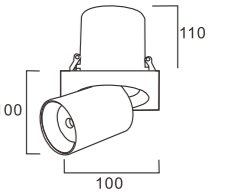
Fixture Colour Options



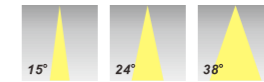
MS31151

LED Power : 12W
CRI : 93
Luminous Flux : ≥85Lm/W
Cut Out Size : 90*90mm
CCT : 2700K / 3000K / 4000K

IP54 LED eco DALI Dimmable ComfyEye



Optical Angle



Fixture Colour Options



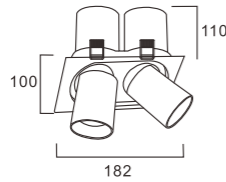
LED GIMBAL DOWNLIGHT SERIES



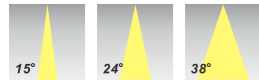
MS31152

LED Power : 2*12W
 CRI : 93
 Luminous Flux : ≥85Lm/W
 Cut Out Size : 172*90mm
 CCT : 2700K / 3000K / 4000K

IP54 LED ECO DALI



Optical Angle



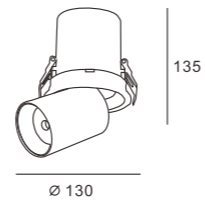
Fixture Colour Options



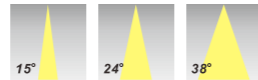
MS31153

LED Power : 25W
 CRI : 93
 Luminous Flux : ≥85Lm/W
 Cut Out Size : Φ120mm
 CCT : 2700K / 3000K / 4000K

IP54 LED ECO DALI



Optical Angle



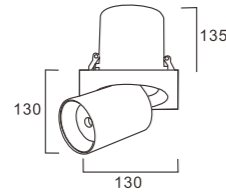
Fixture Colour Options



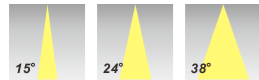
MS31154

LED Power : 25W
 CRI : 93
 Luminous Flux : ≥85Lm/W
 Cut Out Size : 120*120mm
 CCT : 2700K / 3000K / 4000K

IP54 LED ECO DALI



Optical Angle



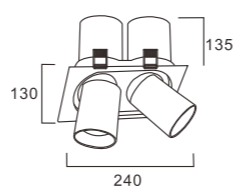
Fixture Colour Options



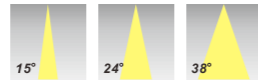
MS31155

LED Power : 2*25W
 CRI : 93
 Luminous Flux : ≥85Lm/W
 Cut Out Size : 230*120mm
 CCT : 2700K / 3000K / 4000K

IP54 LED ECO DALI



Optical Angle



Fixture Colour Options



IP20 LED ECO DALI

Replaceable Fixture Series

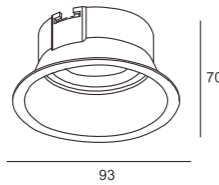


LED REPLACEABLE FIXTURE SERIES



MS31281

Cut Out Size : $\Phi 83\text{mm}$



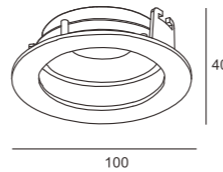
IP20

Fixture Colour Options



MS31282

Cut Out Size : $\Phi 89\text{mm}$



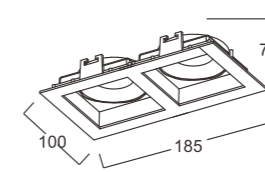
IP20

Fixture Colour Options



MS31285

Cut Out Size : $168 \times 88\text{mm}$



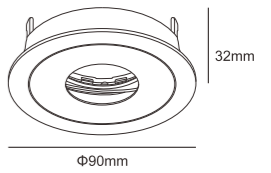
IP20

Fixture Colour Options



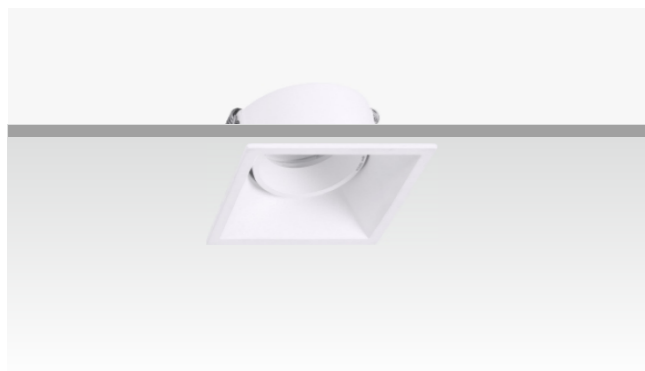
MS31286

Cut Out Size : $\Phi 80\text{mm}$



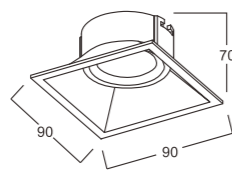
IP20

Fixture Colour Options



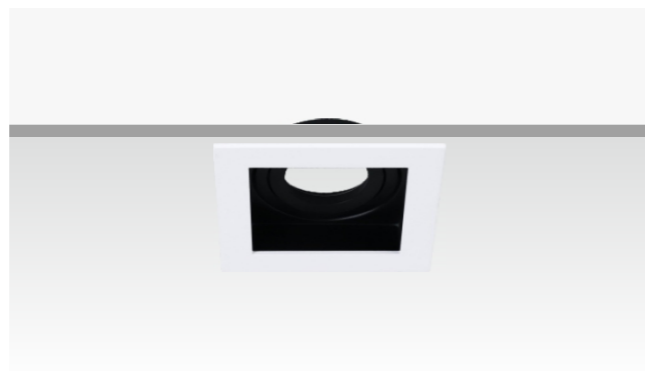
MS31283

Cut Out Size : $78 \times 78\text{mm}$



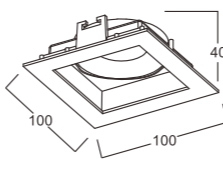
IP20

Fixture Colour Options



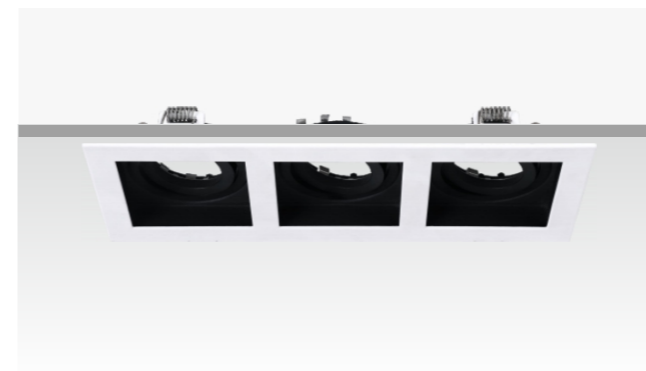
MS31284

Cut Out Size : $88 \times 88\text{mm}$



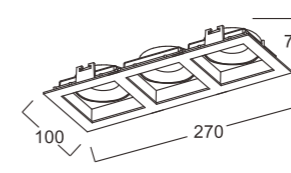
IP20

Fixture Colour Options



MS31287

Cut Out Size : $252 \times 88\text{mm}$



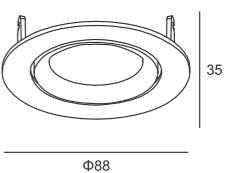
IP20

Fixture Colour Options



MS31288

Cut Out Size : $\Phi 73\text{mm}$



IP20

Fixture Colour Options





Surface Mounted



Messenger wire installation

IP44 LED eco

Surface Mounted Downlight Series

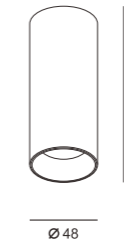
Installation Optional



MSDL-SMRD60-8W

LED Power : 8W
CRI : 93
Luminous Flux : ≥85Lm/W
CCT : 2700K / 3000K / 4000K

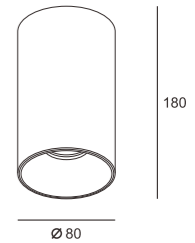
IP44 LED eco



MSDL-SMRD80-18W

LED Power : 18W
CRI : 93
Luminous Flux : ≥85Lm/W
CCT : 2700K / 3000K / 4000K

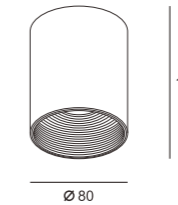
IP44 LED eco



MSDL-SMRD80-12W

LED Power : 12W
CRI : 93
Luminous Flux : ≥85Lm/W
CCT : 2700K / 3000K / 4000K

IP44 LED eco



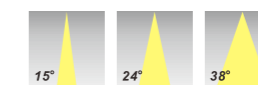
MSDL-SMRD80-15W

LED Power : 15W
CRI : 93
Luminous Flux : ≥85Lm/W
CCT : 2700K / 3000K / 4000K

IP44 LED eco



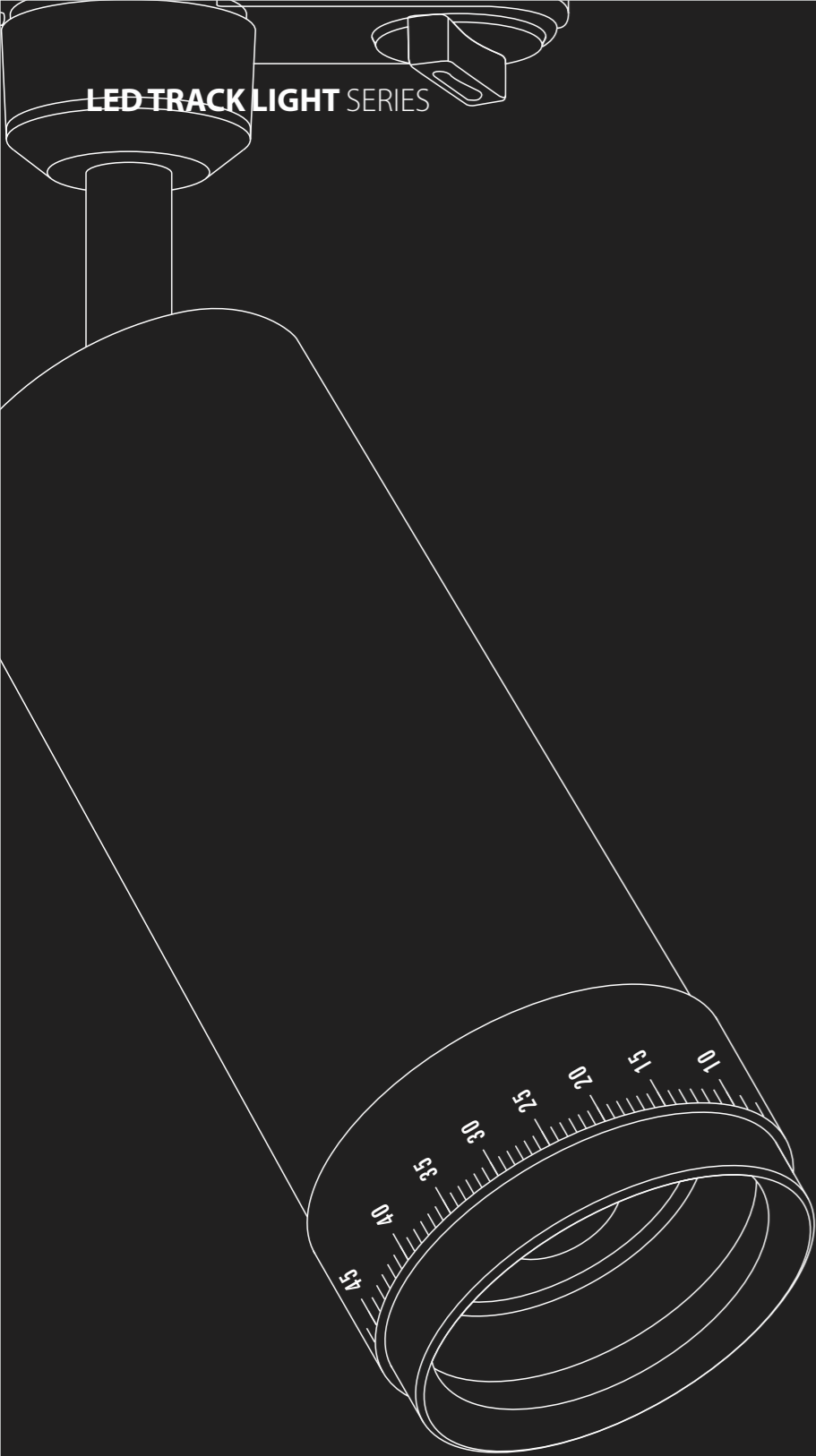
Optical Angle



Fixture Colour Options



LED TRACK LIGHT SERIES



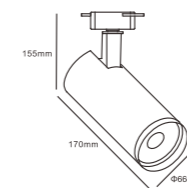
IP20 LED eco

Track Light Series



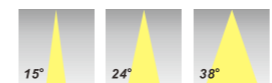
MS17001

LED Power : 20W
 CRI : 93
 Luminous flux : ≥85Lm/W
 CCT : 2700K / 3000K / 4000K



IP20 LED eco

Optical Angle

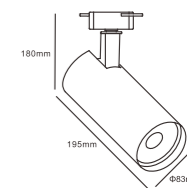


Fixture Colour Options



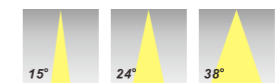
MS17002

LED Power : 30W
 CRI : 93
 Luminous flux : ≥85Lm/W
 CCT : 2700K / 3000K / 4000K



IP20 LED eco

Optical Angle



Fixture Colour Options

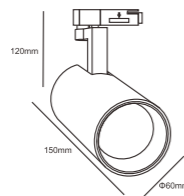


LED TRACK LIGHT SERIES



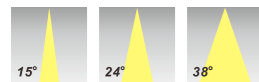
MS17010

LED POWER : 10W / 15W
 CRI : 93
 Luminous flux : ≥85Lm/W
 CCT : 2700K / 3000K / 4000K



IP20 LED eco

Optical Angle

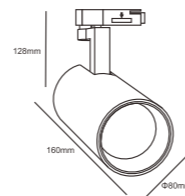


Fixture Colour Options



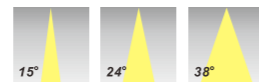
MS17011

LED POWER : 20W / 25W
 CRI : 93
 Luminous flux : ≥85Lm/W
 CCT : 2700K / 3000K / 4000K



IP20 LED eco

Optical Angle

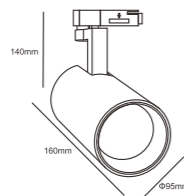


Fixture Colour Options



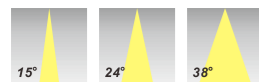
MS17012

LED POWER : 30W / 35W
 CRI : 93
 Luminous flux : ≥85Lm/W
 CCT : 2700K / 3000K / 4000K



IP20 LED eco

Optical Angle

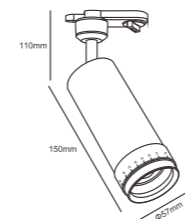


Fixture Colour Options



MS17020

LED POWER : 10W / 20W / 30W
 CRI : 93
 Luminous flux : ≥85Lm/W
 CCT : 2700K / 3000K / 4000K

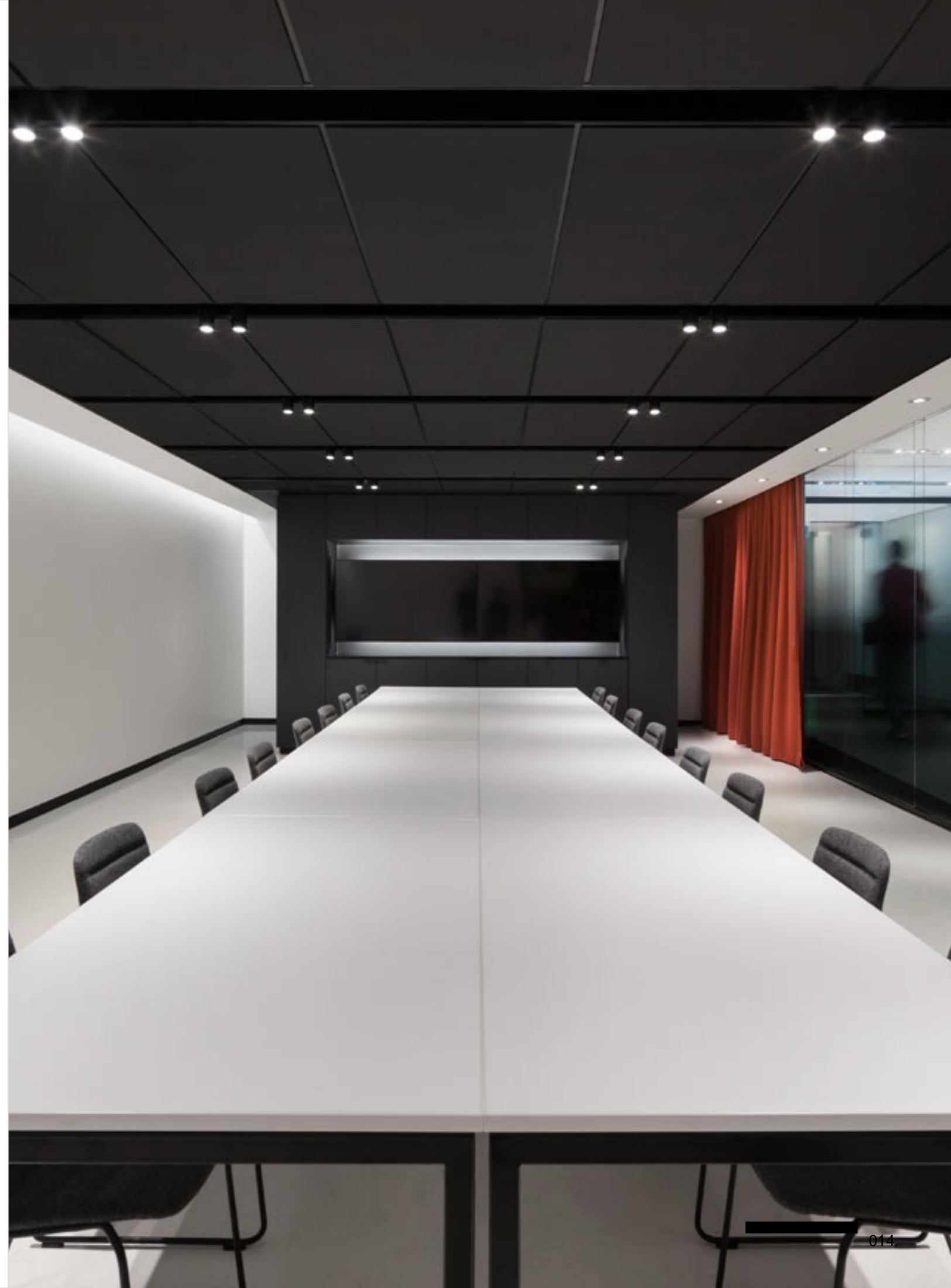


IP20 LED eco

Optical Angle



Fixture Colour Options



The Orbit 48V Track System

Slender Tracks / Slim Luminaires / Smart Controls / Saving Energy
combines unornamented aesthetics with a multitude of configuration options and effortless installation.

The outcome is an ecosystem of quality components perfect for spaces
where constant flexibility and high performance are required.

IP20 LED eco  

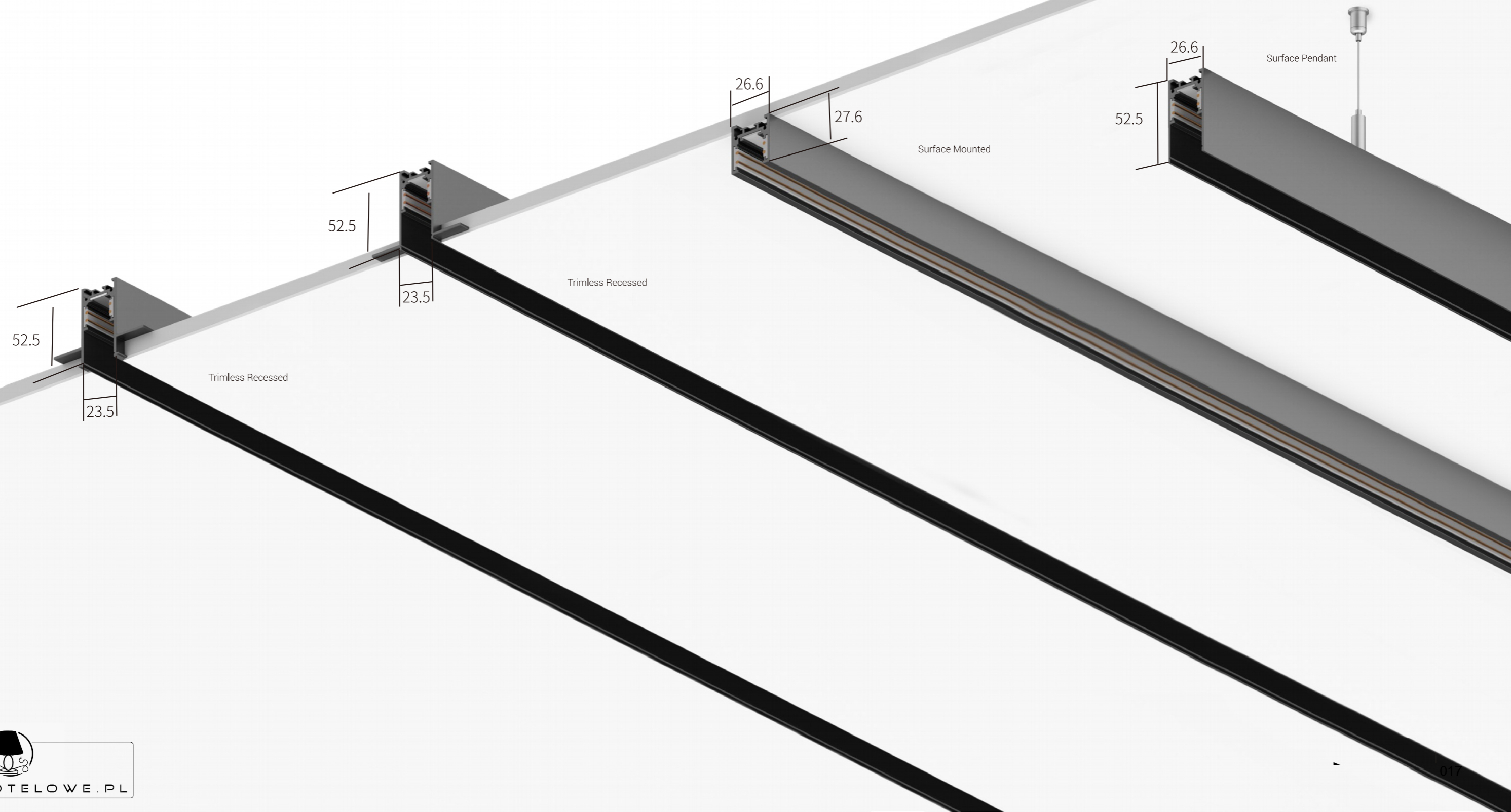
MAGNETIC TRACK LAMP SERIES



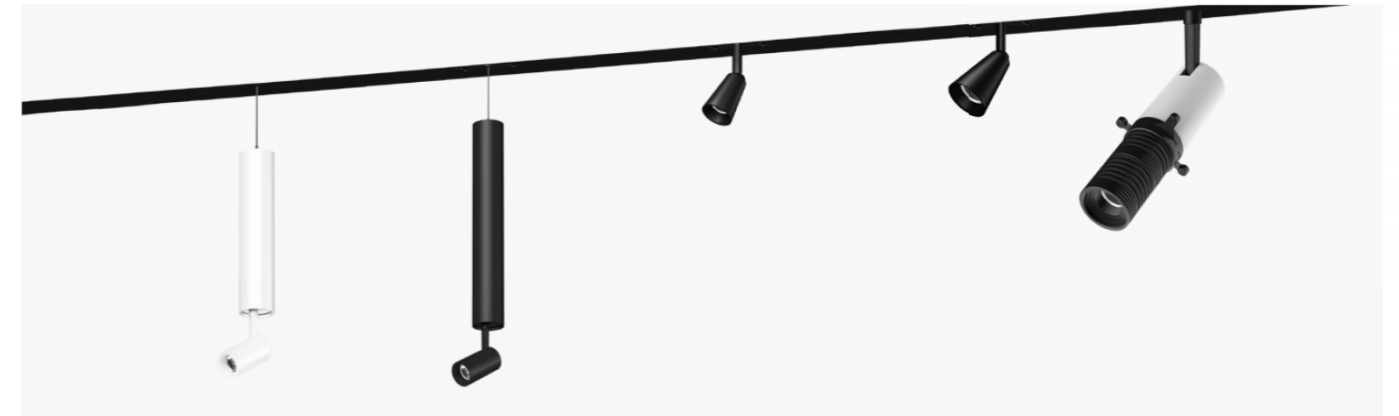
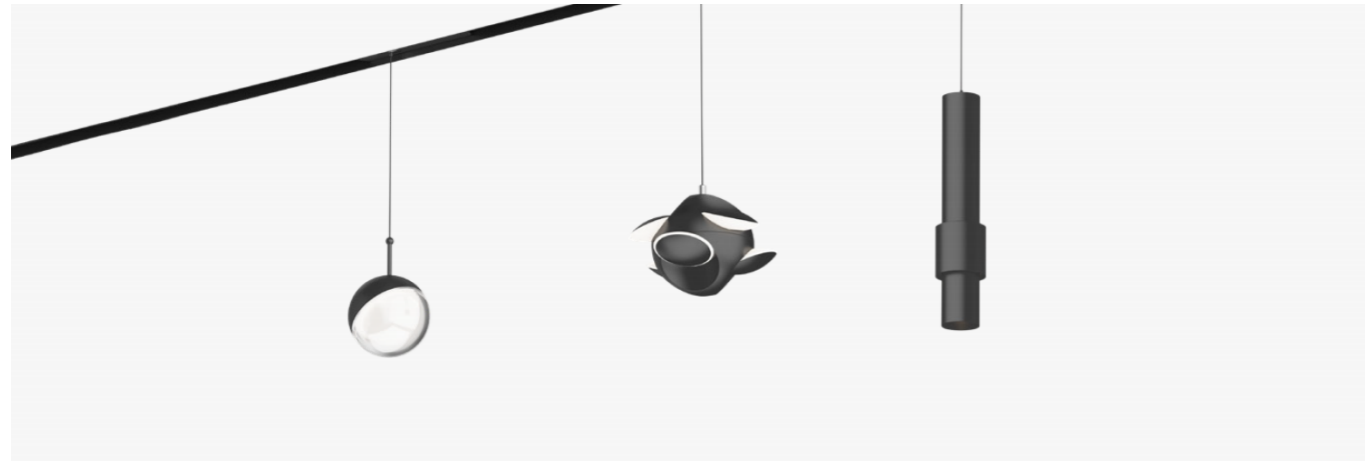
Various specifications

According to the size of customers' needs, cut it into different lengths, match with different shapes to reflect different lighting effects.

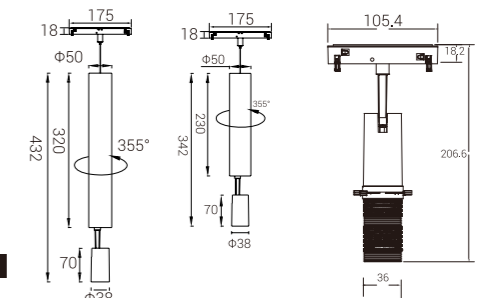
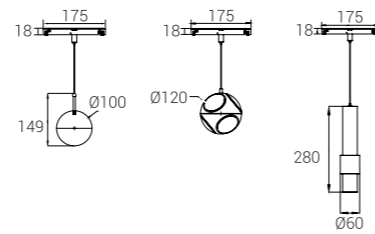
All available with Suspended, surface mounted and recessed mounted versions.



NEW



Colour:  White  Black  Gold



MSCX-DXYQ100Q / MSCX-DXYQ120Q / MSCX-DX46

MSCX-DX38 / MSCX-DX36

Model Code	MSCX-DXYQ100Q	MSCX-DXYQ120Q	MSCX-DX46
Power	6W	6W	6W
Installation	Magnetic	Magnetic	Magnetic
Light Source	OSRAM / CREE	OSRAM / CREE	OSRAM / CREE
Size(DxH)	Φ100mm	Φ120mm	Φ46X280mm
UGR	<19	<19	<19
CRI	≥80/≥90	≥80/≥90	≥80/≥90/≥97
Beam angle	/	/	25°/40°/60°/80°

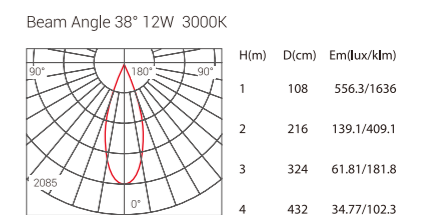
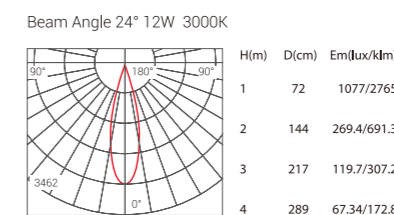
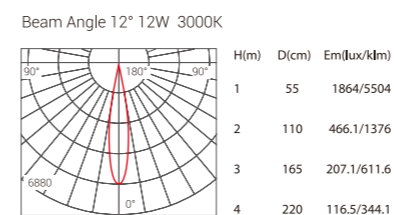
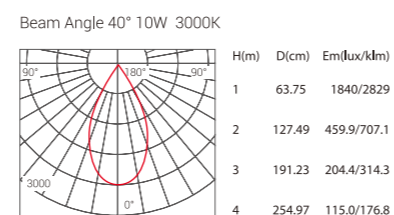
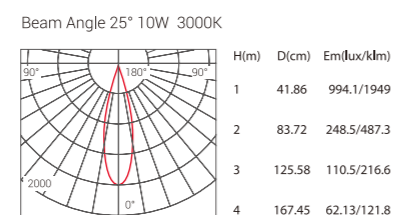
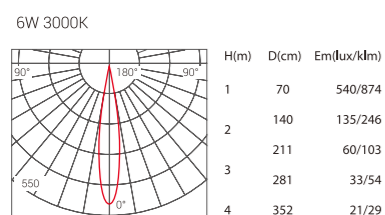
Model Code	MSCX-DX38	MSCX-DX36
Power	7W	6w
Installation	Magnetic	Magnetic
Light Source	CREE	CREE
Size(DxH)	Φ38X70mm	Φ36X188.4mm
UGR	<19	<19
CRI	≥80/≥90	≥80/≥90
Beam angle	12°/24°/38°	12°/24°/38°

CCT	2700K/3000K/4000K/5000K	2700K/3000K/4000K/5000K	2700K/3000K/4000K/5000K
Lumens	540 lm	480 lm	420 lm
Life time	50000 h	50000 h	50000 h
IP	IP20 / IP65	IP20 / IP65	IP20 / IP65

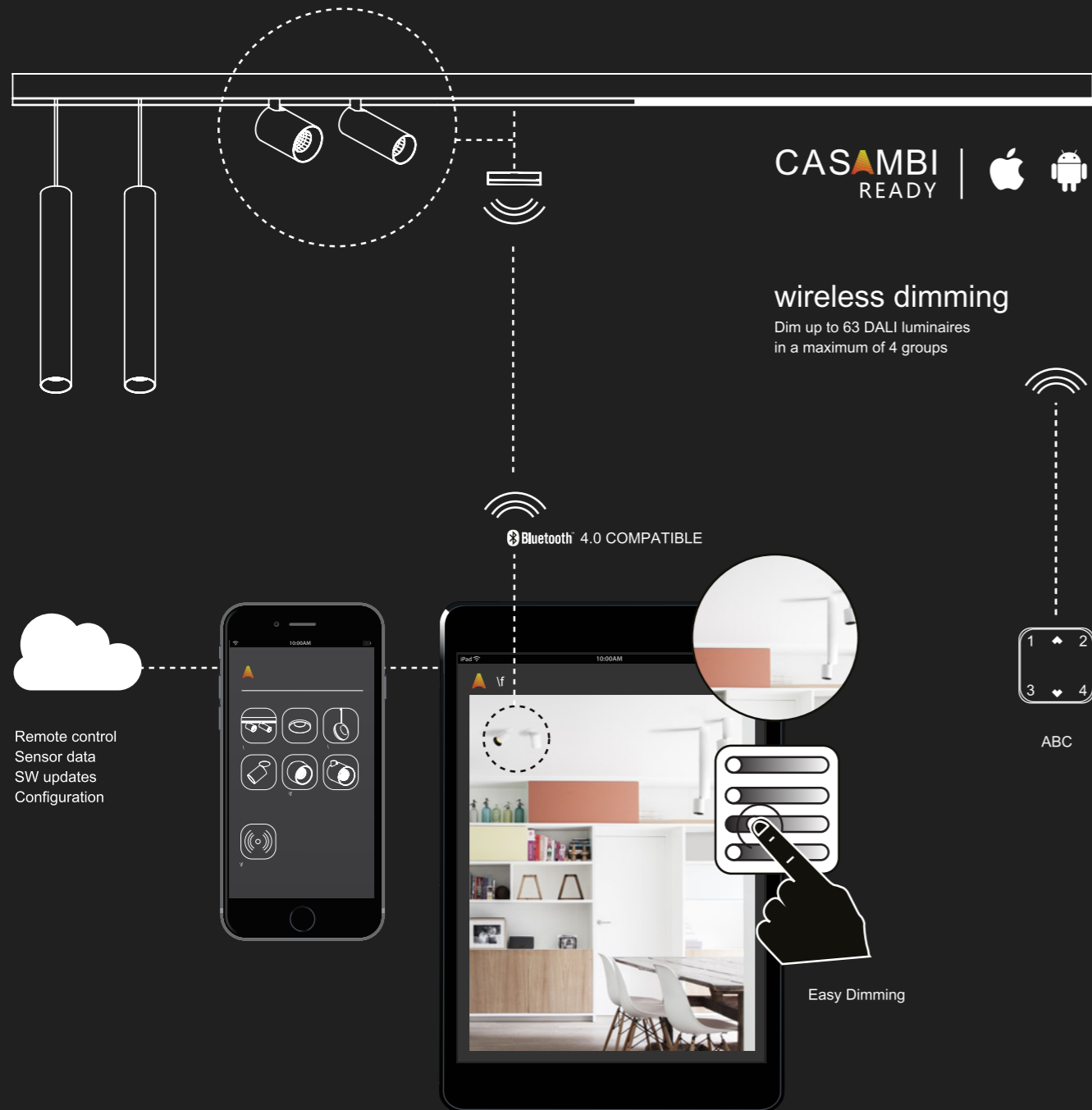
CCT	2700K/3000K/4000K/5000K	2700K/3000K/4000K/5000K
Lumens	570 lm	1140 lm
Life time	50000 h	50000 h
IP	IP20 / IP65	IP20 / IP65

Photometric

Photometric



Casambi Ready IOS & Android



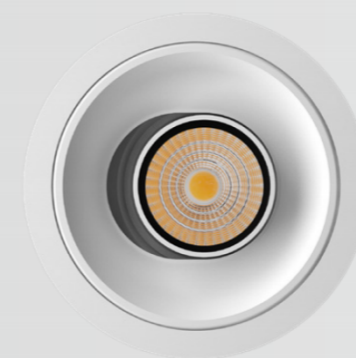
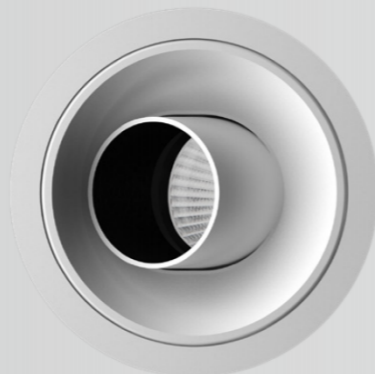
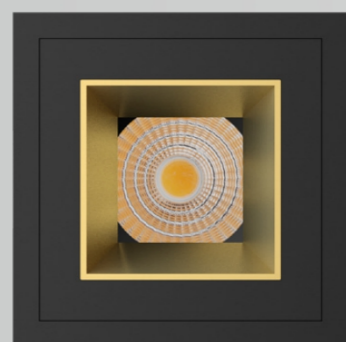
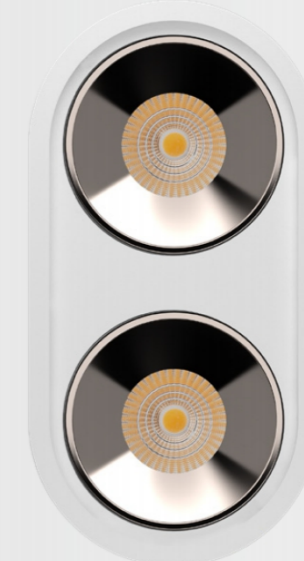
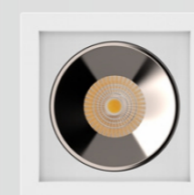
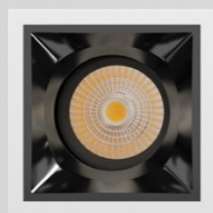
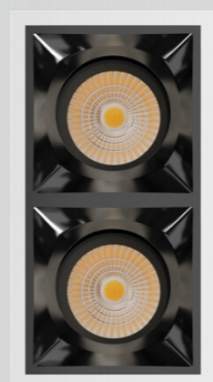


Family Design

Different design for all choices

Different styles of frame



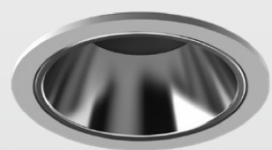


Circular / Square / Trimless

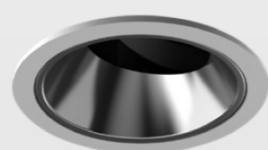
According to the lighting effect and facial rings, various style and light effect can be selected

Each kind of facial ring has its unique light effect.

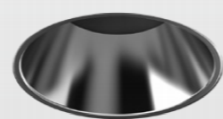




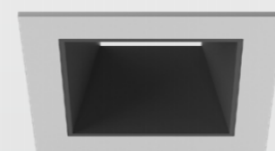
Fixed



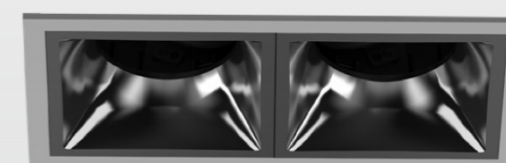
Adjustable



Trimless



Square



Double

Multiple installation structures

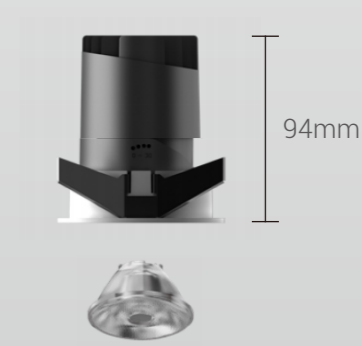
Fixed / Adjustable / Trimless

Reasonable Installation can keep the ceiling
simple natural and visual consistency

Reflection cup design



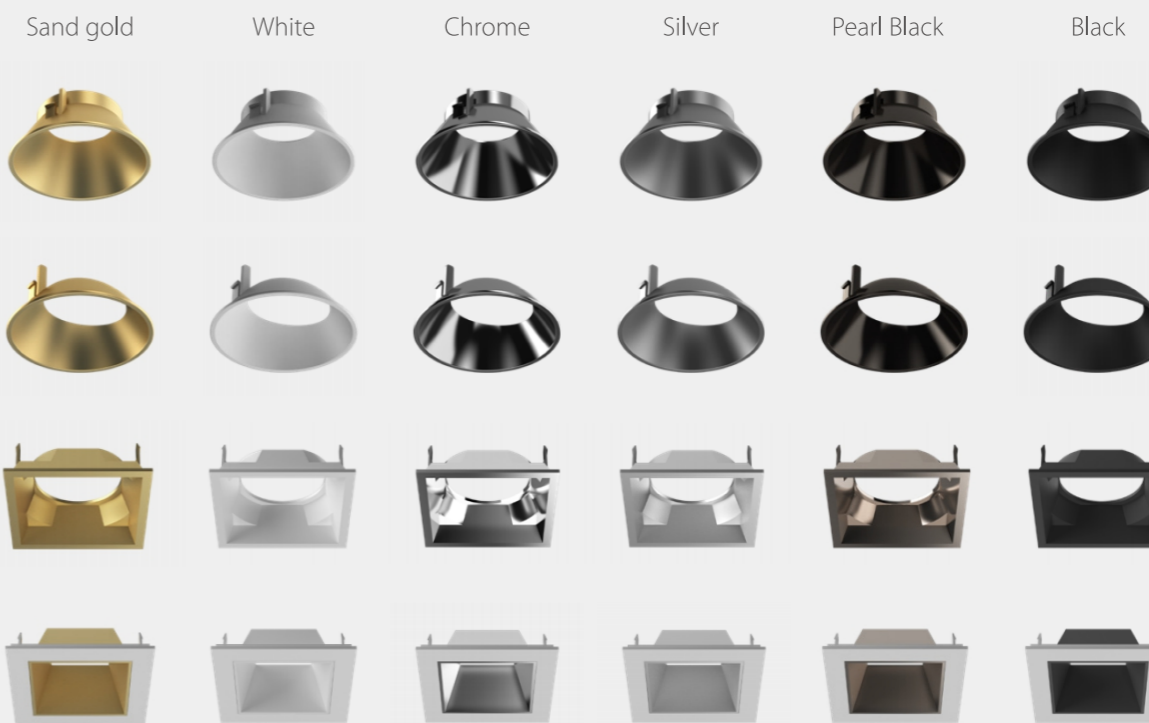
lens design





Beauty, more than one

Reflection cup available in 6 colors to meet the needs of different occasions
Reflection cup is precisely designed using electroplating and nano-painting technology with high reflection efficiency providing comfortable light effect.





Matching Module / MR16 Light Source

It can be matched with different light source modules
and the combination is changeable



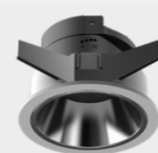
8W



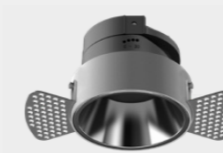
12W



MR16/GU10



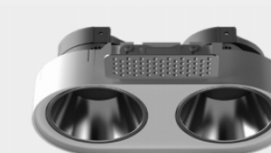
Round-Framed



Round-Frameless



Double-Framed



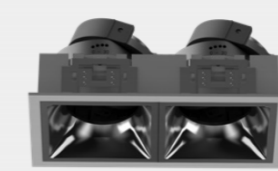
Double-Frameless



Square-Framed



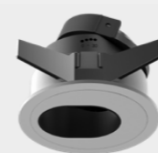
Square-Frameless



Double-Framed



Double-Frameless



Elliptical-Framed



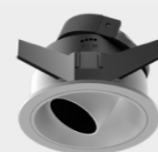
Elliptical-Frameless



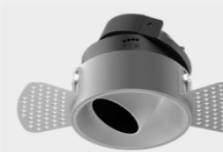
Double-Framed



Double-Frameless



Antiglare-Framed



Antiglare-Frameless

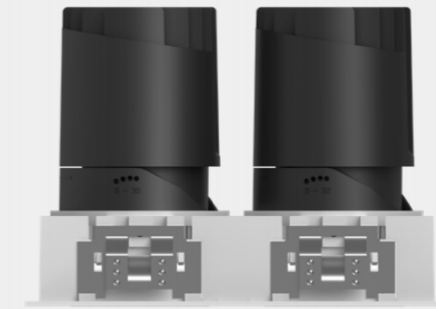
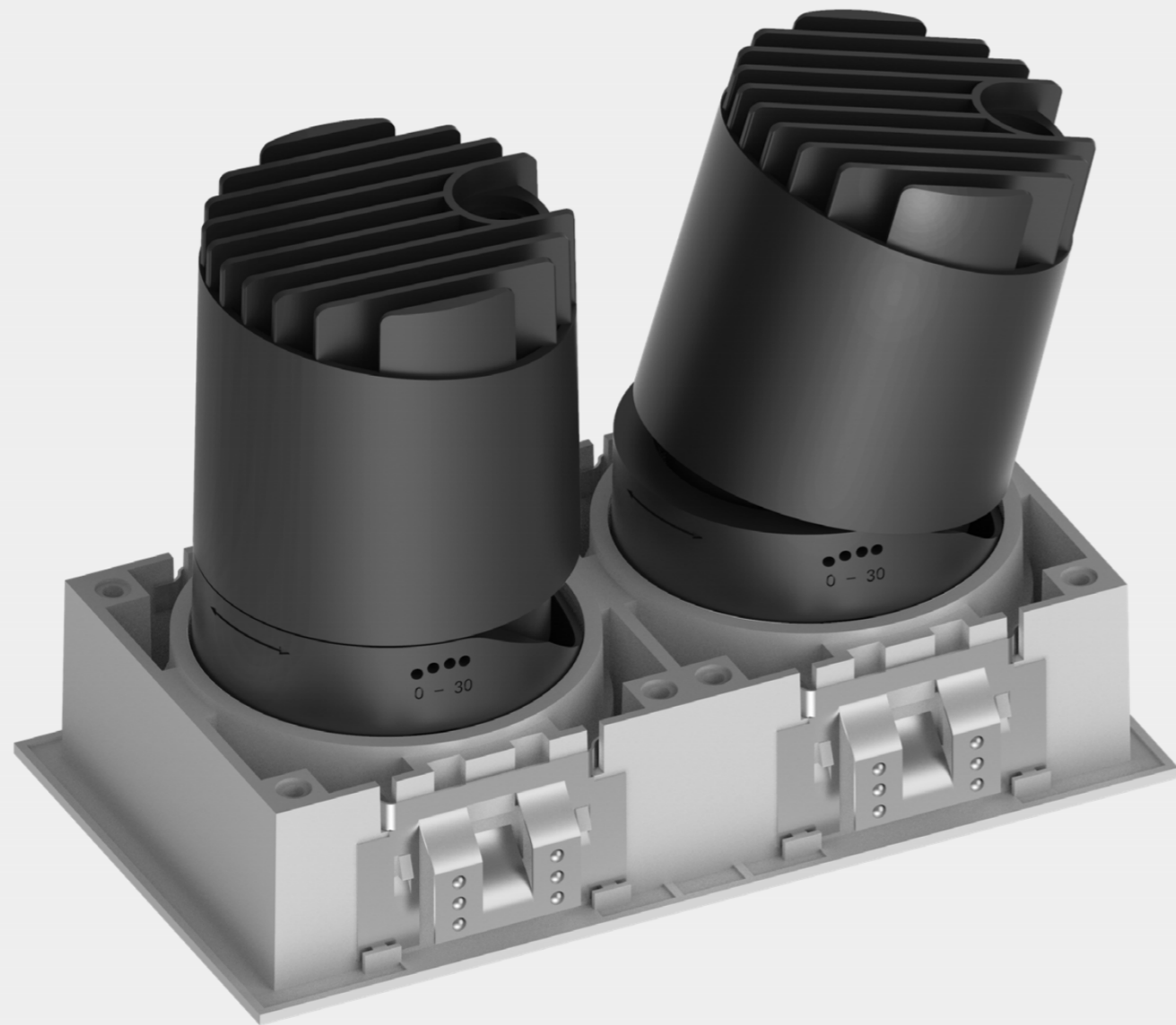


Double-Framed



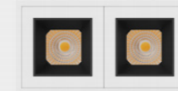
Double-Frameless

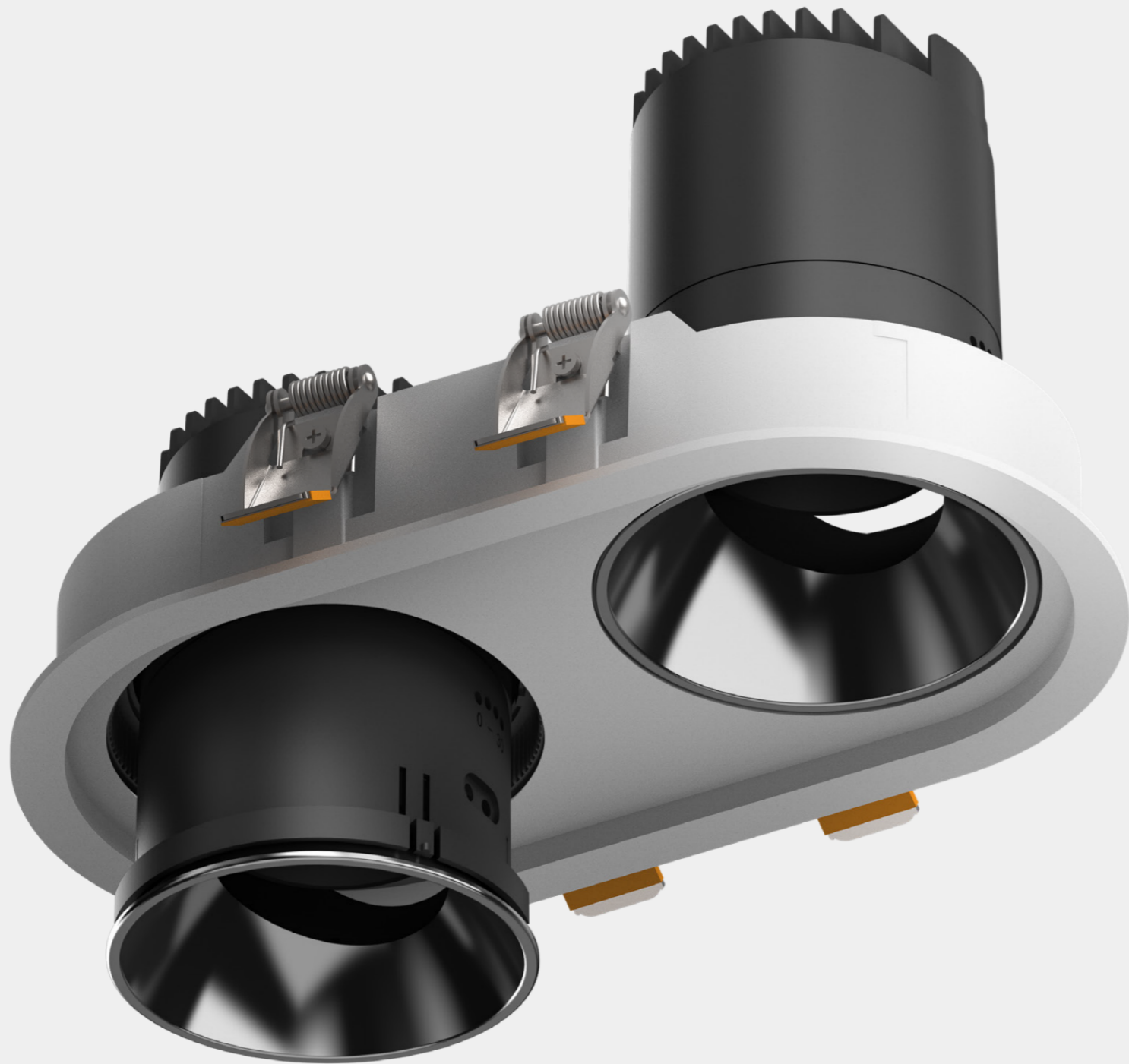




One piece face ring

New design frame provide enough brightness for high-rise spaces
Square frame provides flexible lighting





Luminous efficiency

Rotate freely in all directions

Adjust light as needed to maximize the value of light effect

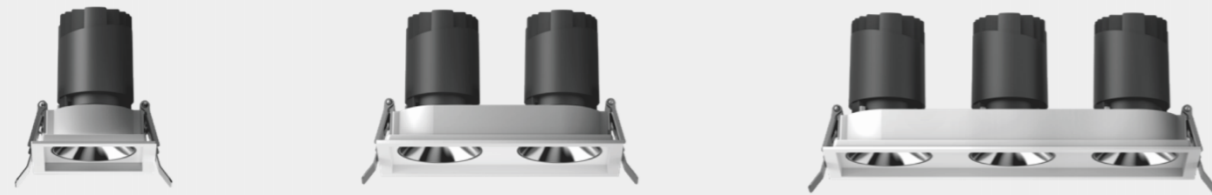




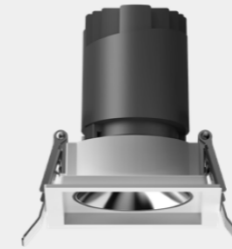
MSLN LIGHT

Frame Options

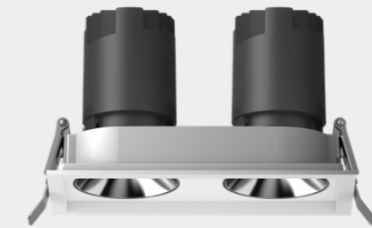
The new face frame adapts to various series



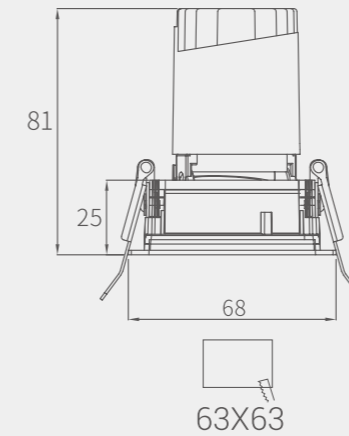
1+1>2



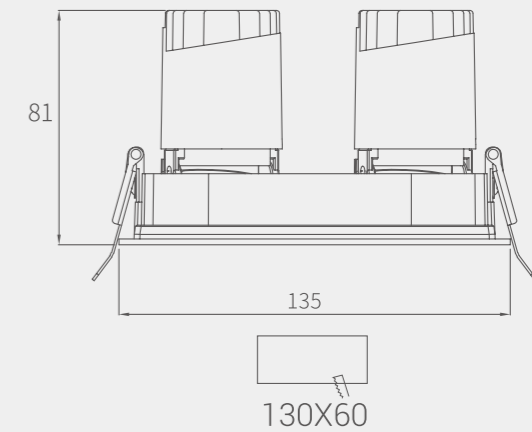
Framed-Single



Framed-Double



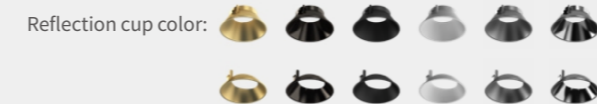
NEW Model: MSLN0617
 Power: 6W
 Cutout: 63X63mm
 Size(WxH): 68X68X81mm



NEW Model: MSLN0625
 Power: 6WX2
 Cutout: 130X60mm
 Size(WxH): 135X68X81mm

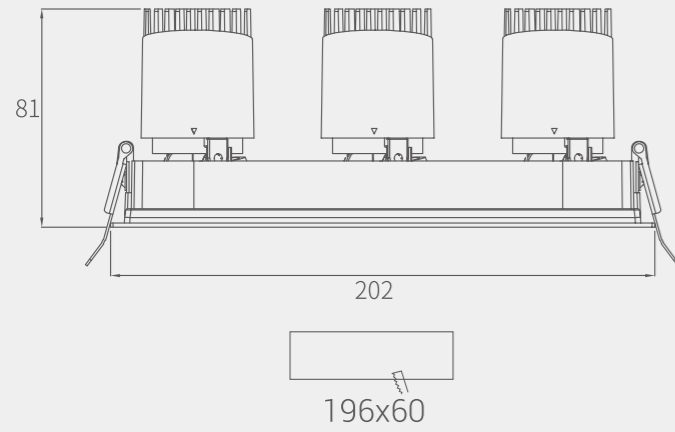
Free combination

Free collocation like building blocks, providing enough choices for more scenes
 Multi head face box provides more matching ways.





Framed-Triple



NEW Model: MSLN0635

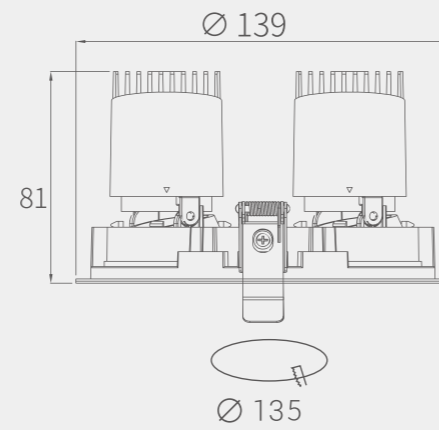
Power: 6WX3

Cutout: 196X60mm

Size(WxH): 202X68X81mm



Framed-Doubel Round



NEW Model: MSLN0623

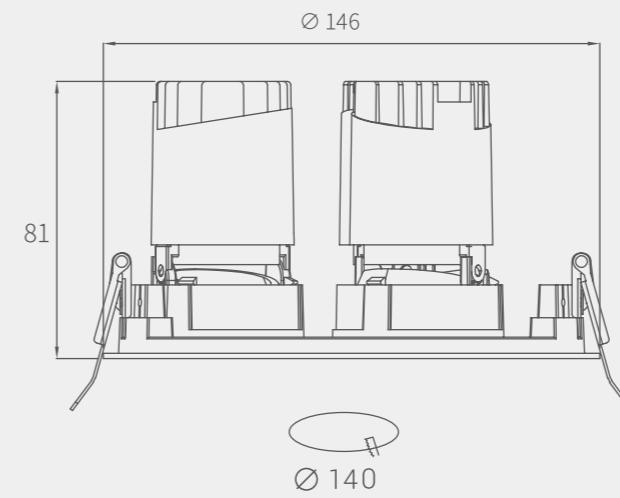
Power: 6WX2

Cutout: Ø135mm

Size(WxH): Ø139X81mm



Framed-Triple Round

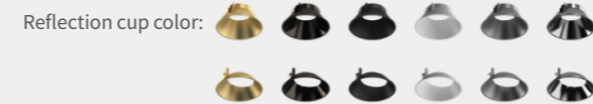


NEW Model: MSLN0633

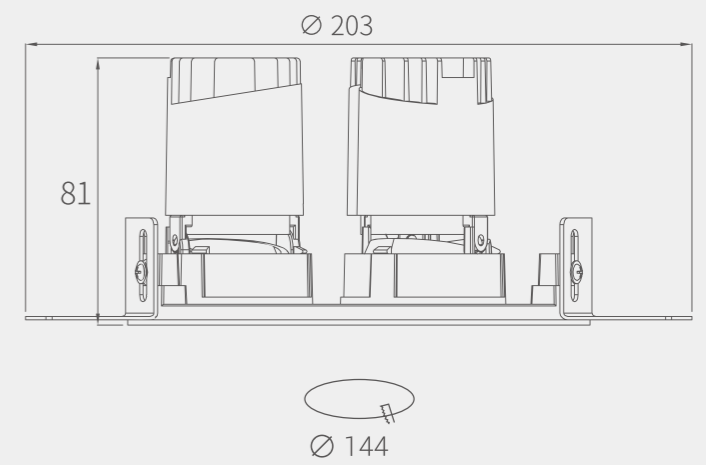
Power: 6WX3

Cutout: Ø140mm

Size(WxH): Ø146X81mm



Frameless-Triple Rounds

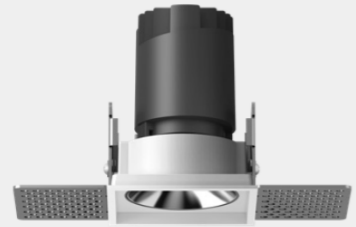


NEW Model: MSLN0634

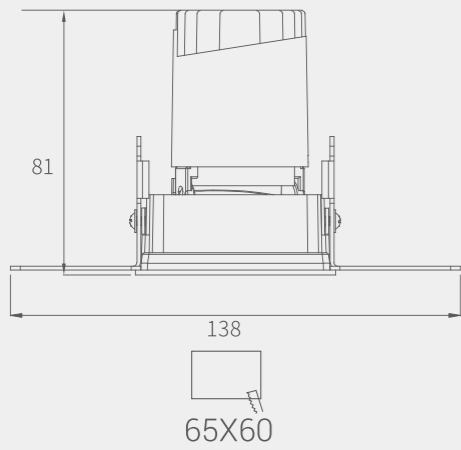
Power: 6WX3

Cutout: Ø144mm

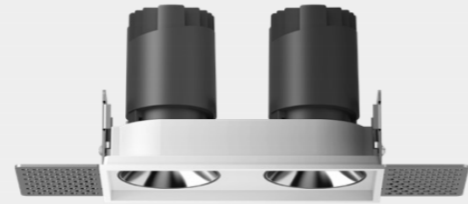
Size(WxH): Ø203X81mm



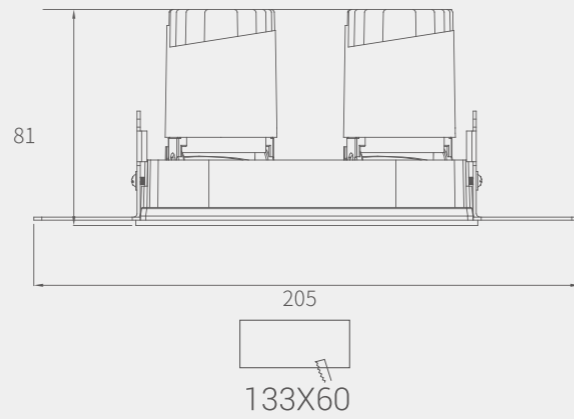
Frameless-single



NEW Model: MSLN0618
 Power: 6W
 Cutout: 65X60mm
 Size(WxH): 138X68X81mm



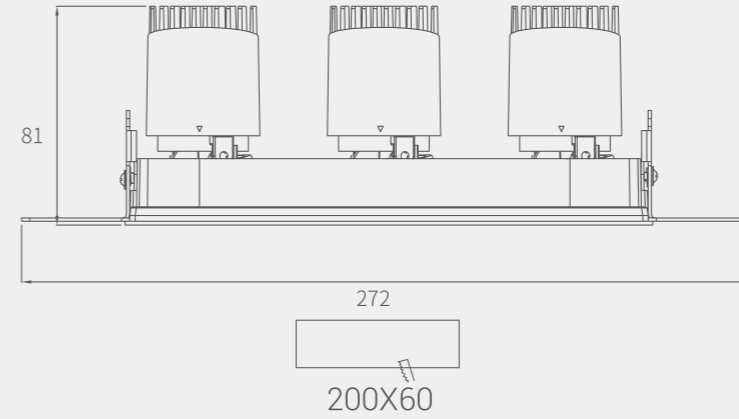
Frameless-Double



NEW Model: MSLN0626
 Power: 6WX2
 Cutout: 133X60mm
 Size(WxH): 205X68X81mm



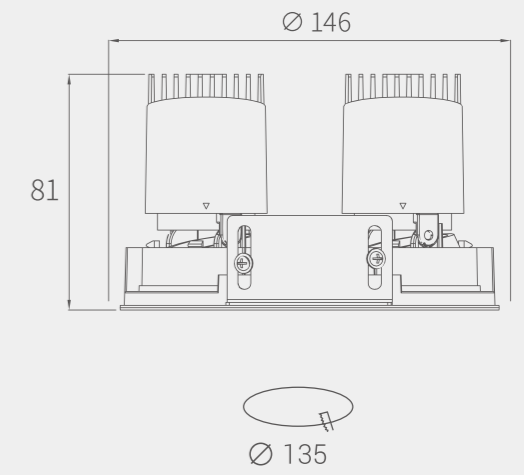
Frameless-Triple



NEW Model: MSLN0636
 Power: 6WX3
 Cutout: 200X60mm
 Size(WxH): 272X68X81mm



Frameless-Double Round



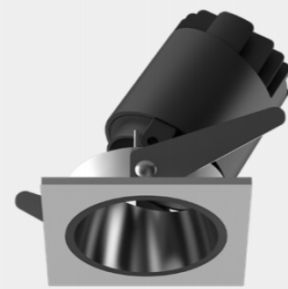
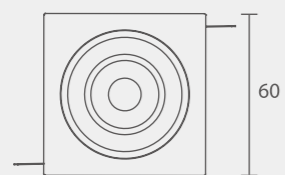
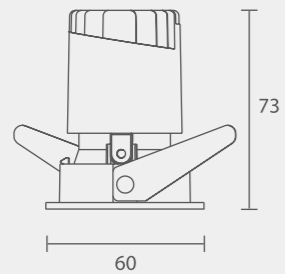
NEW Model: MSLN0624
 Power: 6WX2
 Cutout: Ø135mm
 Size(WxH): Ø146X81mm



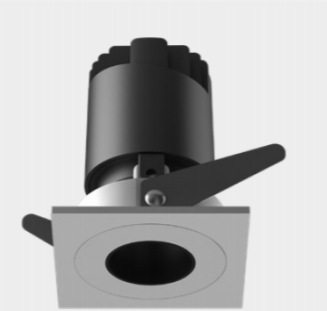
Power
6W



Model: MSLN0613-Framed
Power: 6W
Beam angle: 10° / 15° / 24° / 38°
Cutout: Ø50mm
Size(WxLxH): 60X60X73mm



Adjustable



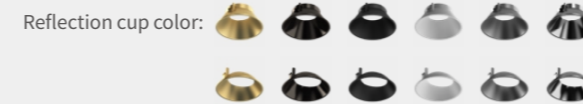
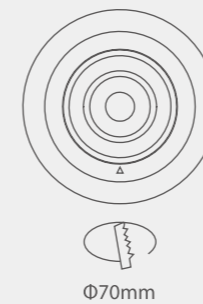
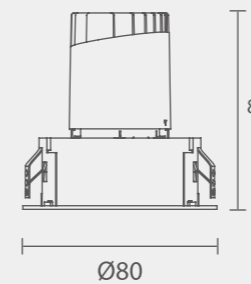
Circular Hole



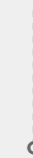
Elliptical Hole



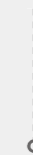
Model: MSLN0614-Framed
Power: 6W
Beam angle: 10° / 15° / 24° / 38°
Cutout: Ø70mm
Size(WxH): Ø80X81mm



Adjustable



Circular Hole



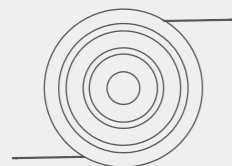
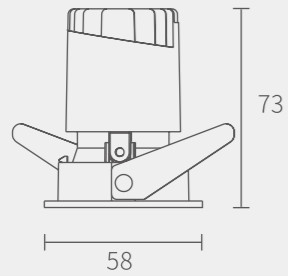
Elliptical Hole



Power
6W



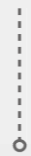
Model: MSLN0611-Framed
Power: 6W
Beam angle: 10° / 15°/24° / 38°
Cutout: Ø50mm
Size(WxLxH): 58X73mm



Ø50mm



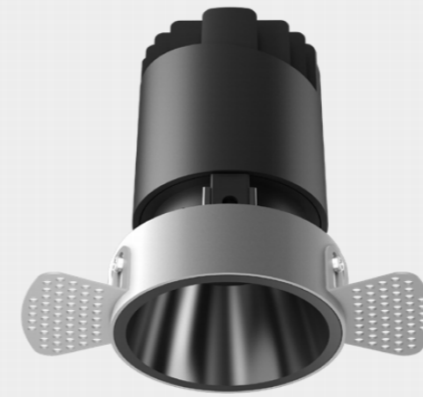
Adjustable



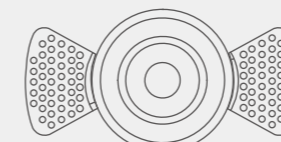
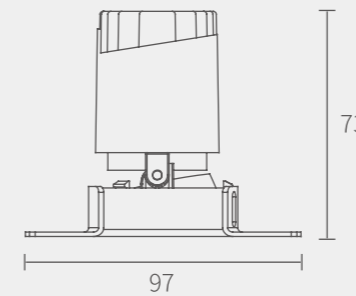
Circular Hole



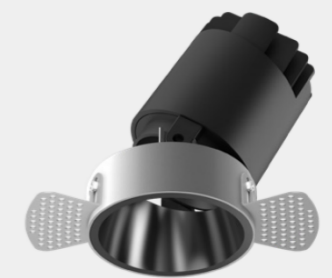
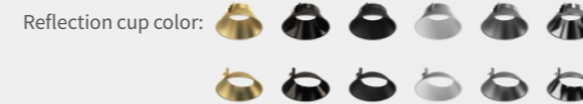
Elliptical Hole



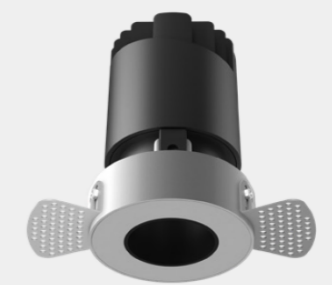
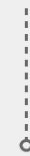
Model: MSLN0612-Frameless
Power: 6W
Beam angle: 10° /15° /24° / 38°
Cutout: Ø52mm
Size(WxLxH): 97X73mm



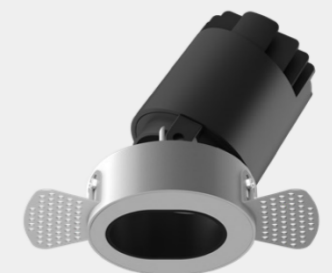
Ø52mm



Adjustable



Circular Hole

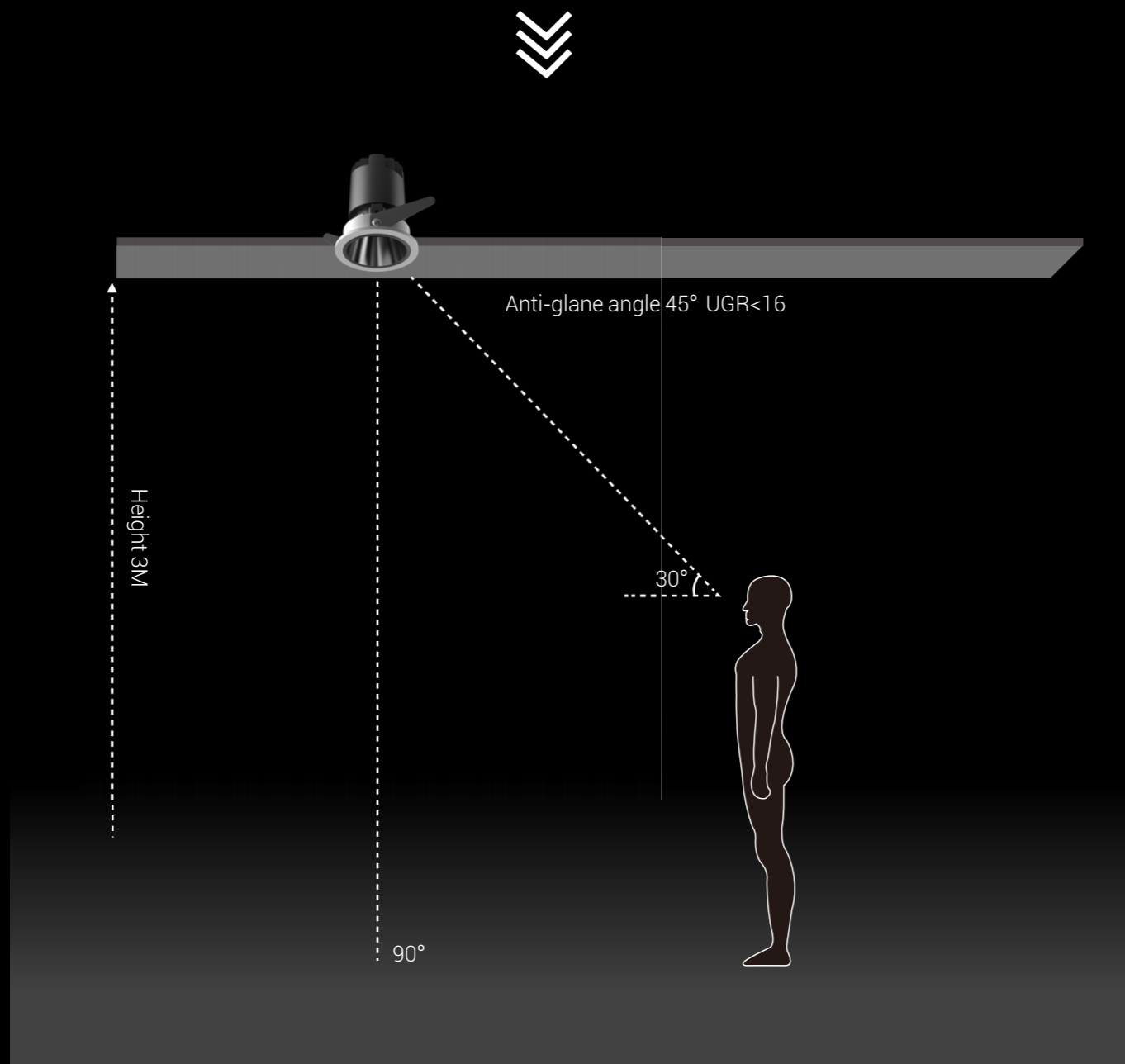


Elliptical Hole



Anti-glare Function Analysis

Anti-glare angle > 30 degree to protect the eyes



Different Beam Angle Different light effect



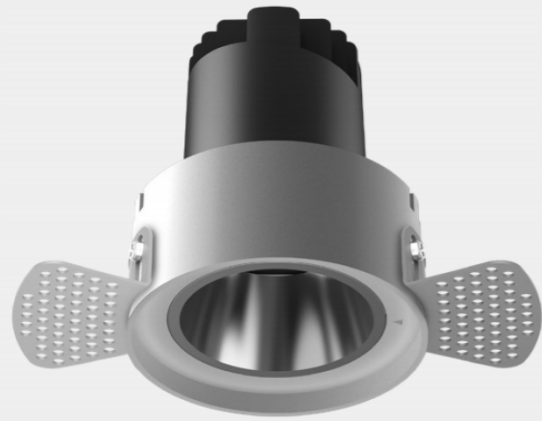
Straight light effect



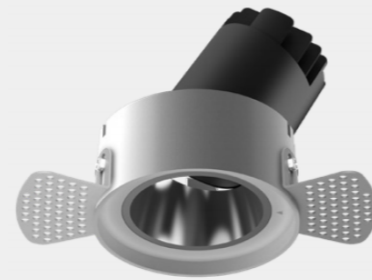
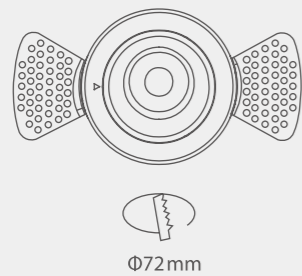
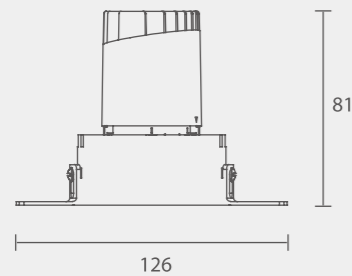
Wall washer light effect



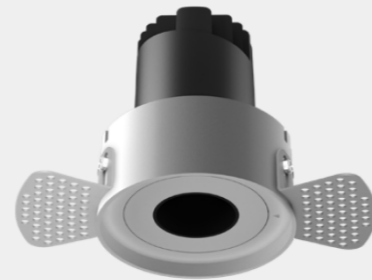
Power
6W



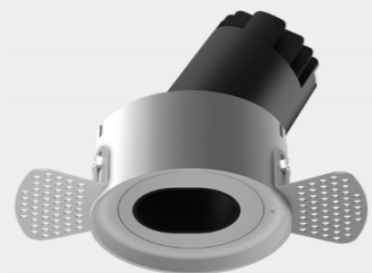
Model: MSLN0615-Frameless
Power: 6W
Beam angle: 10° / 15°/24° / 38°
Cutout: Ø72mm
Size(WxH): 126X81mm



Adjustable



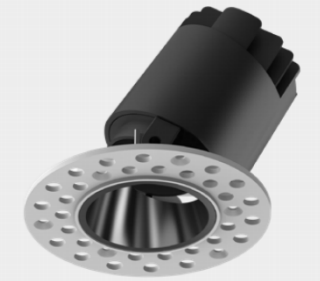
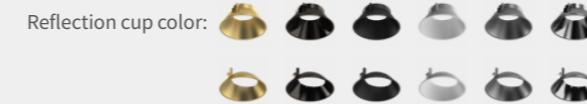
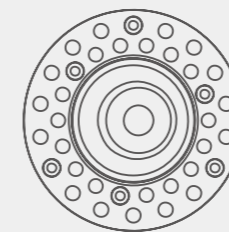
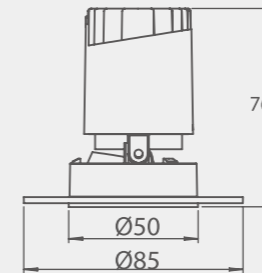
Circular Hole



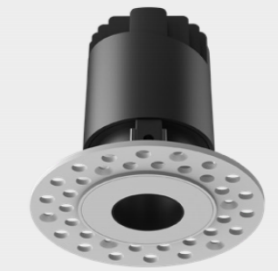
Elliptical Hole



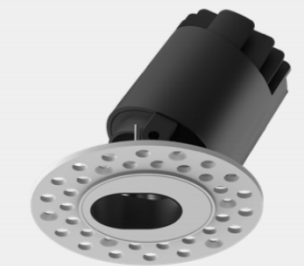
Model: MSLN0616-Frameless
Power: 6W
Beam angle: 10° / 15°/24° / 38°
Cutout: Ø54mm
Size(WxH): Ø85X76mm



Adjustable



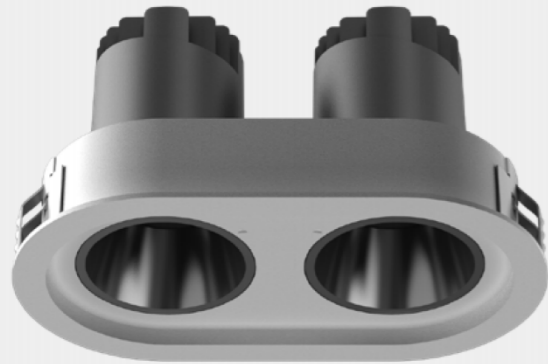
Circular Hole



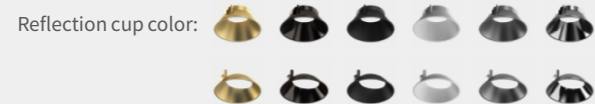
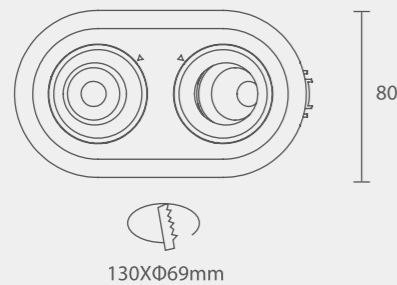
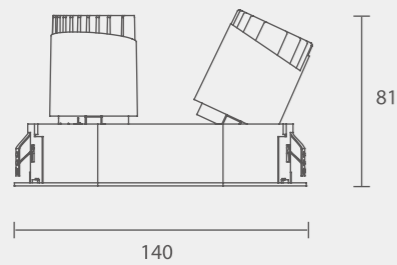
Elliptical Hole



Power
6W



Model: MSLN0621-Framed
Power: 6WX2
Beam angle: 10° / 15° / 24° / 38°
Cutout: 130XØ69mm
Size(WxLxH): 140XØ80X81mm



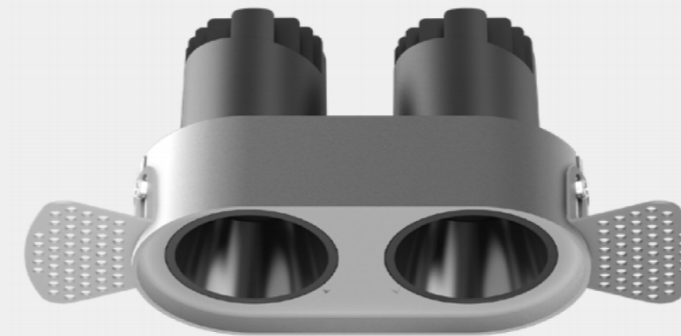
Straight



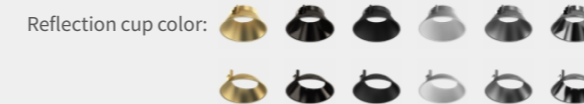
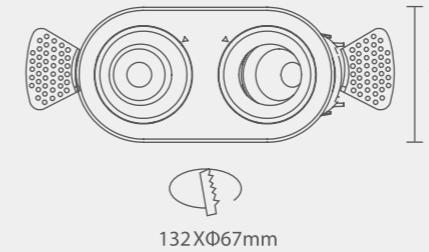
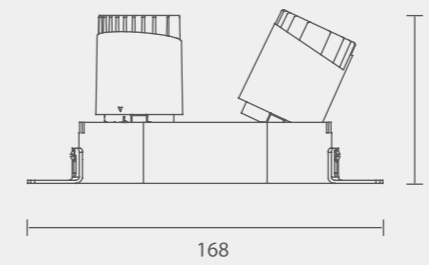
Circular Hole



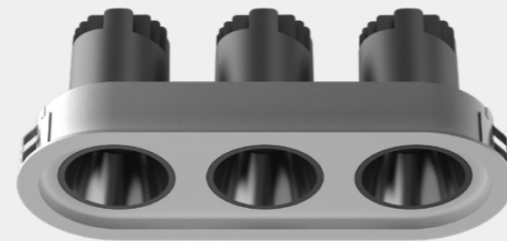
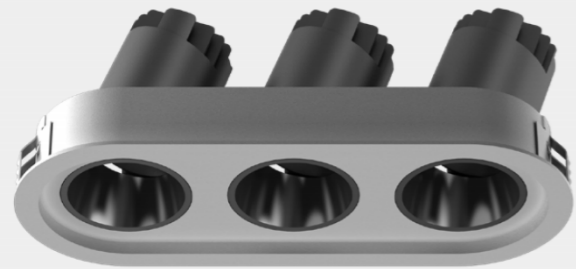
Elliptical Hole



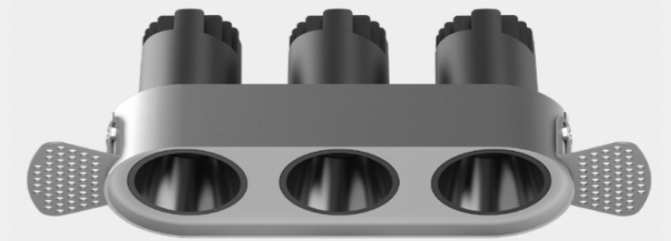
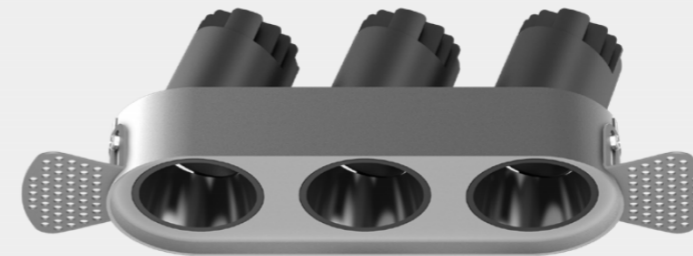
Model: MSLN0622-Frameless
Power: 6WX2
Beam angle: 10° / 15° / 24° / 38°
Cutout: 132XØ67mm
Size(WxLxH): 168X68X81mm



Power
6W



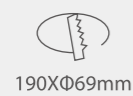
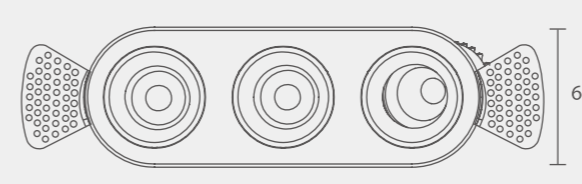
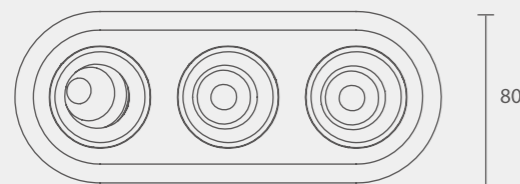
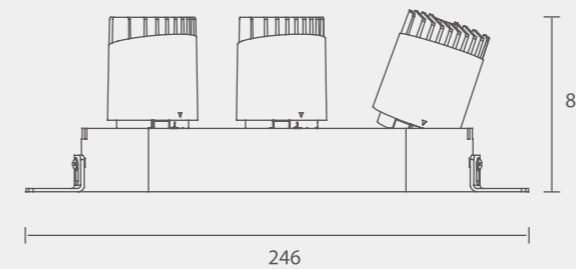
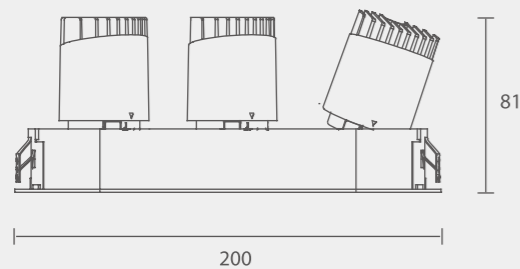
Straight



Straight

Model: MSLN0631-Framed
 Power: 6WX3
 Beam angle: 10° / 15° / 24° / 38°
 Cutout: 190x Ø69mm
 Size(WxLxH): 200XØ80X81mm

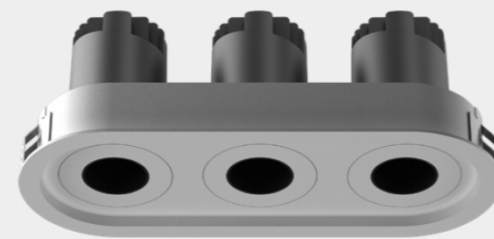
Model: MSLN0632-Frameless
 Power: 6WX3
 Beam angle: 10° / 15° / 24° / 38°
 Cutout: 192 X Ø67mm
 Size(WxLxH): 246X66X81mm



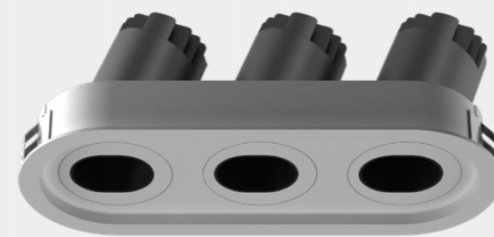
190XØ69mm



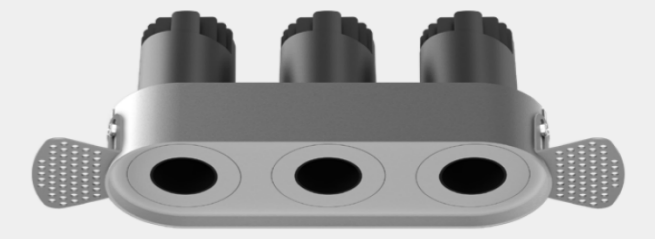
192XØ67mm



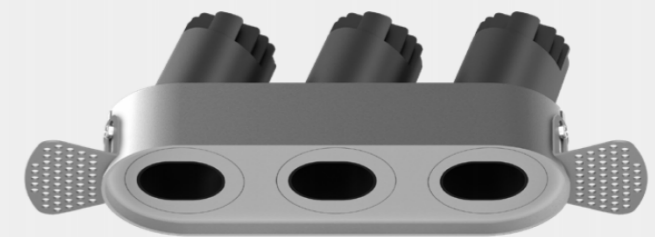
Circular Hole



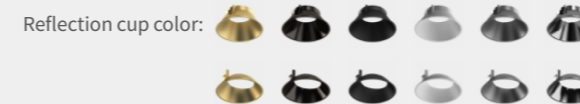
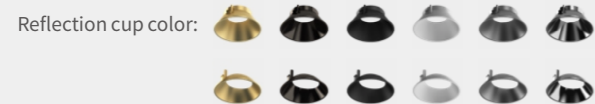
Elliptical Hole



Circular Hole



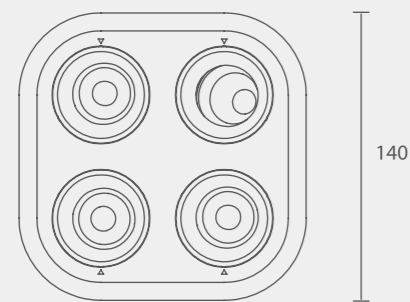
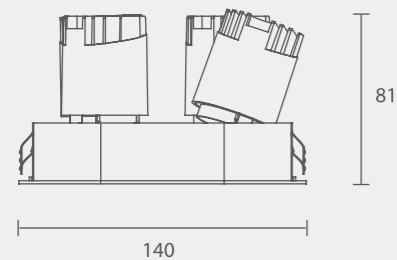
Elliptical Hole



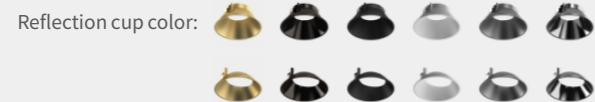
Power
6W



Model: MSLN0641-Framed
Power: 6WX4
Beam angle: 10° / 15° / 24° / 38°
Cutout: 130X130mm-R34.5
Size(WxLxH): 140X140X81mm



130X130mm-R34.5



Straight



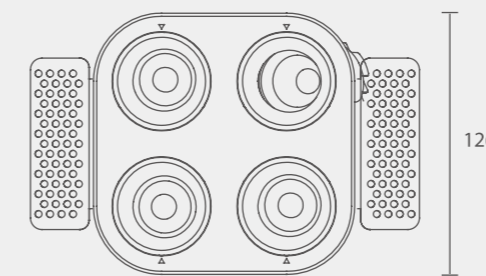
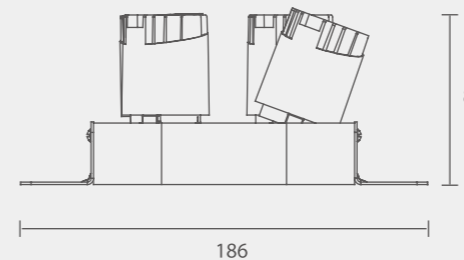
Circular Hole



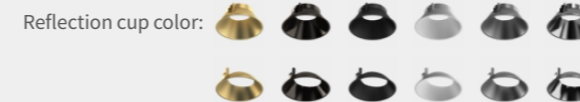
Elliptical Hole



Model: MSLN0642-Frameless
Power: 6WX4
Beam angle: 10° / 15° / 24° / 38°
Cutout: Ø132X127 mm-R35
Size(WxLxH): 186X126X81mm



Ø132 x127 mm-R35



Straight



Circular Hole



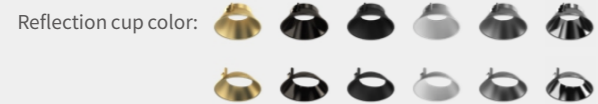
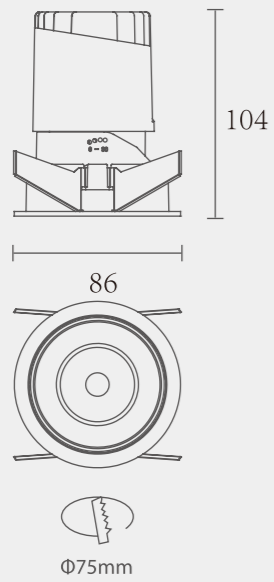
Elliptical Hole



Power
12W



Model: MSLN1211-Framed
Power: 12W
Beam angle: 10° / 15° / 24° / 38°
Cutout: Ø75mm
Size(WxH): Ø86X104mm



Adjustable



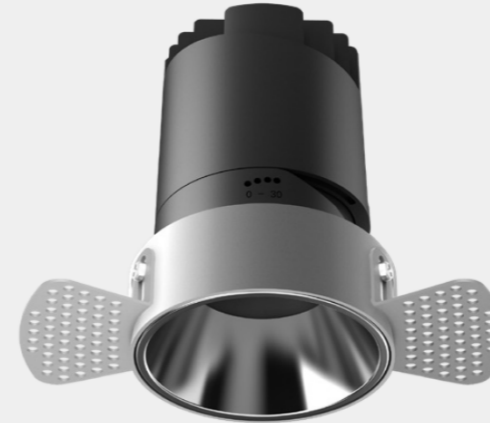
Circular Hole



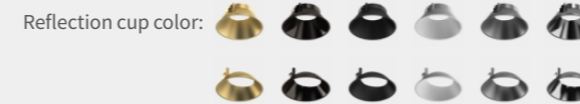
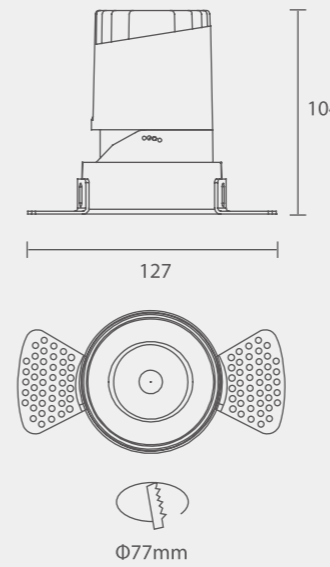
Elliptical Hole



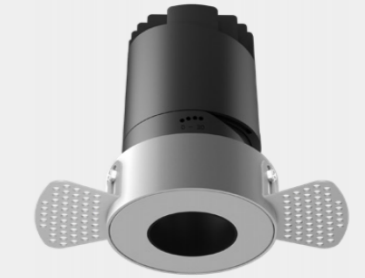
MSLN1212-Framed
Anti-glare Hole



Model: MSLN1213-Framed
Power: 12W
Beam angle: 10° / 15° / 24° / 38°
Cutout: Ø77mm
Size(WxH): 127X104mm



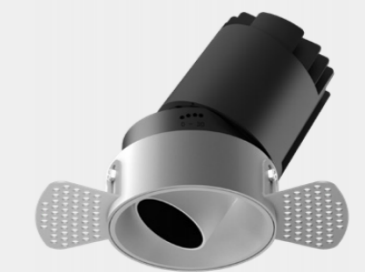
Adjustable



Circular Hole



Elliptical Hole



MSLN1214-Frameless
Anti-glare Hole



Power
12W



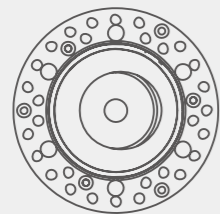
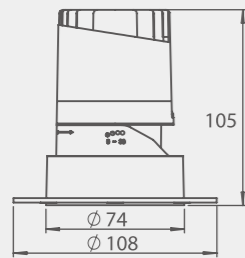
NEW Model: MSLN1215-Frameless

Power: 12W

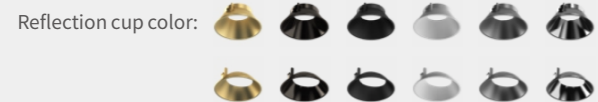
Beam angle: 10° / 15° / 24° / 38°

Cutout: Ø75mm

Size(WxH): Ø108X105mm



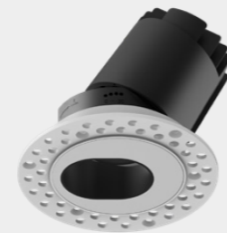
Ø75mm



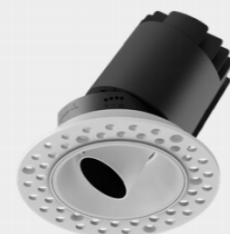
Adjustable



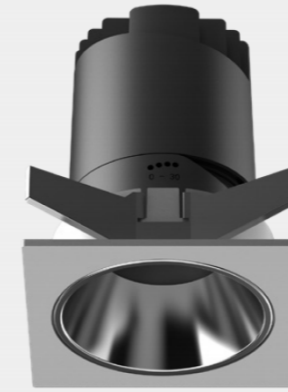
Circular Hole



Elliptical Hole



MSLN1216-Frameless
Anti-glare Hole



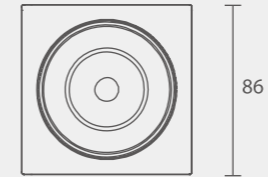
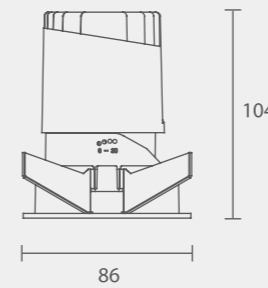
Model: MSLN1217-Framed

Power: 12W

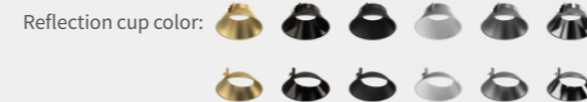
Beam angle: 10°/15°/24°/38°/50°

Cutout: Ø75mm

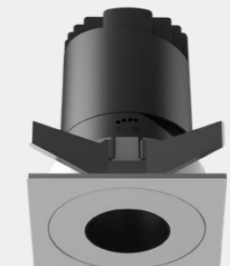
Size(WxLxH): 86X86X104mm



Ø75mm



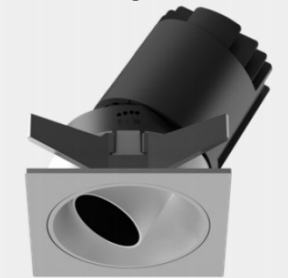
Adjustable



Circular Hole



Elliptical Hole



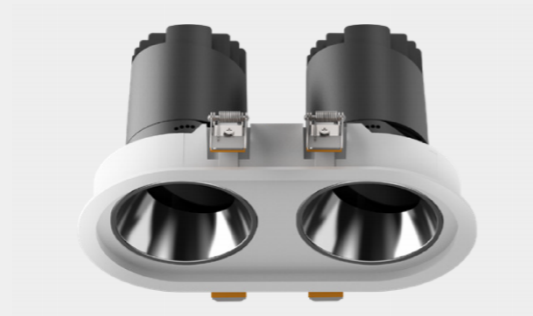
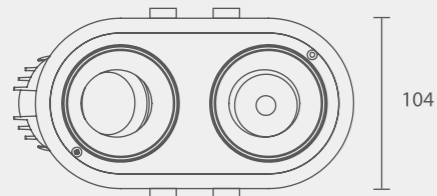
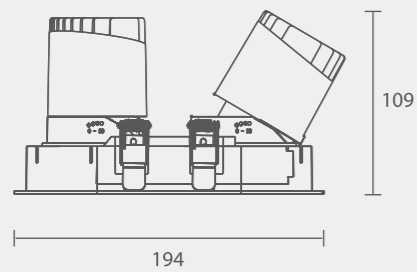
MSLN1218-Framed
Anti-glare Hole



Power
12W



Model: MSLN1221-Framed
Power: 12WX2
Beam angle: 10°/15°/24°/38°/50°
Cutout: 180XØ96mm
Size(WxLxH): 194X104X109mm



Straight



Circular Hole



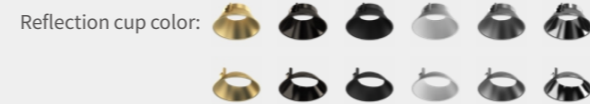
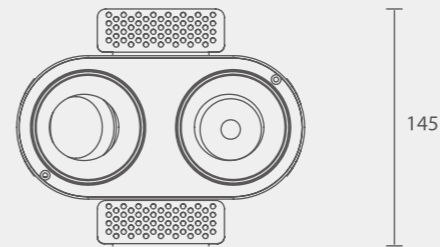
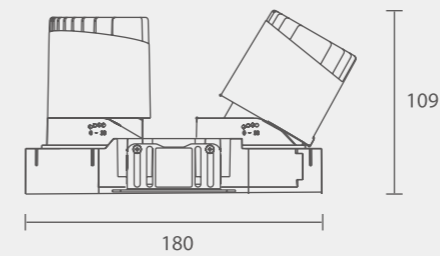
Elliptical Hole



MSLN 1222-Framed
Anti-glare Hole



Model: MSLN1223-Frameless
Power: 12WX2
Beam angle: 10°/15°/24°/38°/50°
Cutout: 180XØ96mm
Size(WxLxH): 180X145X109mm



Straight



Circular Hole



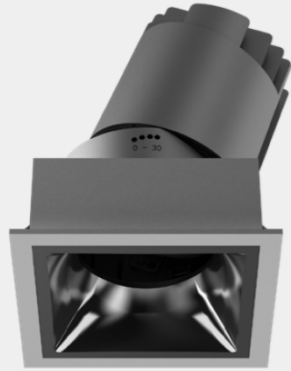
Elliptical Hole



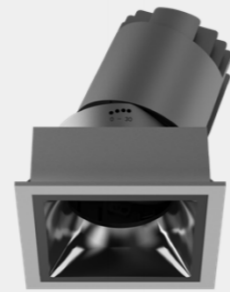
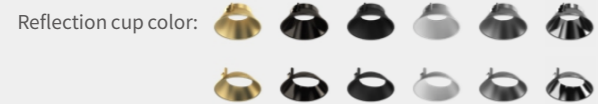
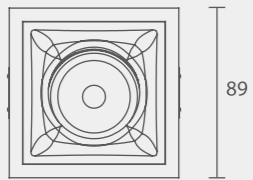
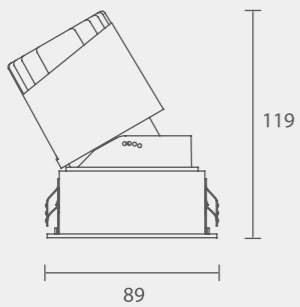
MSLN 1224-Frameless
Anti-glare Hole



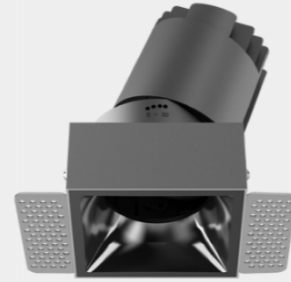
Power
12W



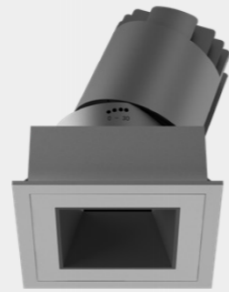
Model: MSLN1219-Framed
Power: 12W
Beam angle: 10°/15°/24°/38°/50°
Framed Cutout: 82X82mm
Frameless Cutout: 82X79mm
Size(WxLxH): 89X89X119mm



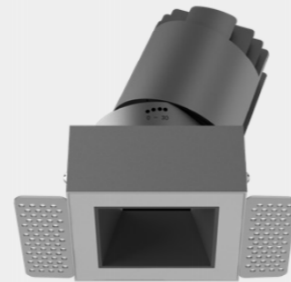
Adjustable



Frameless-Adjustable



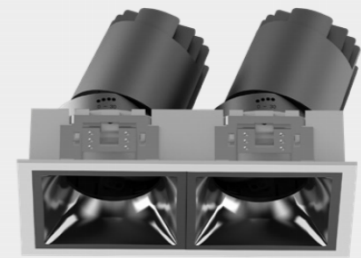
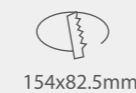
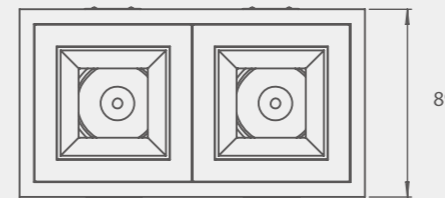
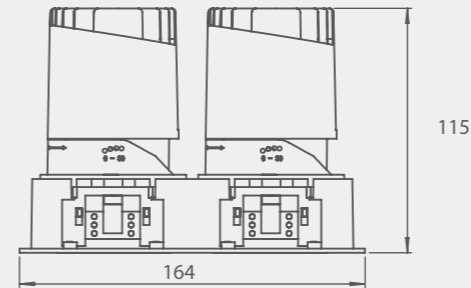
Framed-Square Hole



Frameless-Square Hole



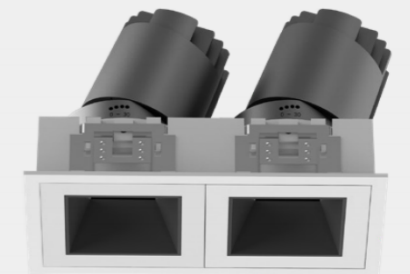
Model: MSLN1225-Framed
Power: 12WX2
Beam angle: 10°/15°/24°/38°/50°
Framed Cutout: 164X82.5mm
Frameless Cutout: 153X84.5mm
Size(WxLxH): 164X89X115mm



Adjustable



Frameless-Square Hole



Framed-Square Hole



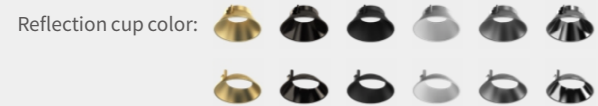
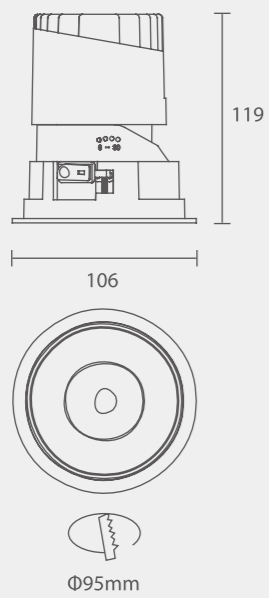
Frameless-Adjustable



Power
20W



Model: MSLN2011-Framed
Power: 20W
Beam angle: 12°/15°/24°/38°/55°
Cutout: Ø95mm
Size(WxH): Ø106X119mm



Adjustable



Circular Hole



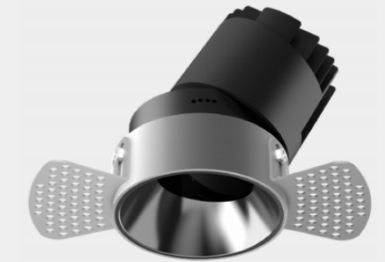
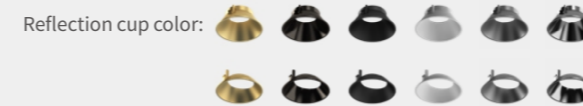
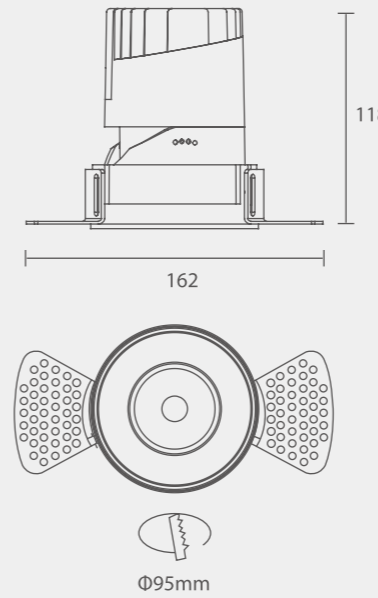
Elliptical Hole



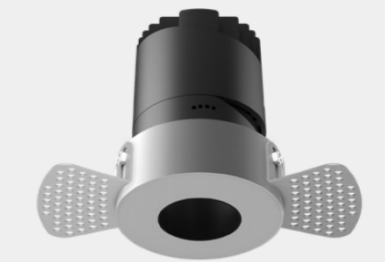
MSLN2012-Framed
Anti-glare Hole



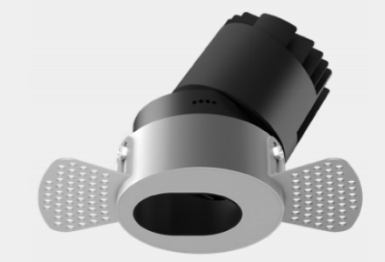
Model: MSLN2013-Frameless
Power: 20W
Beam angle: 12°/15°/24°/38°/55°
Cutout: Ø95mm
Size(WxH): 162X118mm



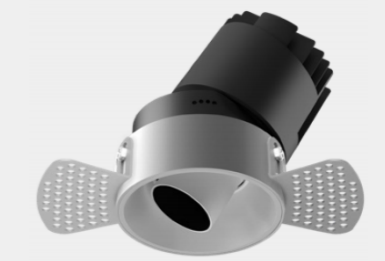
Adjustable



Circular Hole



Elliptical Hole



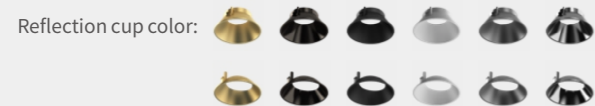
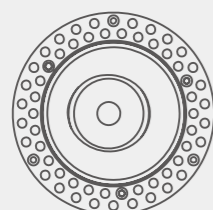
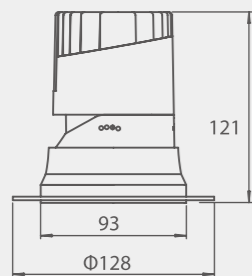
MSLN2014-Frameless
Anti-glare Hole



Power
20W



Model: MSLN2015-Frameless
Power: 20W
Beam angle: 12°/15°/24°/38°/55°
Cutout: Ø95mm
Size(WxLxH): 128X128X121mm



Adjustable



Circular Hole



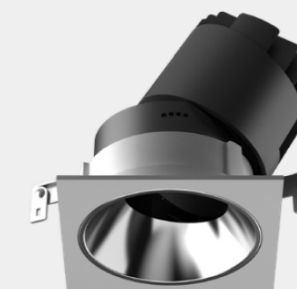
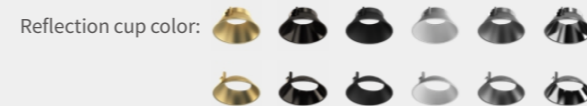
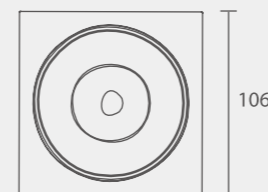
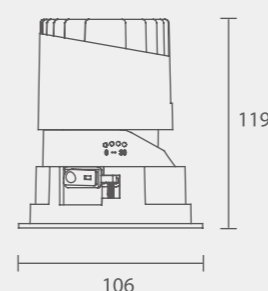
Elliptical Hole



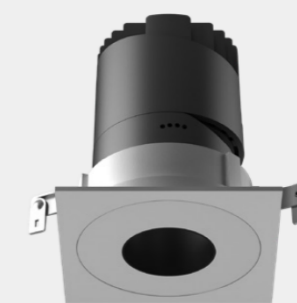
MSLN2016-Frameless
Anti-glare Hole



Model: MSLN2017-Framed
Power: 20W
Beam angle: 12°/15°/24°/38°/55°
Cutout: Ø95mm
Size(WxLxH): 106X106X119mm



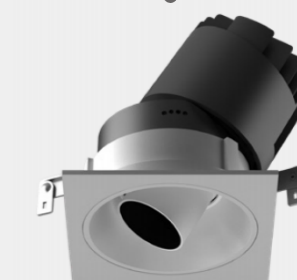
Adjustable



Circular Hole



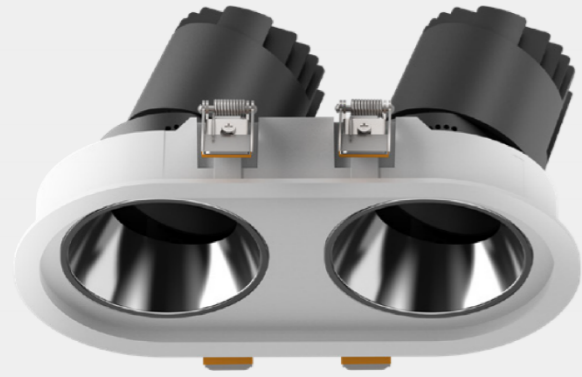
Elliptical Hole



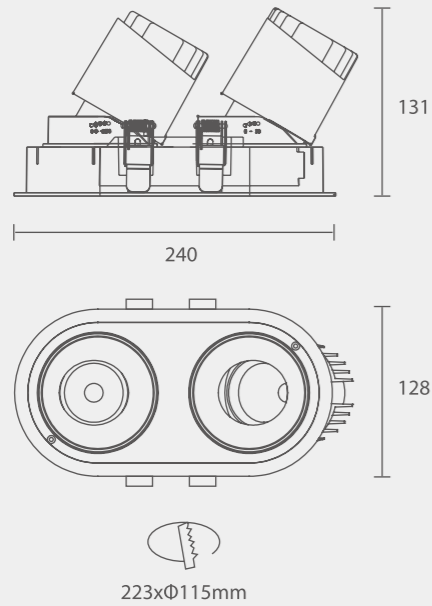
MSLN2018-Framed
Anti-glare Hole



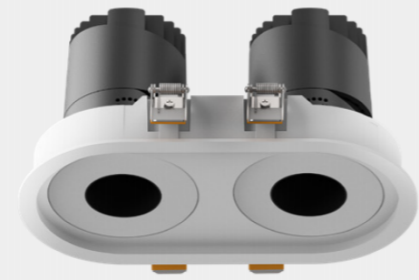
Power
20W



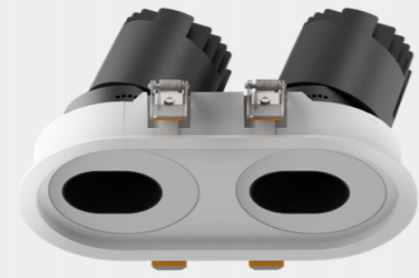
Model: MSLN2021-Framed
Power: 20W X 2
Beam angle: 12°/15°/24°/38°/55°
Cutout: 223XØ115mm
Size(WxH): 240XØ128X131mm



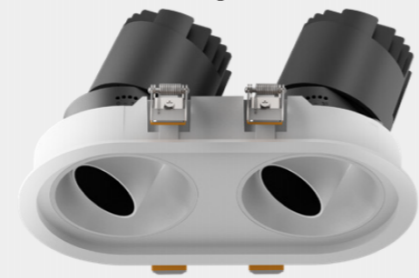
Straight



Circular Hole



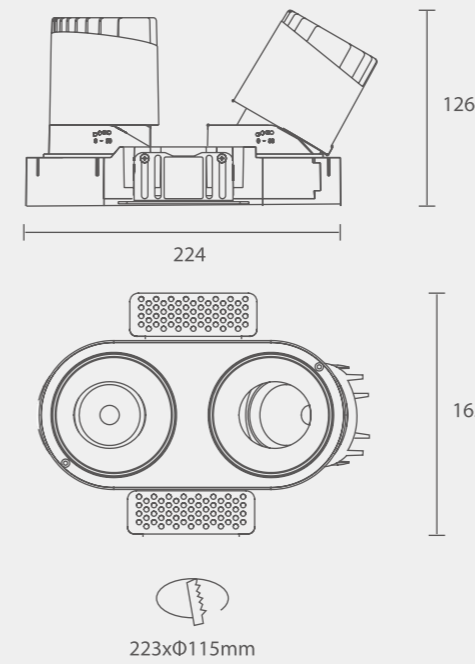
Elliptical Hole



MSLN2022-Framed
Anti-glare Hole



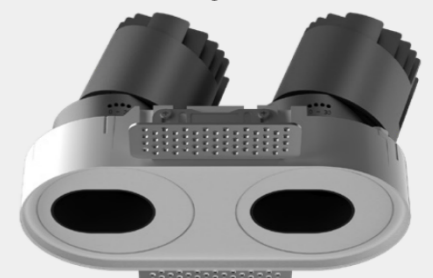
Model: MSLN2023-Frameless
Power: 20W X 2
Beam angle: 12°/15°/24°/38°/55°
Cutout: 223XØ115mm
Size(WxH): 224X165X126mm



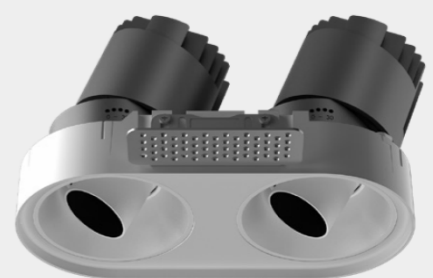
Straight



Circular Hole



Elliptical Hole

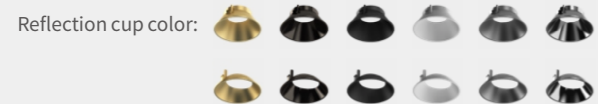
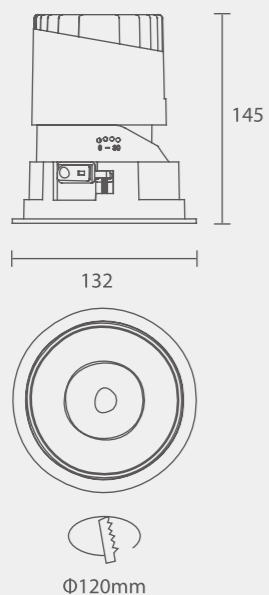


MSLN2024-Frameless
Anti-glare Hole

Power
30W



Model: MSLN3011-Framed
Power: 30W
Beam angle: 10°/15°/24°/38°/55°
Cutout: Ø120mm
Size(WxH): Ø132X145mm



Straight



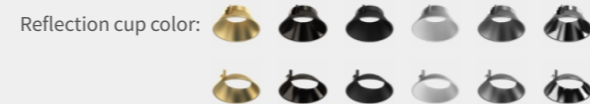
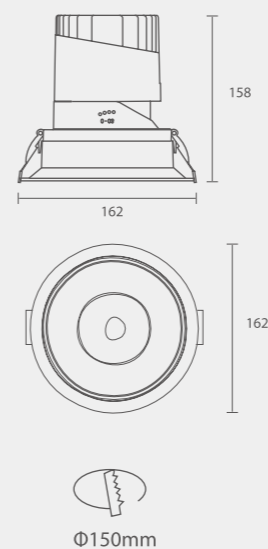
Adjustable



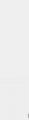
MSLN3012-Framed
Anti-glare Hole



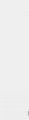
NEW Model: MSLN3013-Framed
Power: 30W
Beam angle: 10°/15°/24°/38°/55°
Cutout: Ø150mm
Size(WxH): Ø162X158mm



Straight

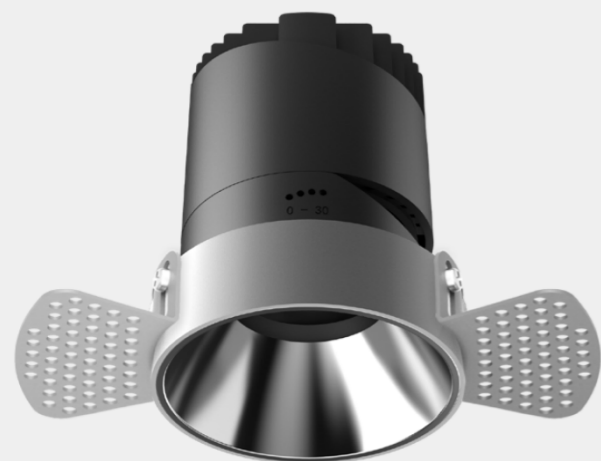


Adjustable

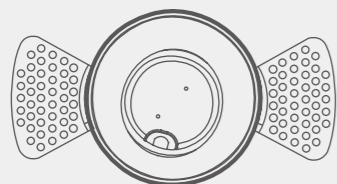
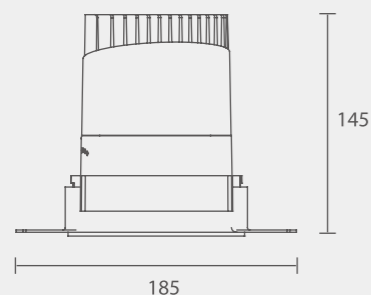


MSLN3014-Framed
Anti-glare Hole

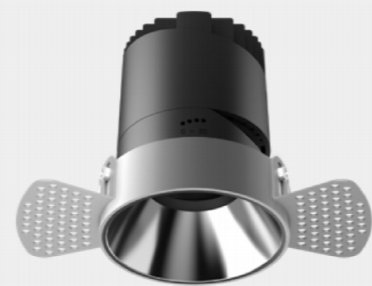
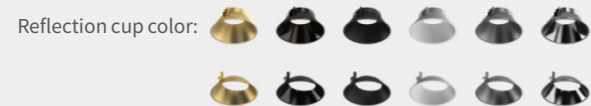
Power
30W



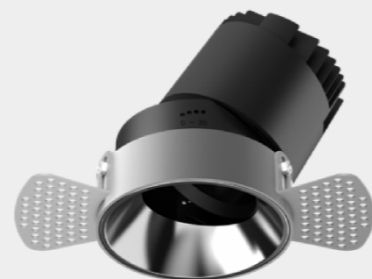
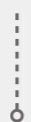
Model: MSLN3015-Frameless
Power: 30W
Beam angle: 10°/15°/24°/38°/55°
Cutout: Ø120mm
Size(WxH): 185X145mm



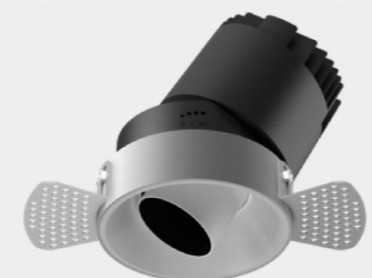
Ø120mm



Straight



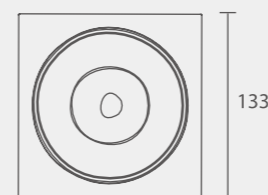
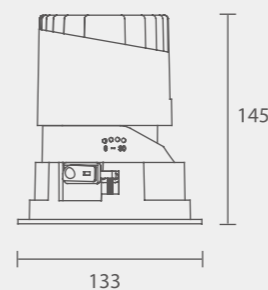
Adjustable



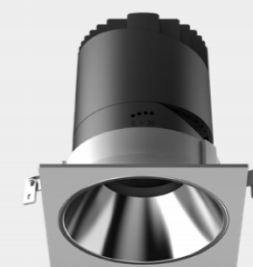
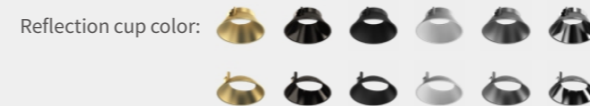
MSLN3016-Frameless
Anti-glare Hole



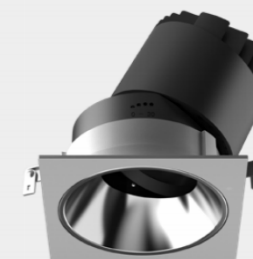
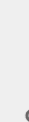
Model: MSLN3017-Framed
Power: 30W
Beam angle: 10°/15°/24°/38°/55°
Cutout: Ø120mm
Size(WxLxH): 133X133X145mm



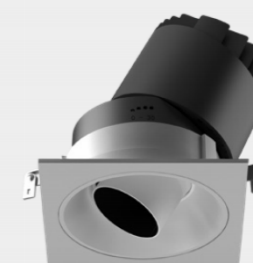
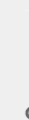
Ø120mm



Straight

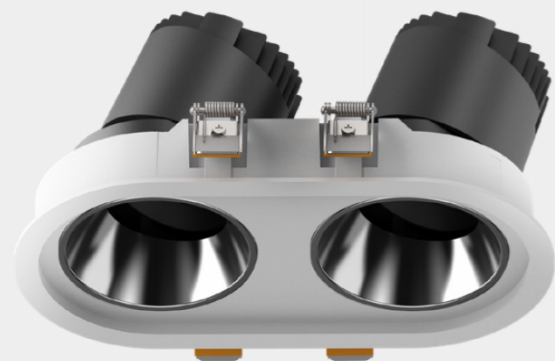


Adjustable

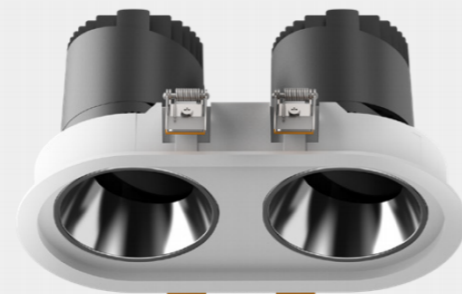
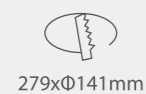
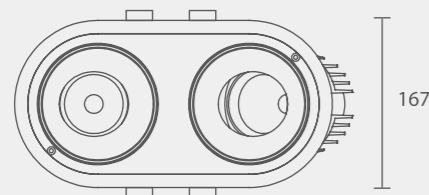
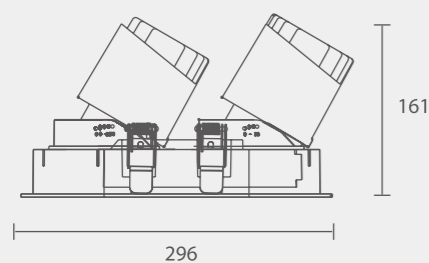


MSLN3018-Framed
Anti-glare Hole

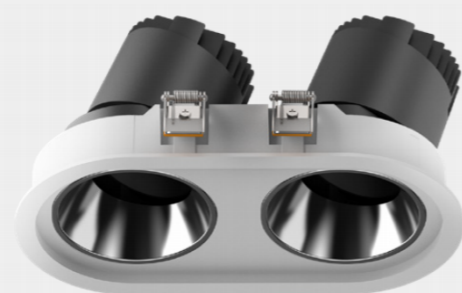
Power
30W



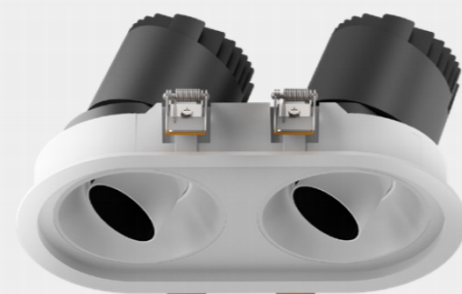
Model: MSLN3021-Framed
Power: 30WX2
Beam angle: 10°/15°/24°/38°/55°
Cutout: 279XØ141mm
Size(WxH): 296XØ167X161mm



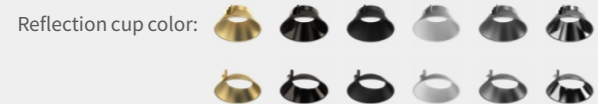
Straight



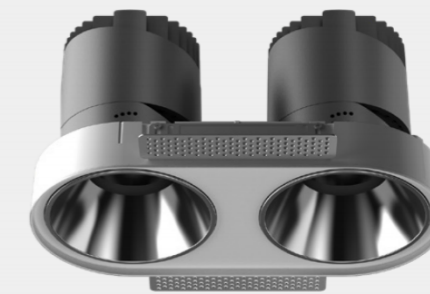
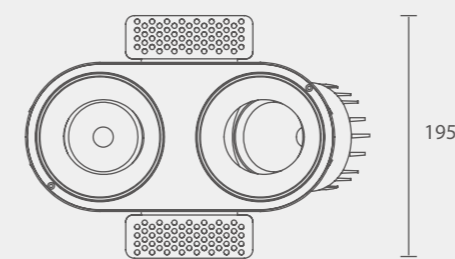
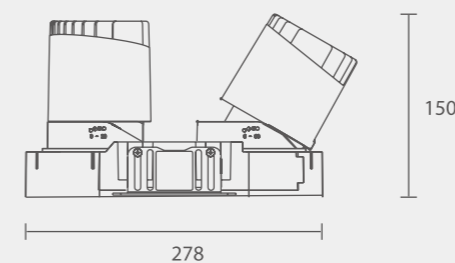
Adjustable



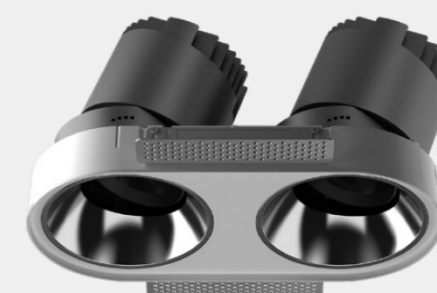
MSLN3022-Framed
Anti-glare Hole



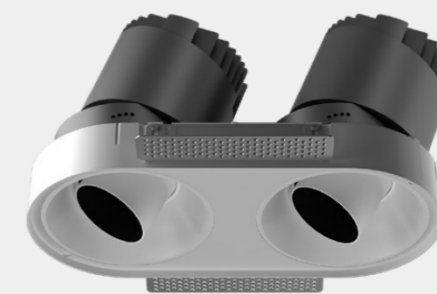
Model: MSLN3023-Frameless
Power: 30WX2
Beam angle: 10°/15°/24°/38°/55°
Cutout: 280XØ141mm
Size(WxH): 278X195X150mm



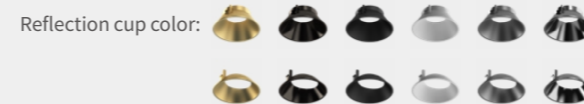
Straight



Adjustable



MSLN3024-Framed
Anti-glare Hole

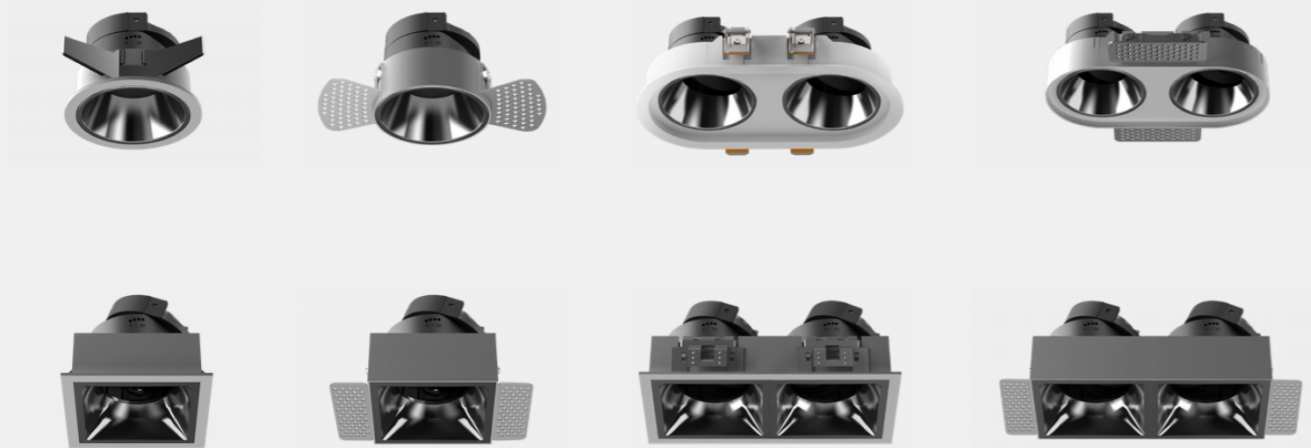


Power
MR16

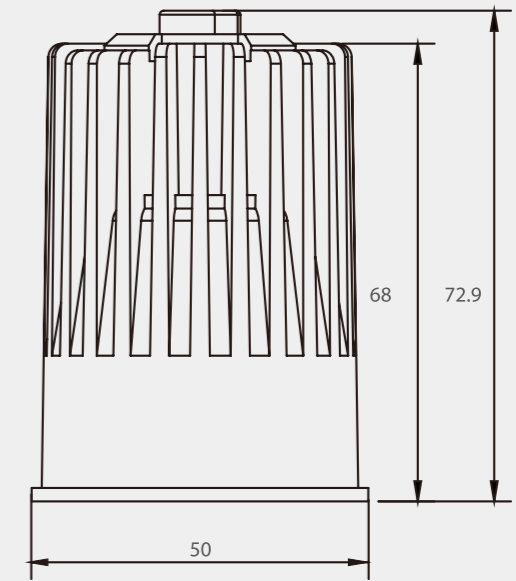
Matching Module / Mr16 / Gu10 Light Source

Matching

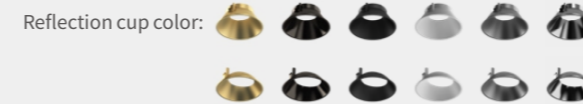
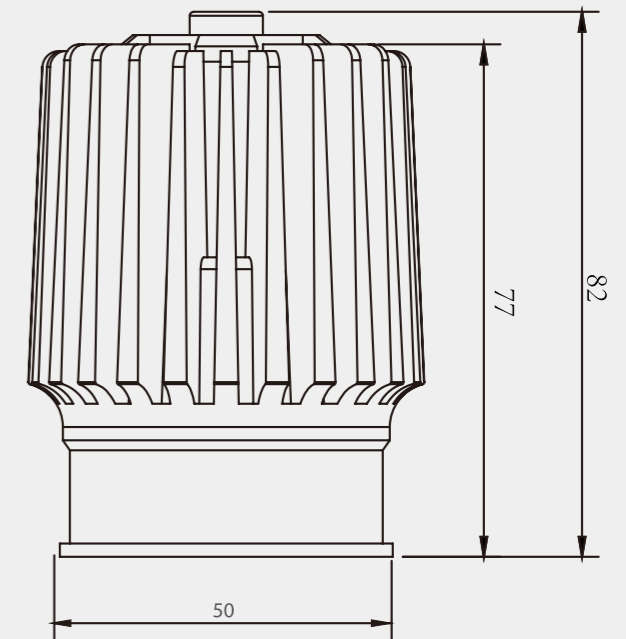
It can be matched with different light source modules
and the combination is changeable



Model: MSMD5008
Power: 8W
Size(WxLxH): Ø50X72.9mm



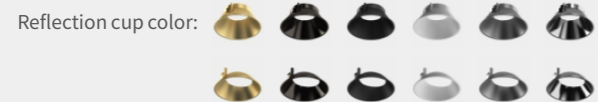
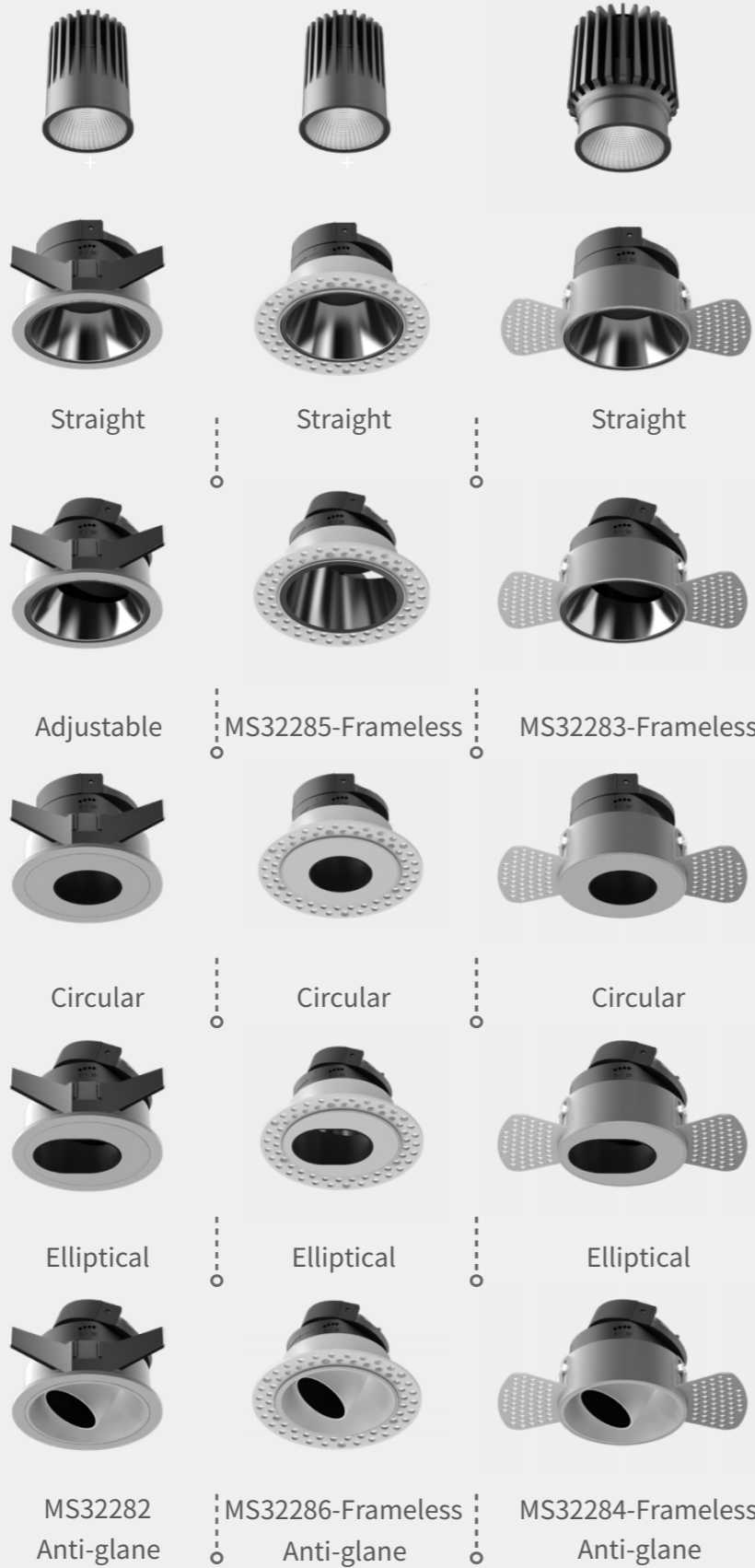
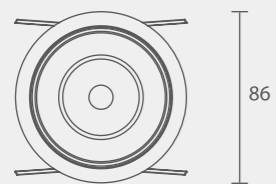
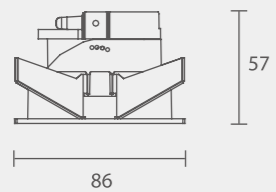
Model: MSMD5012
Power: 12W
Size(WxLxH): Ø50X82mm



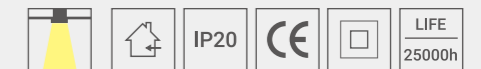
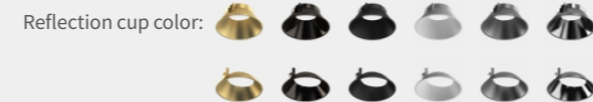
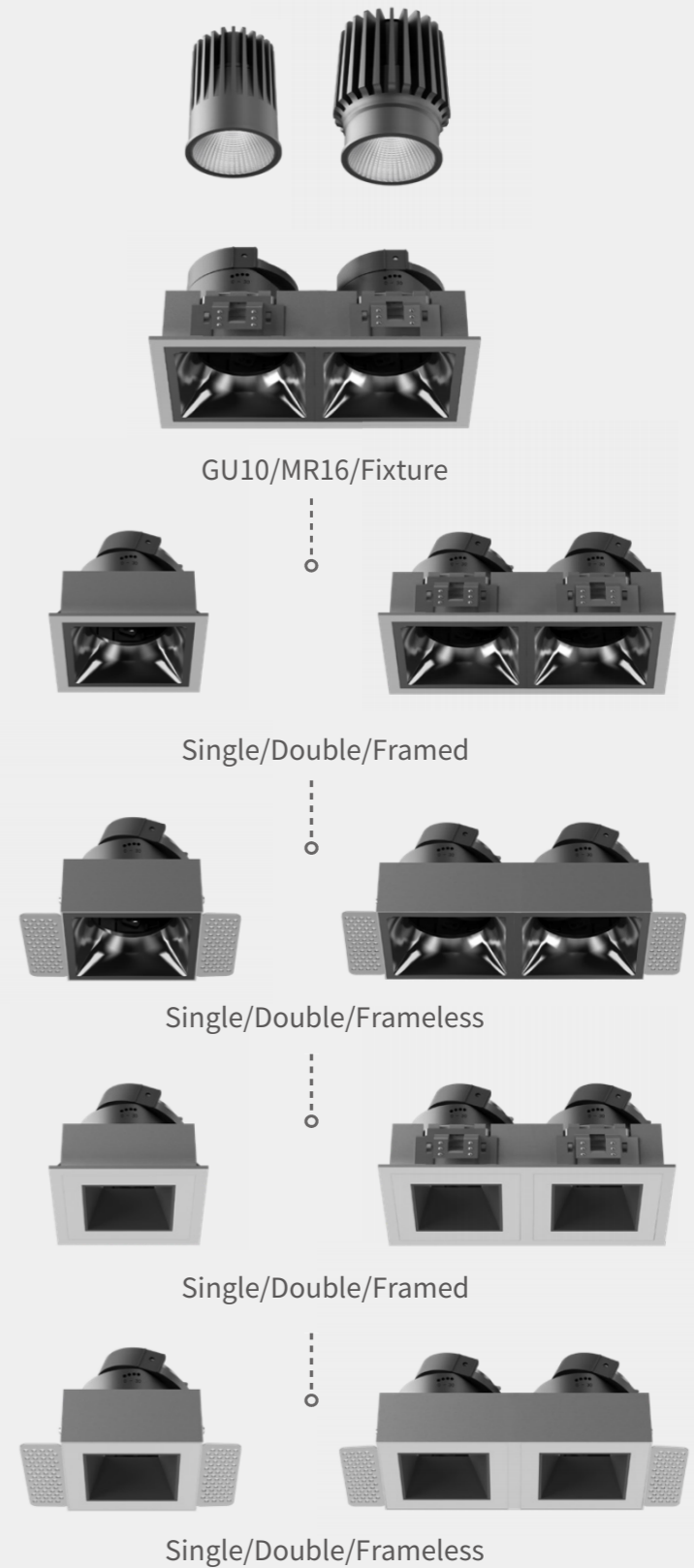
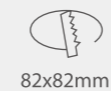
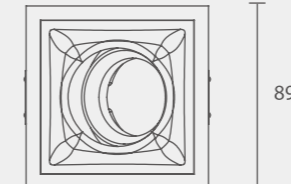
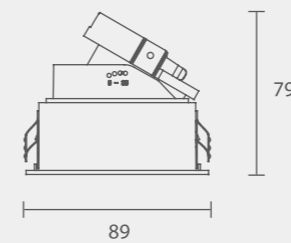
Fixture MR16/GU10



Model: MS32281-Framed
Power: 8W /12W
Cutout: Ø75mm
Size(WxLxH): Ø86X57mm



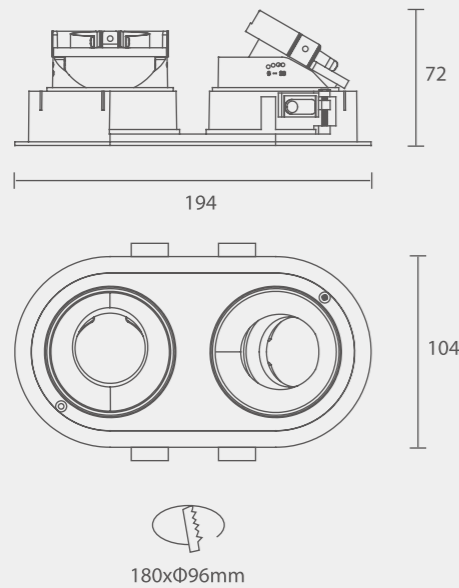
Model: MS32287-Framed
Power: 8W /12W
Cutout: 82X82mm
Size(WxLxH): 89X89X79mm



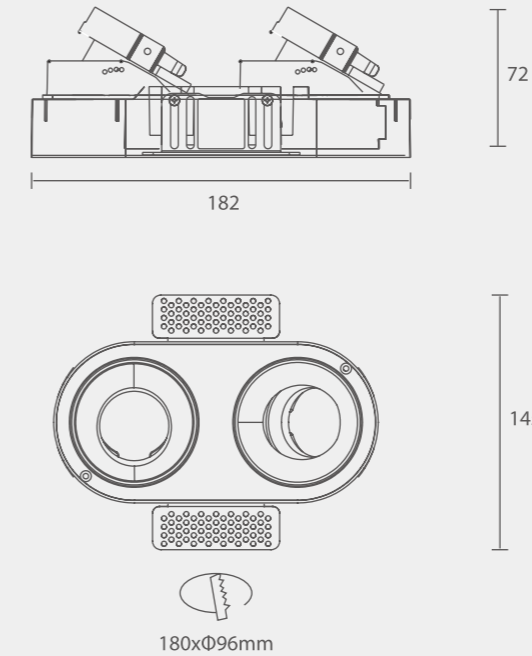
Power
MR16



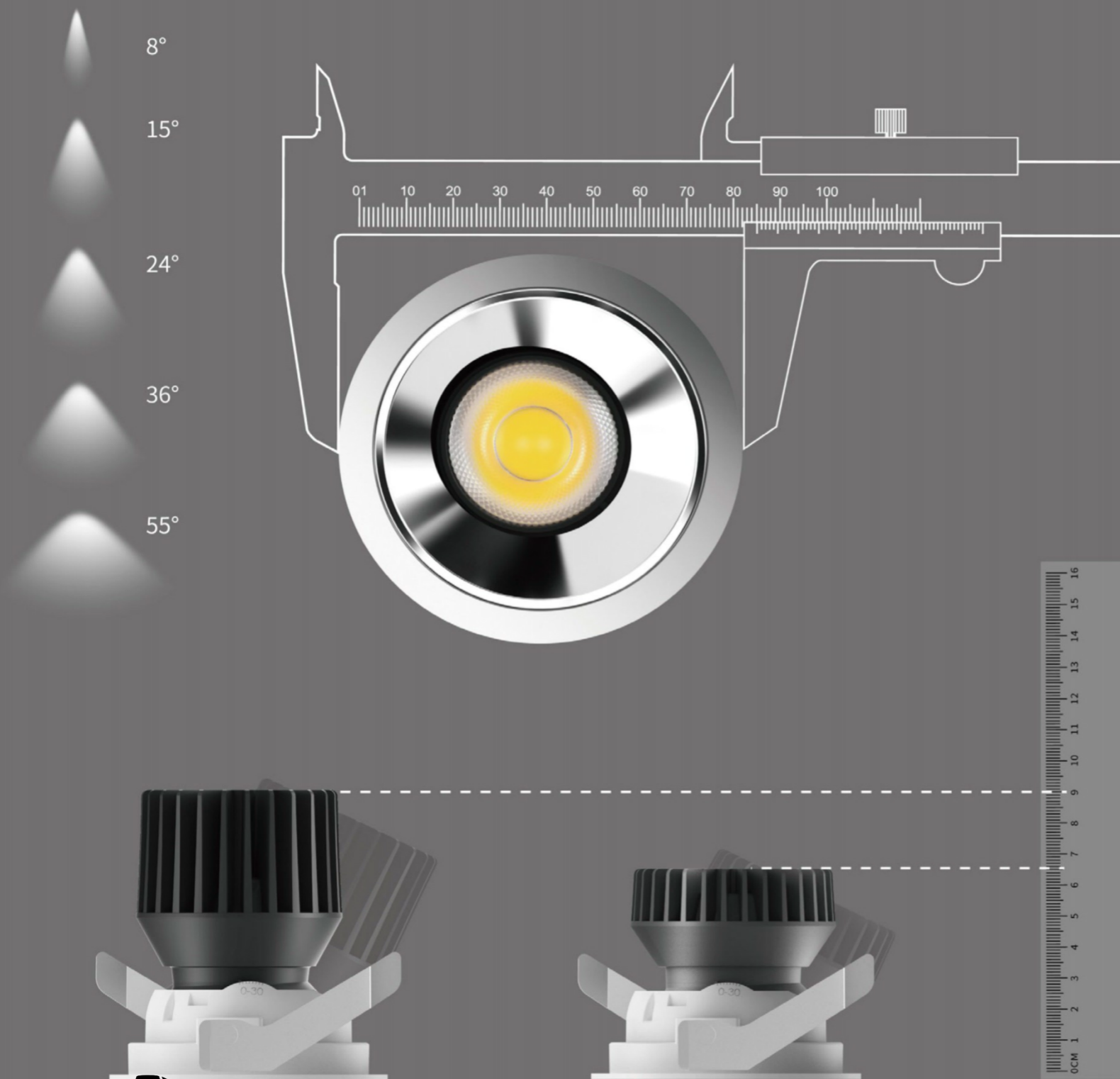
Model: MS32291-Framed
Power: 8WX2/12WX2
Cutout: 180XØ96mm
Size(WxLxH): Ø194X104X72mm



Model: MS32293-Framed
Power: 8WX2/12WX2
Cutout: 180xØ96mm
Size(WxLxH): 182X145X72mm

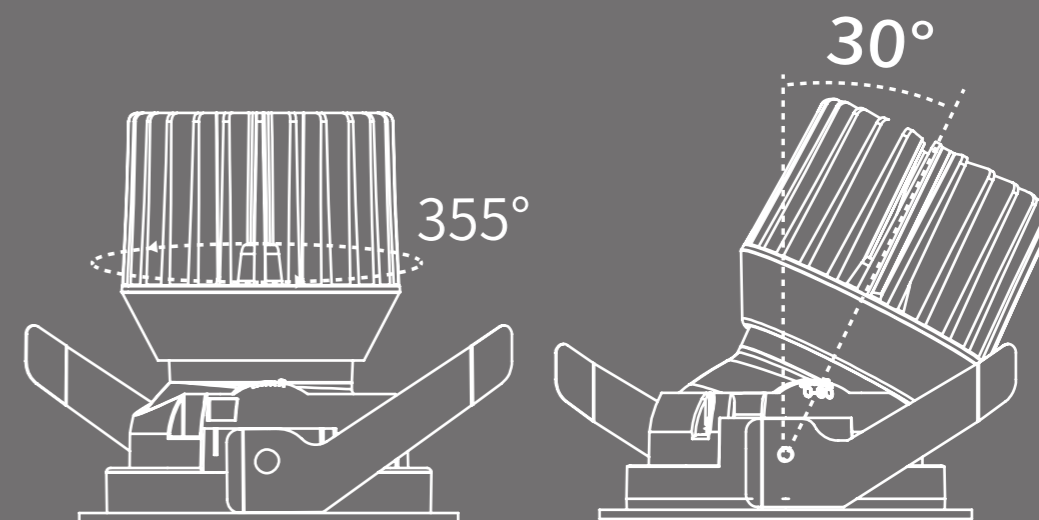


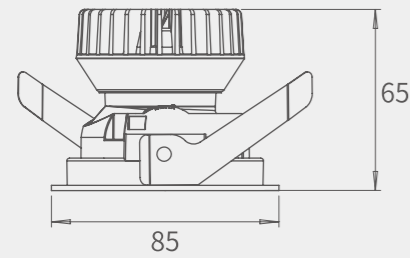
MSMK Series



Luminous efficiency

Rotatable freely-horizontal 35°
vertical 30°
Adjust light as needed to maximize the
value of light effect





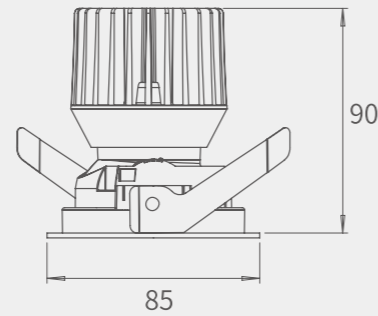
NEW Model: MSMK0811-Framed

Power: 8W

Cutout: Ø75mm

Size(WxH): Ø85X65mm

Beam angle: 8°/15°/24°/36°/55°



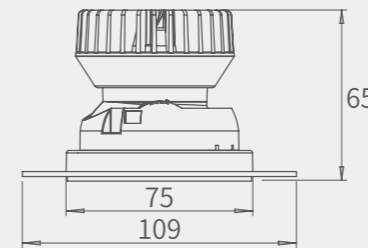
NEW Model: MSMK1211-Framed

Power: 12W

Cutout: Ø75mm

Size(WxH): Ø85X90mm

Beam angle: 8°/15°/24°/36°/55°



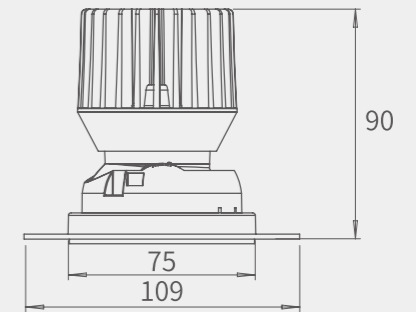
NEW Model: MSMK0812-Frameless

Power: 8W

Cutout: Ø75mm

Size(WxH): Ø109X65mm

Beam angle: 8°/15°/24°/36°/55°



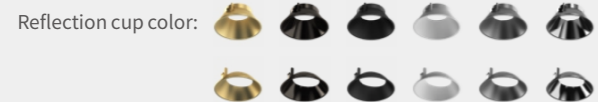
NEW Model: MSMK1212-Frameless

Power: 12W

Cutout: Ø75mm

Size(WxH): Ø109X90mm

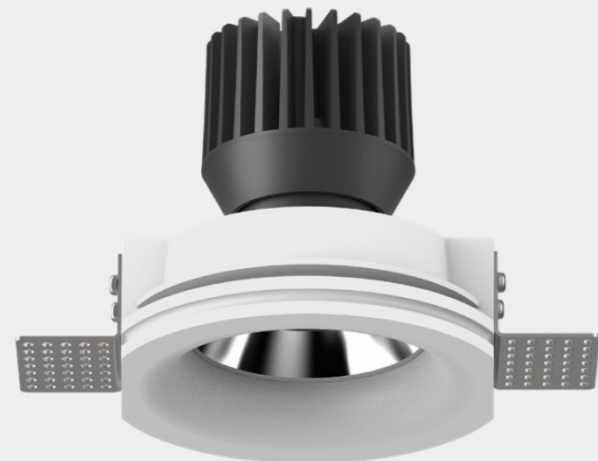
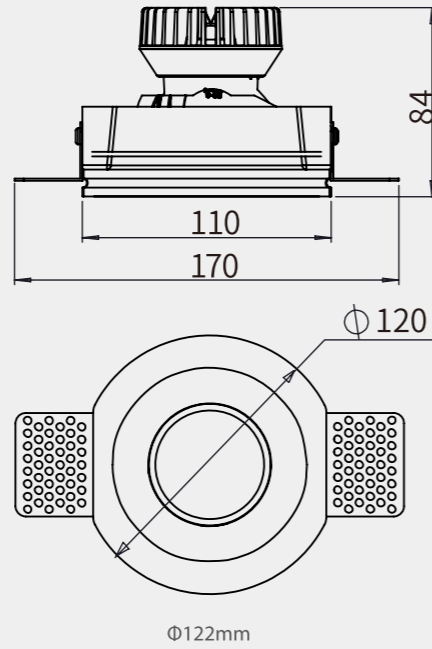
Beam angle: 8°/15°/24°/36°/55°



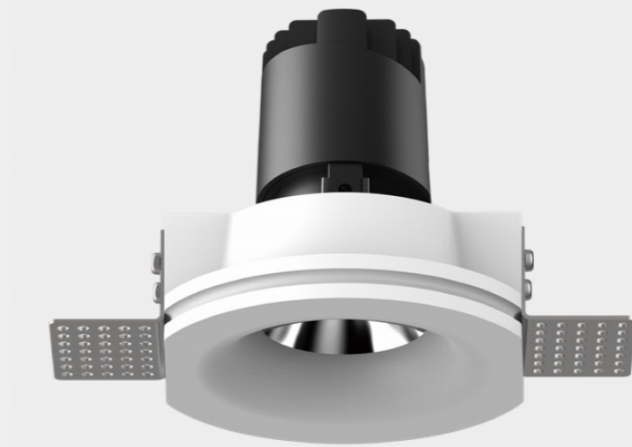
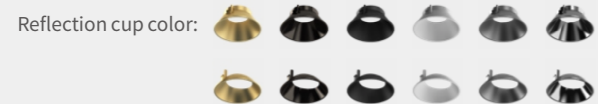
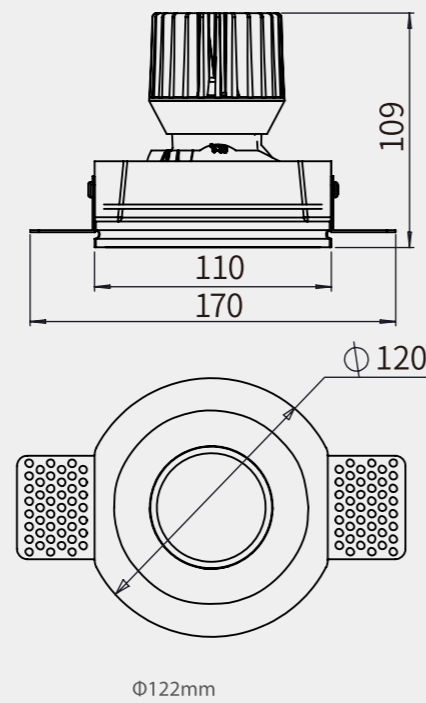
MSMK SERIES



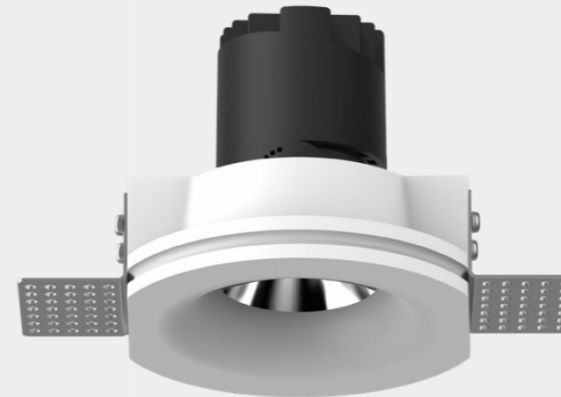
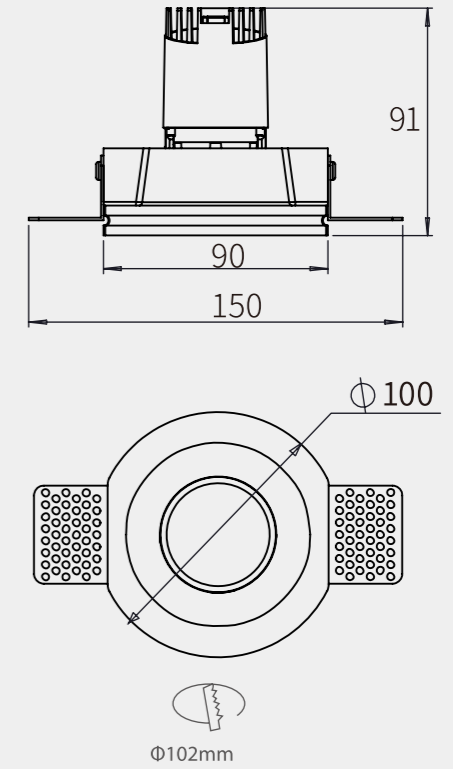
NEW Model: MSMK0813-Gypsum
 Power: 8W
 Cutout: Ø122mm
 Size(WxH): Ø110X84mm
 Beam angle: 8°/15°/24°/36°/55°



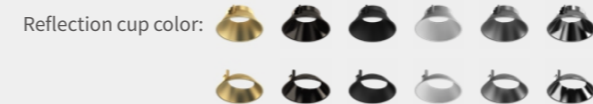
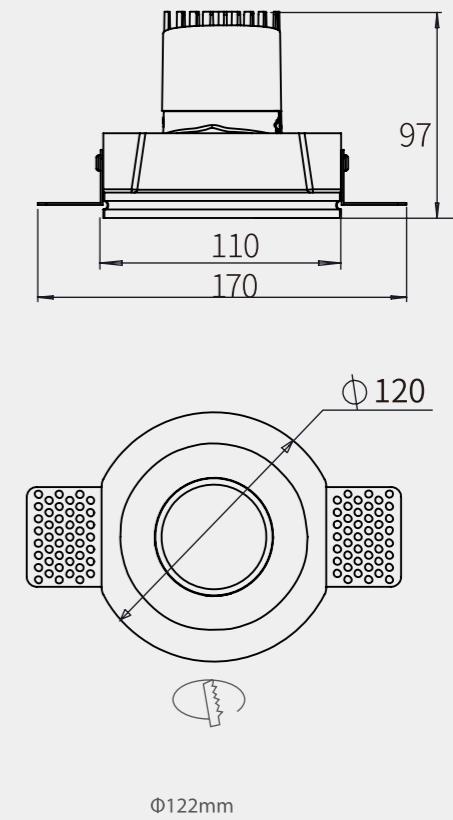
NEW Model: MSMK1213-Gypsum
 Power: 12W
 Cutout: Ø122mm
 Size(WxH): Ø170X109mm
 Beam angle: 8°/15°/24°/36°/55°



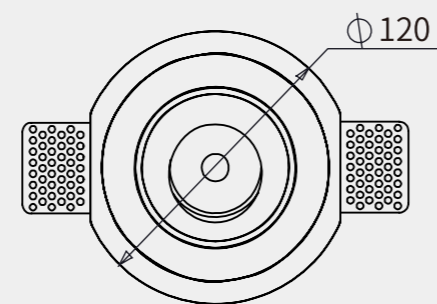
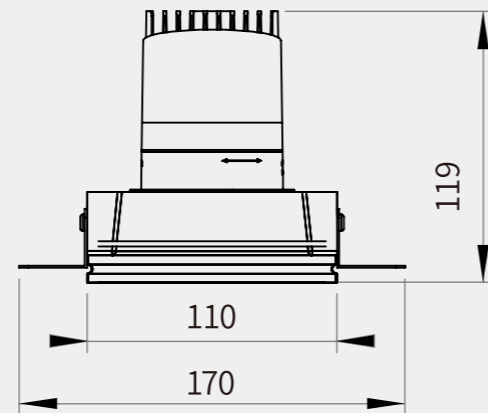
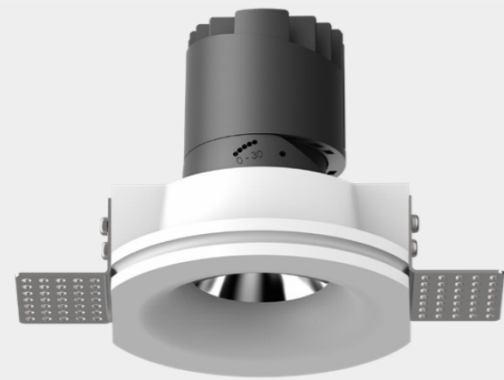
NEW Model: MSMK0611-Gypsum
 Power: 6W
 Cutout: Ø102mm
 Size(WxH): Ø150X91mm
 Beam angle: 8°/15°/24°/36°/55°



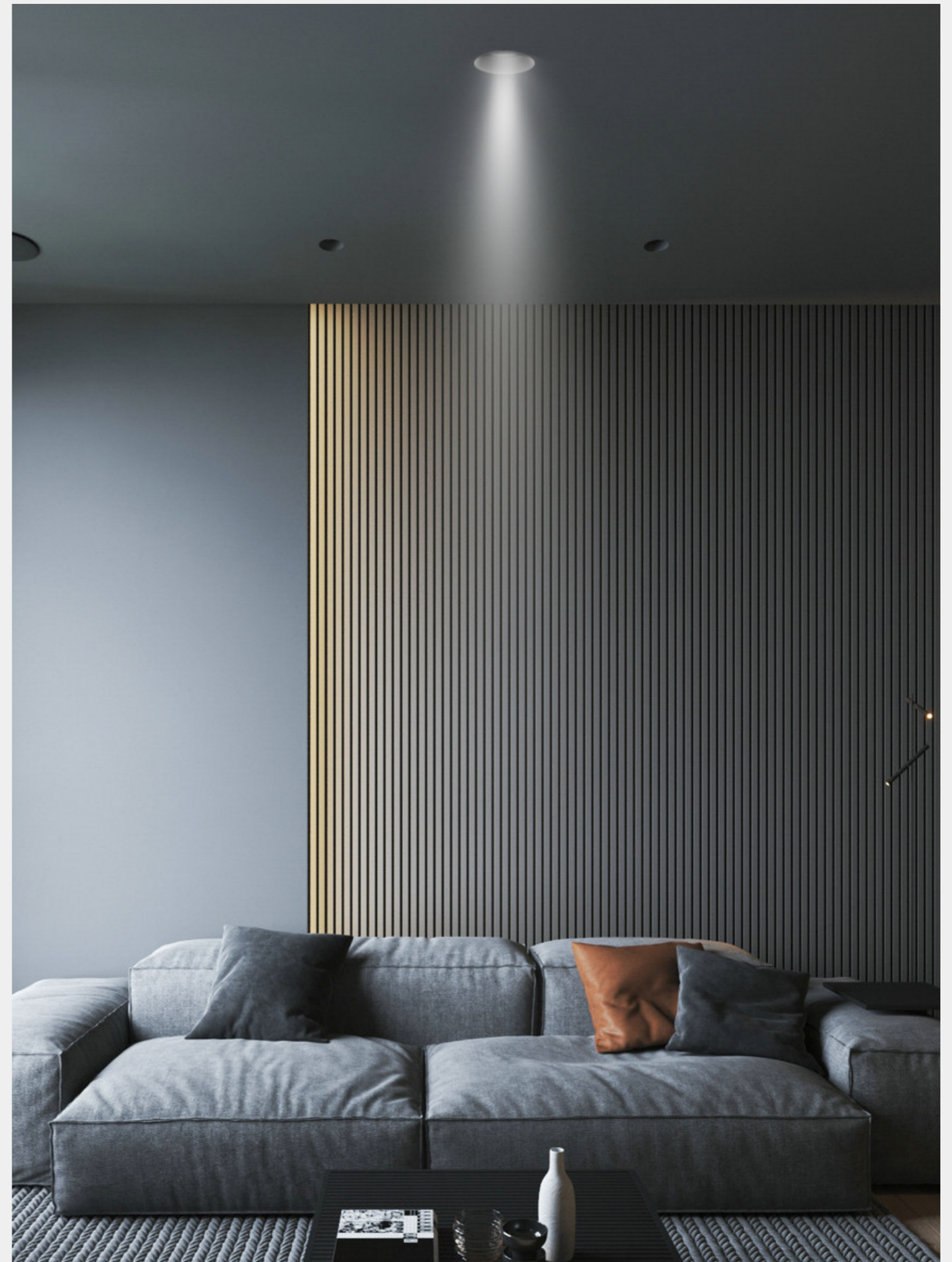
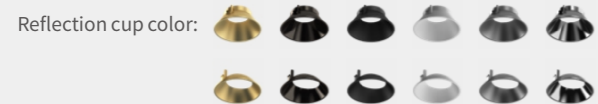
NEW Model: MSMK0814-Gypsum
 Power: 8W
 Cutout: Ø122mm
 Size(WxH): Ø97X170mm
 Beam angle: 8°/15°/24°/36°/55°



MSMK SERIES



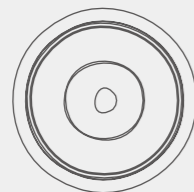
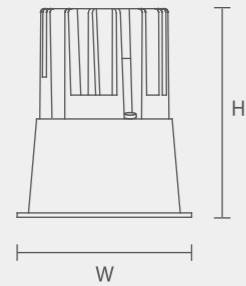
NEW Model: MSMK1214-Gypsum
Power: 12W
Cutout: Ø122mm
Size(WxH): Ø170X119mm
Beam angle: 8°/15°/24°/36°/55°



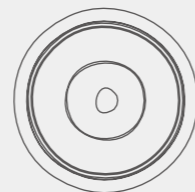
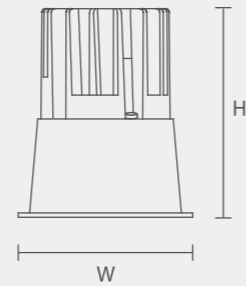
ECONOMICAL SERIES



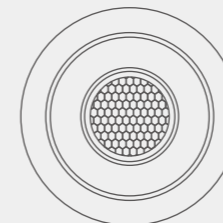
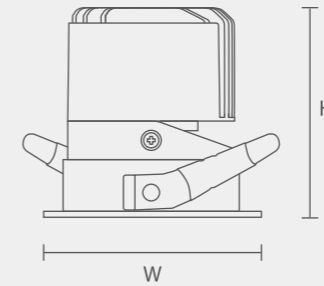
Model: MS32030-Straight
 Power: 7W
 Beam angle: 15° / 24° / 38°
 CCT: 2700K / 3000K / 4000K
 Cutout: Ø65mm
 Size(WxH): Ø75x62mm



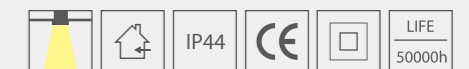
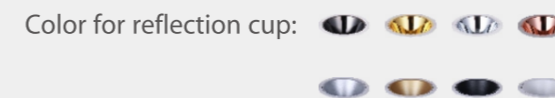
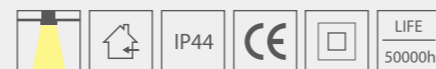
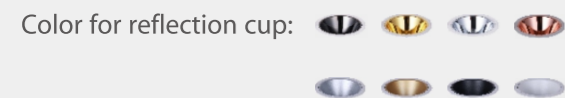
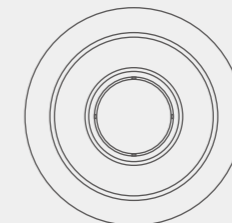
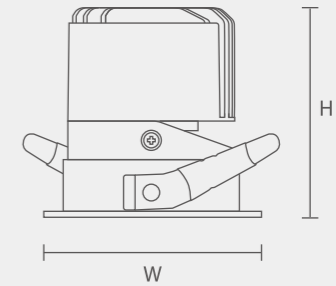
Model: MS32031-Straight
 Power: 10W
 Beam angle: 15° / 24° / 38°
 CCT: 2700K / 3000K / 4000K
 Cutout: Ø75mm
 Size(WxH): Ø84x78mm



Model: MS32201-Straight
 Power: 6W
 Beam angle: 15° / 24° / 38°
 CCT: 2700K / 3000K / 4000K
 Cutout: Ø55mm
 Size(WxH): Ø65x70mm



Model: MS32202-Straight
 Power: 10W
 Beam angle: 15° / 24° / 38°
 CCT: 2700K / 3000K / 4000K
 Cutout: Ø75mm
 Size(WxH): Ø86x76mm



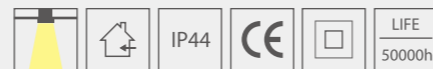
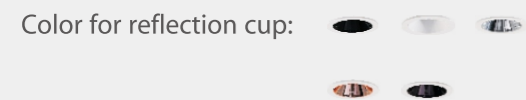
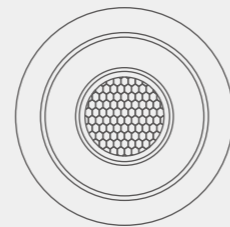
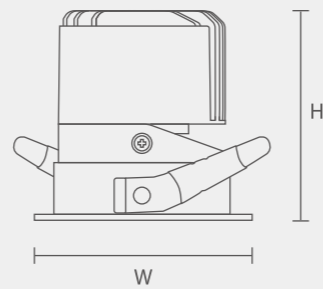
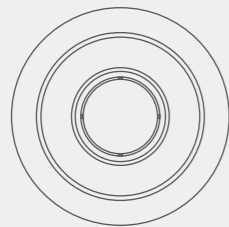
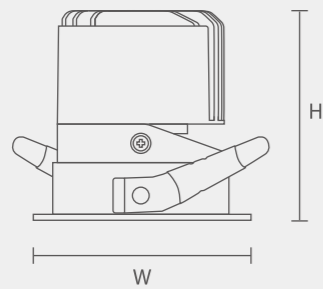
ECONOMICAL SERIES

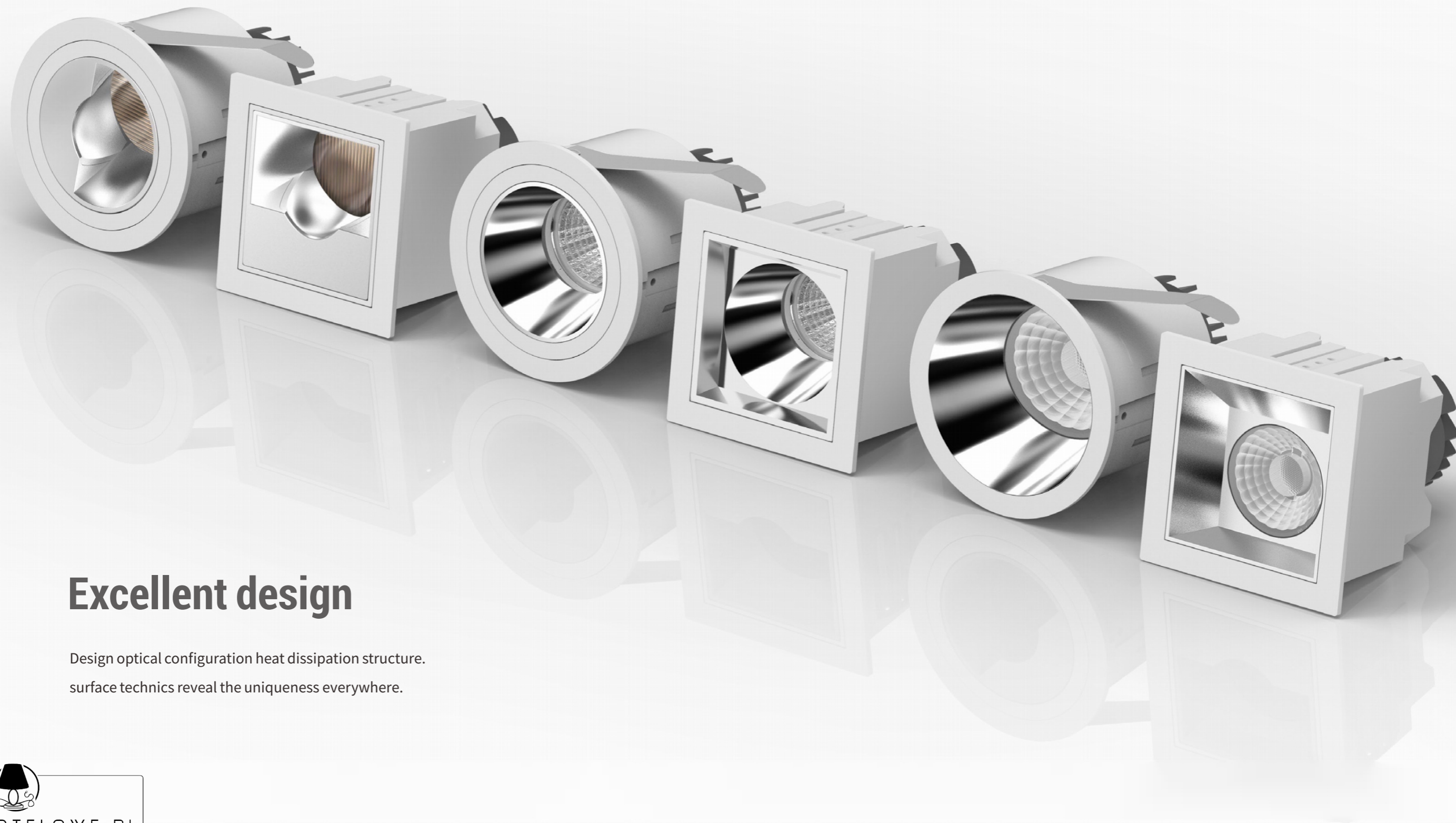


Model: MS32203-Straight
 Power: 15W
 Beam angle: 15° / 24° / 38°
 CCT: 2700K / 3000K / 4000K
 Cutout: Ø92mm
 Size(WxH): Ø105x102mm



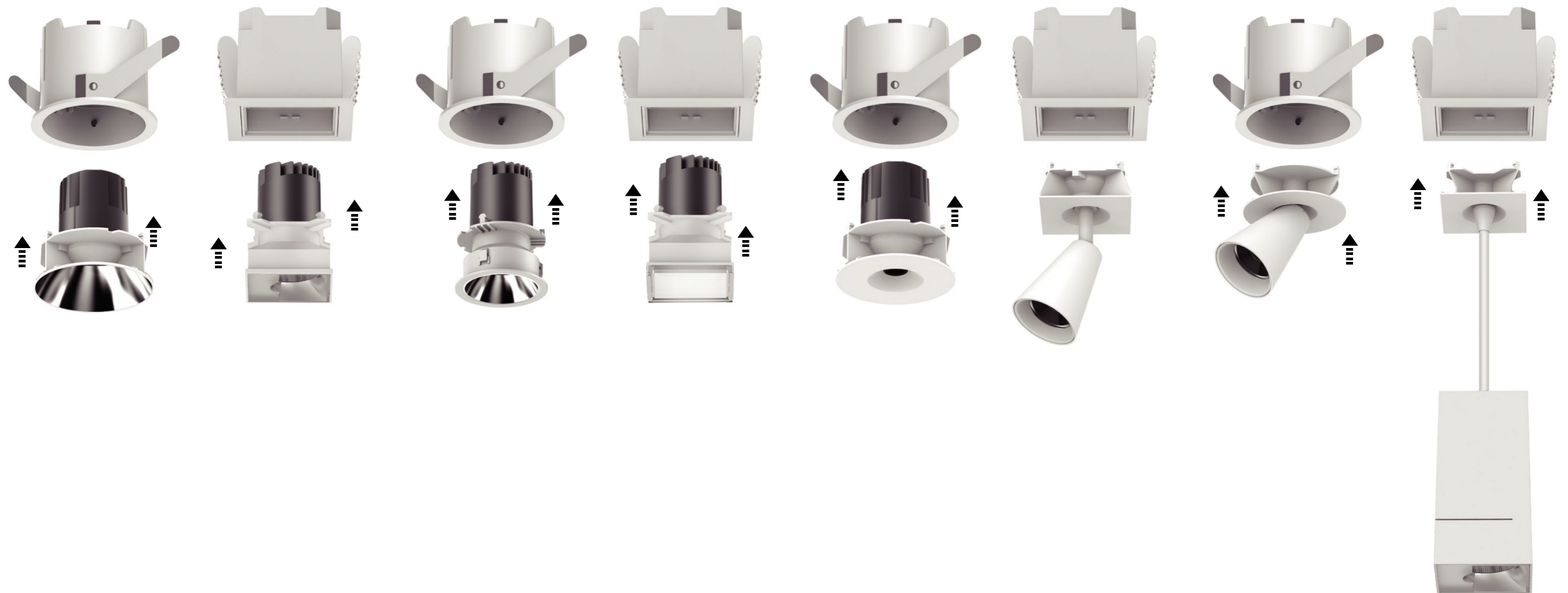
Model: MS32204-Straight
 Power: 20W
 Beam angle: 15° / 24° / 38°
 CCT: 2700K / 3000K / 4000K
 Cutout: Ø92mm
 Size(WxH): Ø105x102mm





Excellent design

Design optical configuration heat dissipation structure.
surface technics reveal the uniqueness everywhere.

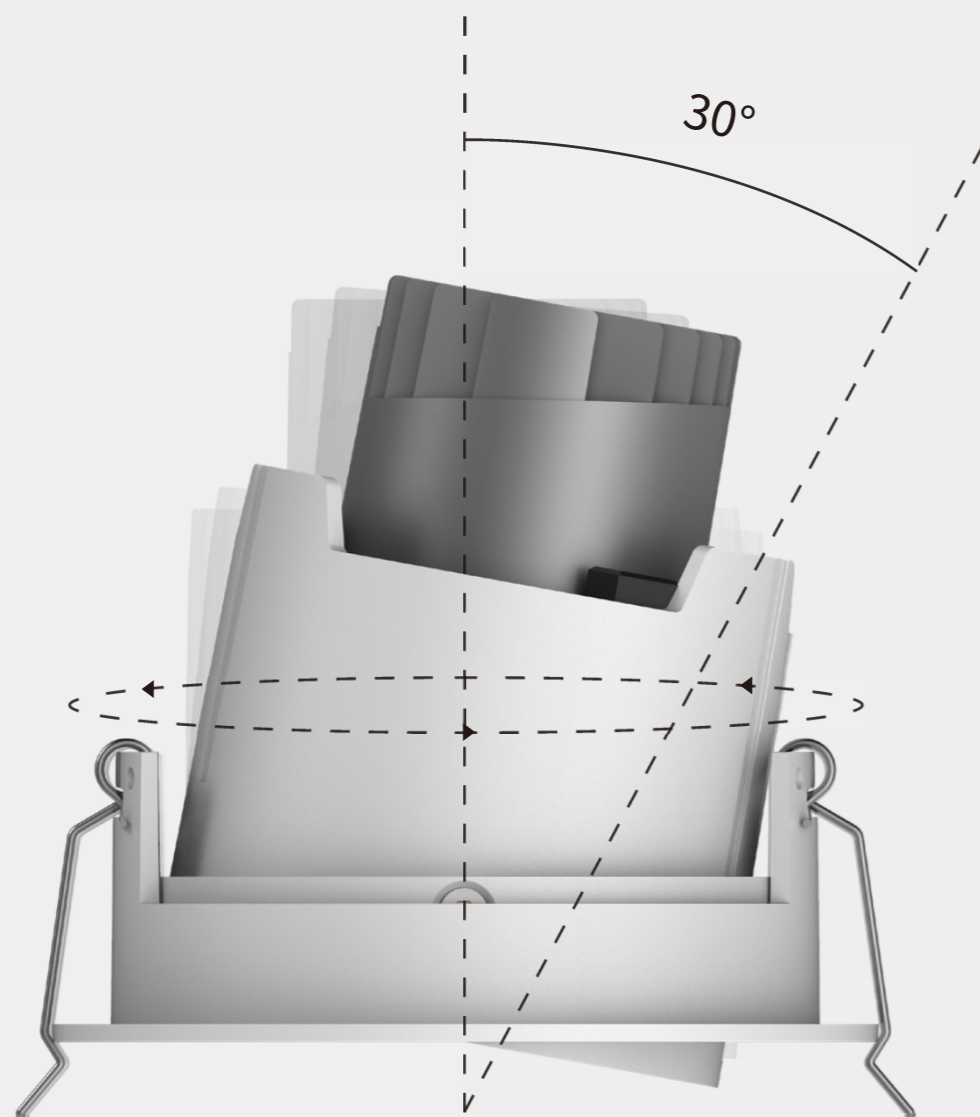


Quick replacement

Change the frame as needed application to different places.



MSTY Series



Large angle swing angle

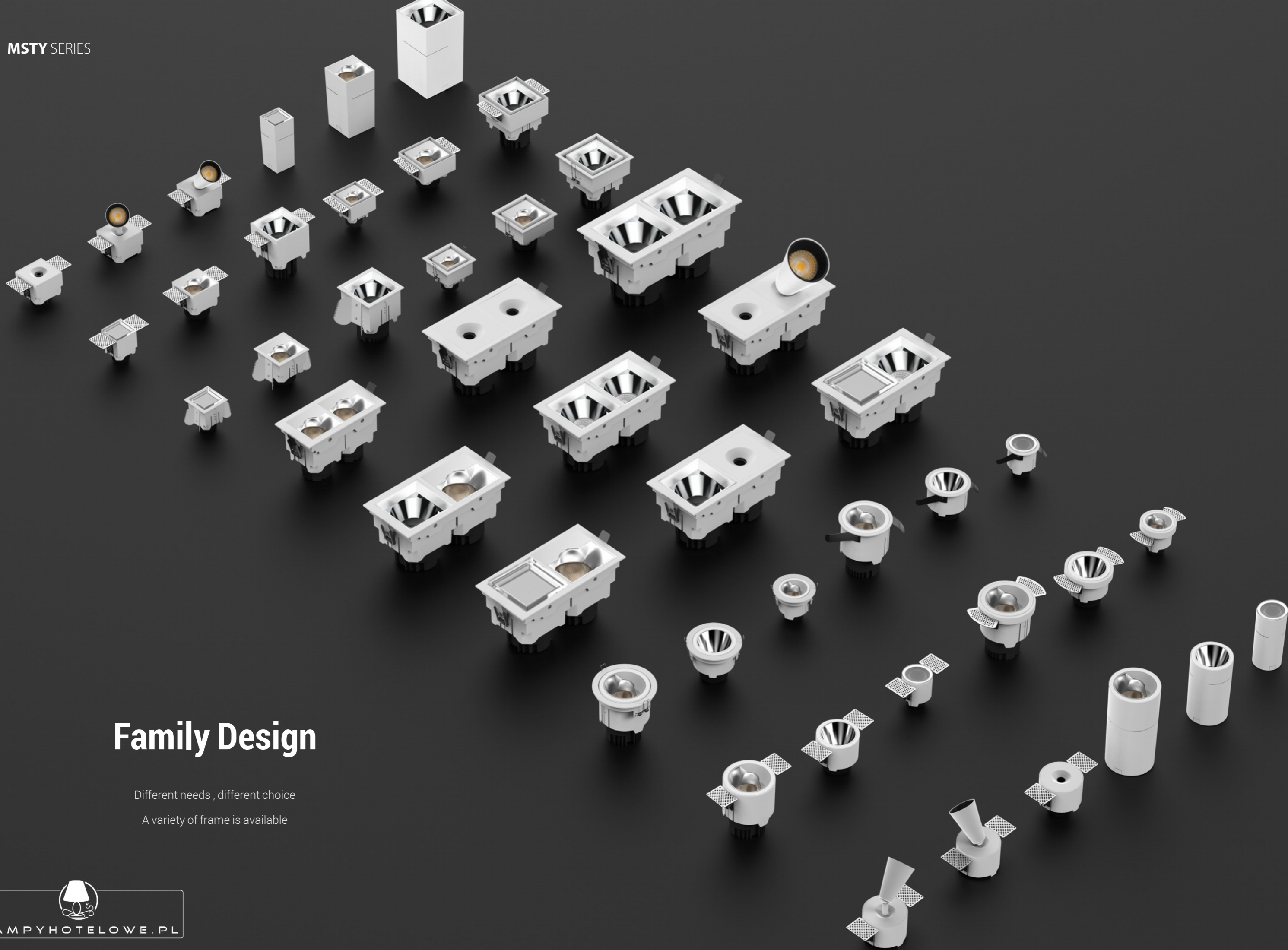
Adjust angle freely

355° +30°



Multiple light distribution





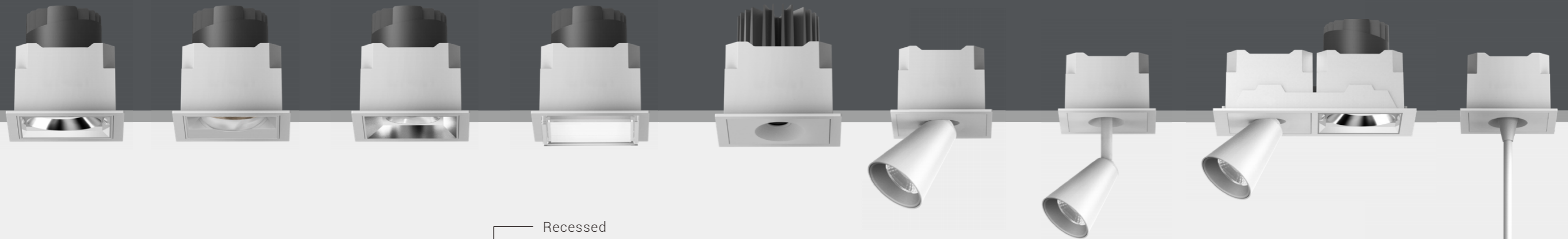
Family Design

Different needs , different choice

A variety of frame is available



MSTY SERIES



MSTY-RM Series

Different Installations

Different Frame

- Recessed
- Surface Mounted
- Pendant

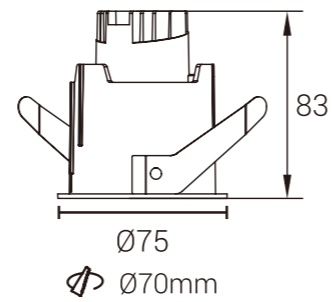
- Framed
- Frameless



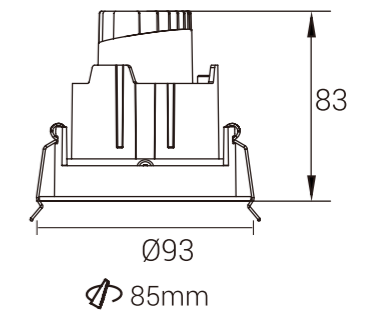
Power
6W



Model: MSTY-RM0601-Framed
Power: 6W
Cutout: Ø70mm
Size(WxLxH): Ø75X83mm



Model: MSTY-RM0602-Framed
Power: 6W
Cutout: Ø85mm
Size(WxLxH): Ø93X83mm
Beam angle: 15°/24°/36°



Straight Light



Polarized light



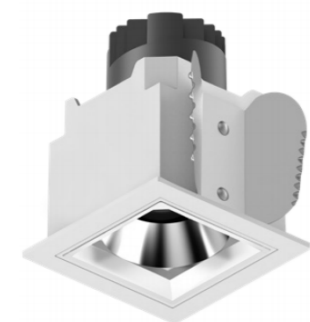
Flood Light



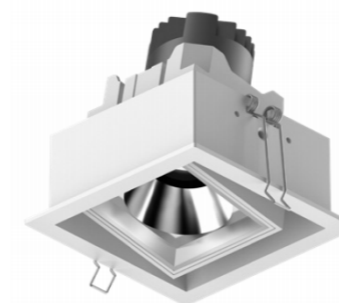
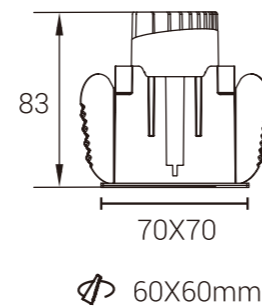
Straight Light



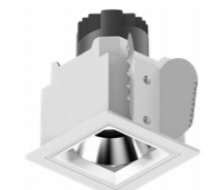
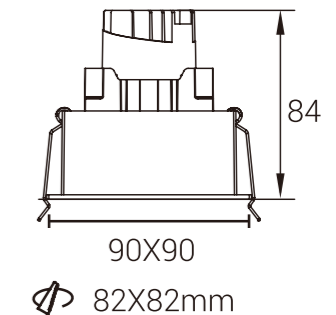
Polarized light



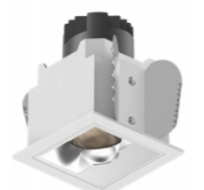
Model: MSTY-RM0603-Framed
Power: 6W
Cutout: 60X60mm
Size(WxLxH): 70X70X83mm



Model: MSTY-RM0604-Framed
Power: 6W
Cutout: 82X82mm
Size(WxLxH): 90X90X84mm
Beam angle: 15°/24°/36°



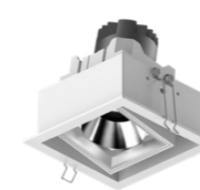
Straight Light



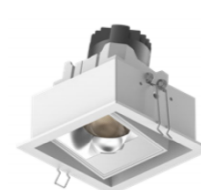
Polarized light



Flood Light



Straight Light



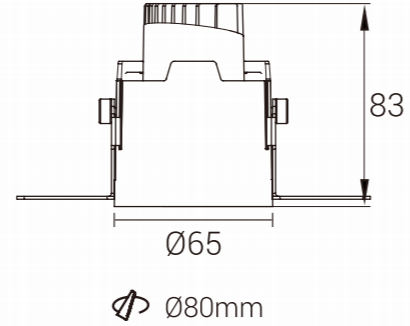
Polarized light



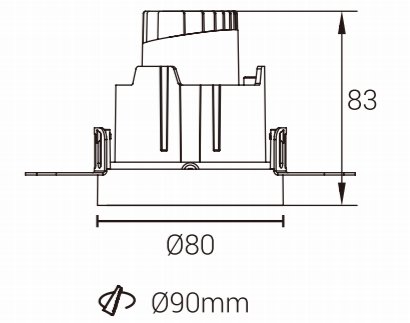
Power
6W



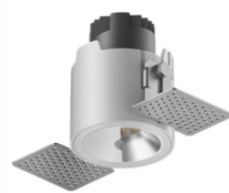
Model: MSTY-RM0605-Frameless
Power: 6W
Cutout: Ø80mm
Size(WxLxH): Ø65X83mm



Model: MSTY-RM0606-Frameless
Power: 6W
Cutout: Ø90mm
Size(WxLxH): Ø80X83mm
Beam angle: 15°/24°/36°



Straight Light



Polarized light



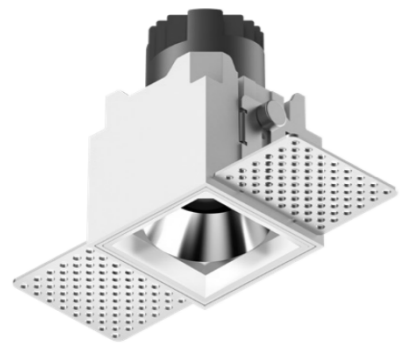
Flood Light



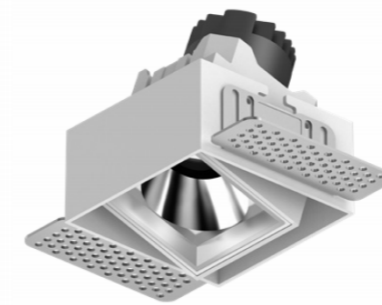
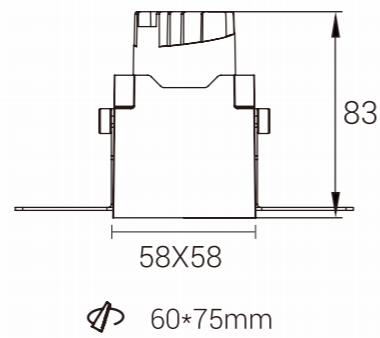
Straight Light



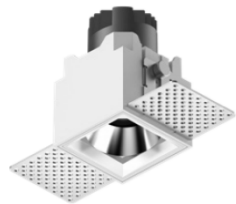
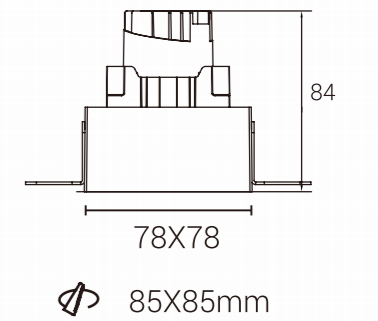
Polarized light



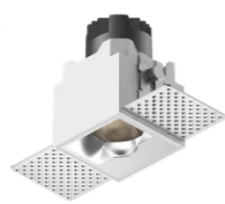
Model: MSTY-RM0607-Frameless
Power: 6W
Cutout: Ø60X75mm
Size(WxLxH): Ø58X58X83mm



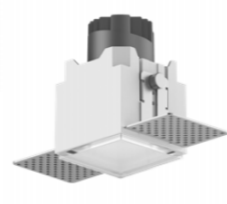
Model: MSTY-RM0608-Frameless
Power: 6W
Cutout: 85X85mm
Size(WxLxH): 78X78X84mm
Beam angle: 15°/24°/36°



Straight Light



Polarized light



Flood Light



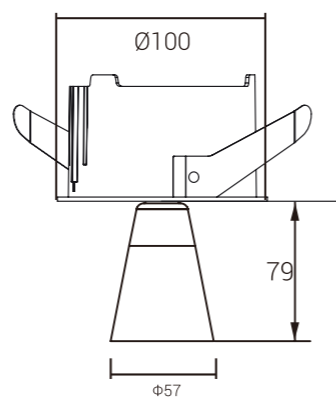
Straight Light



Polarized light

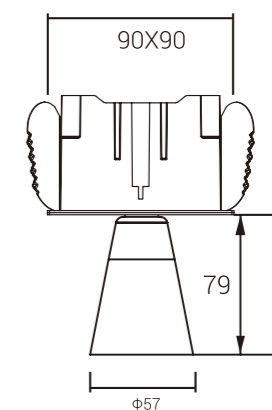


Power
8W



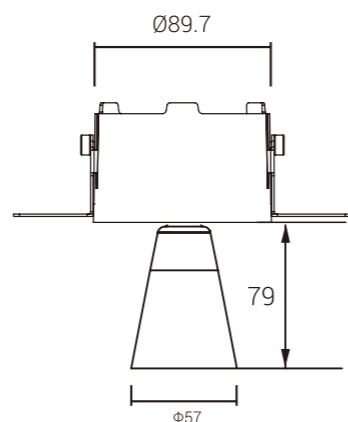
Ø94mm

Model: MSTY-RM0801-Framed
Power: 8W
Cutout: Ø94mm
Size(WxLxH): Ø100X79XØ57mm



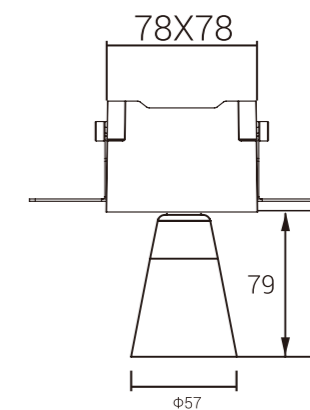
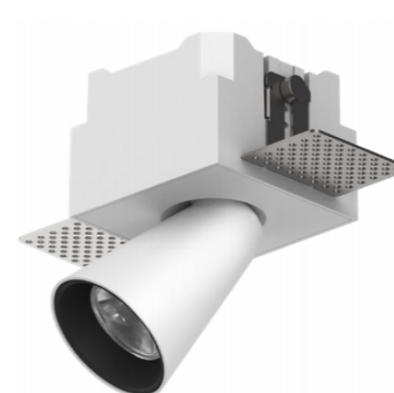
Ø80X80mm

Model: MSTY-RM0803-Framed
Power: 8W
Cutout: Ø80X80mm
Size(WxLxH): 90X90mm



Ø105mm

Model: MSTY-RM0802-Frameless
Power: 8W
Cutout: Ø105mm
Size(WxLxH): Ø89.7X79XØ57mm

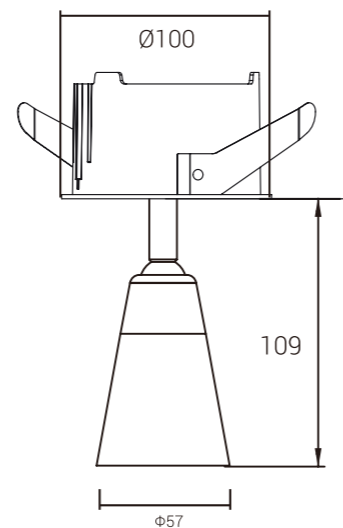


Ø80X95mm

Model: MSTY-RM0804-Frameless
Power: 8W
Cutout: 80X95mm
Size(WxLxH): 78X78X79mm

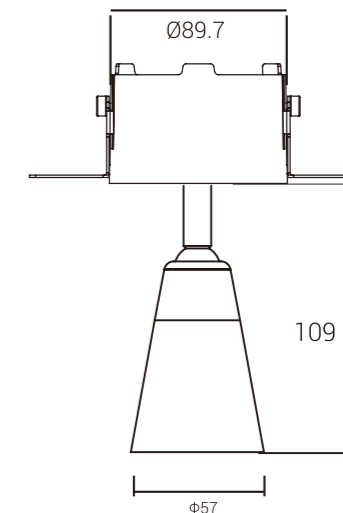


Power
8W



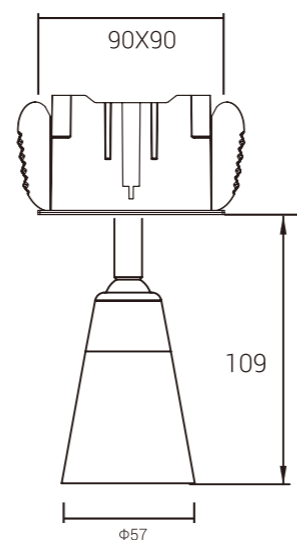
Model: MSTY-RM0805-Framed
Power: 8W
Cutout: Ø94mm
Size(WxLxH): Ø100X109mm

Ø94mm



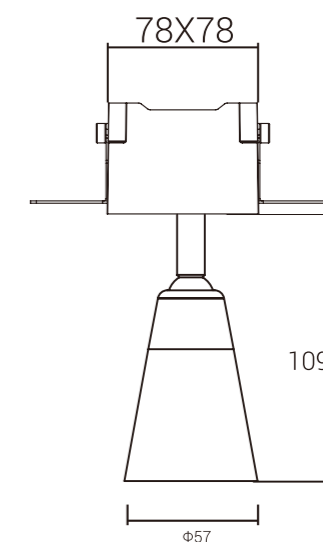
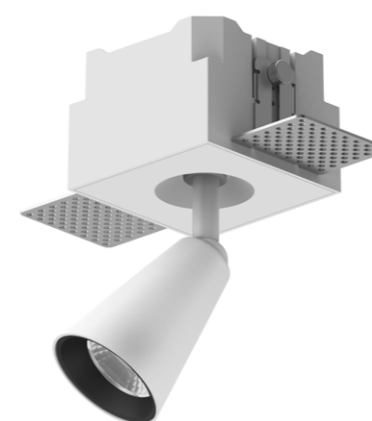
Model: MSTY-RM0806-Frameless
Power: 8W
Cutout: Ø105mm
Size(WxLxH): Ø89.7X109mm

Ø105mm



Model: MSTY-RM0807-Framed
Power: 8W
Cutout: 80X80mm
Size(WxLxH): 90X90X109mm

80X80mm



Model: MSTY-RM0808-Frameless
Power: 8W
Cutout: 80X95mm
Size(WxLxH): 78X78X109mm

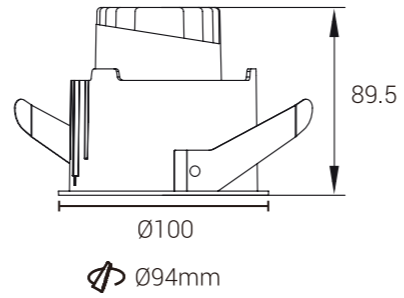
80x95mm



Power
12W



Model: MSTY-RM1201-Framed
Power: 12W
Cutout: Ø94mm
Size(WxLxH): Ø100X89.5mm



Straight Light



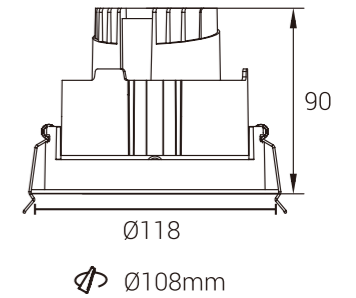
Polarized light



Flood Light



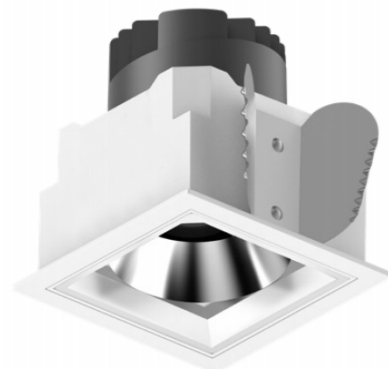
Model: MSTY-RM1202-Framed
Power: 12W
Cutout: Ø108mm
Size(WxLxH): Ø118X90mm
Beam angle: 15°/24°/36°



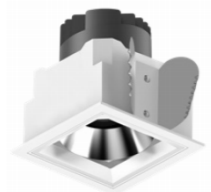
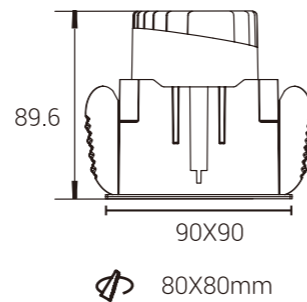
Straight Light



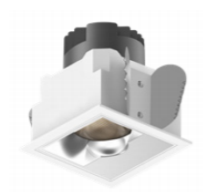
Polarized light



Model: MSTY-RM1203-Framed
Power: 12W
Cutout: 80X80mm
Size(WxLxH): 90X90X90mm



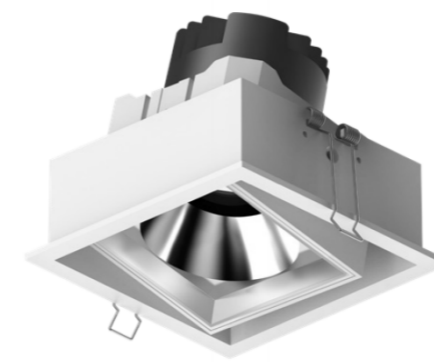
Straight Light



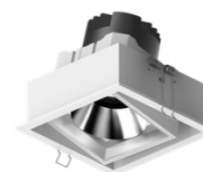
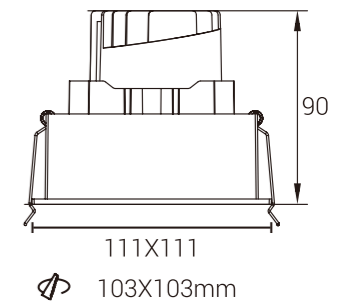
Polarized light



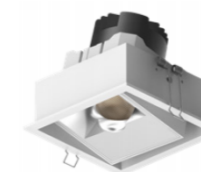
Flood Light



Model: MSTY-RM1204-Framed
Power: 12W
Cutout: 103X103mm
Size(WxLxH): 111X111X90mm
Beam angle: 15°/24°/36°



Straight Light



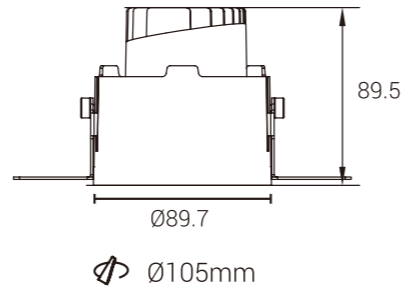
Polarized light



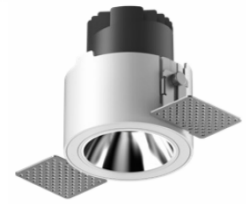
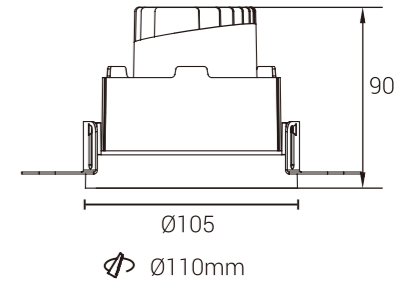
Power
12W



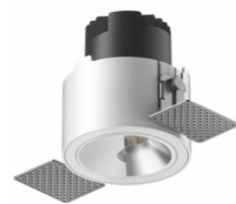
Model: MSTY-RM1205-Frameless
Power: 12W
Cutout: $\varnothing 105\text{mm}$
Size(WxLxH): $\varnothing 90 \times 90\text{mm}$



Model: MSTY-RM1206-Frameless
Power: 12W
Cutout: $\varnothing 110\text{mm}$
Size (WxLxH): $\varnothing 105 \times 90\text{mm}$
Beam angle: 15°/24°/36°



Straight Light



Polarized light



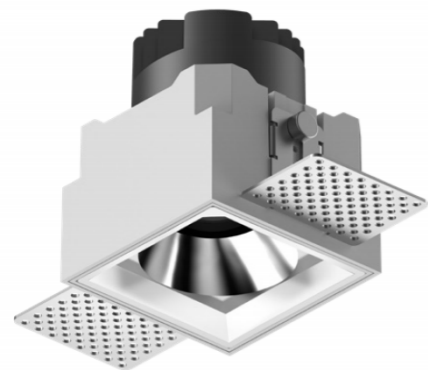
Flood Light



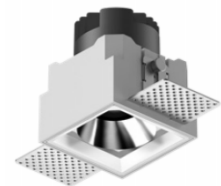
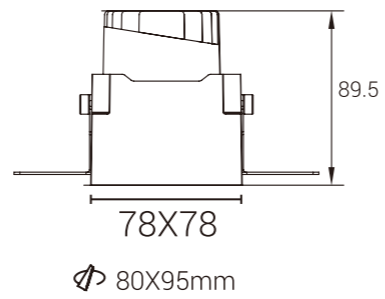
Straight Light



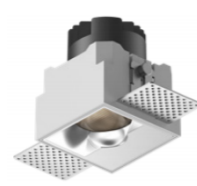
Polarized light



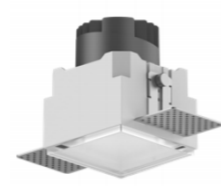
Model: MSTY-RM1207-Frameless
Power: 12W
Cutout: 80X95mm
Size(WxLxH): 78X78X90mm



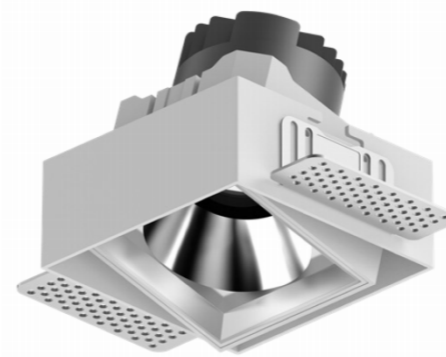
Straight Light



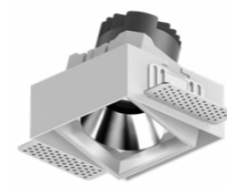
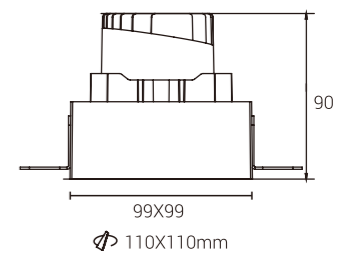
Polarized light



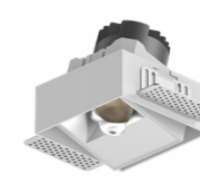
Flood Light



Model: MSTY-RM1208-Frameless
Power: 12W
Cutout: 110X110mm
Size(WxLxH): 99X99X90mm
Beam angle: 15°/24°/36°



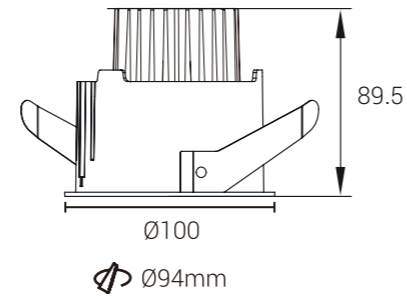
Straight Light



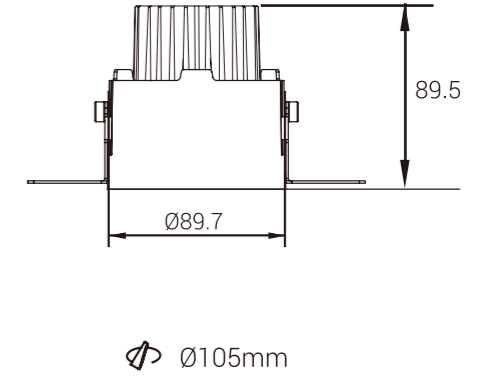
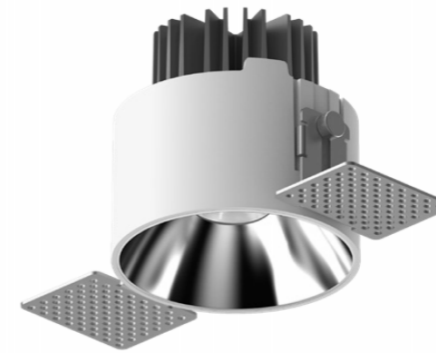
Polarized light



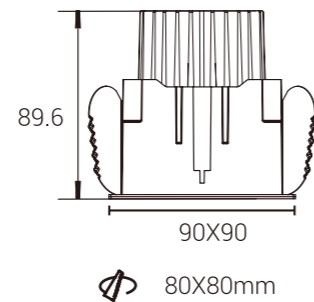
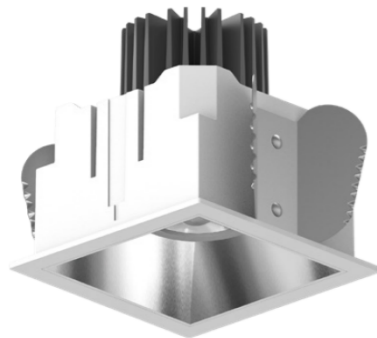
Power
18W



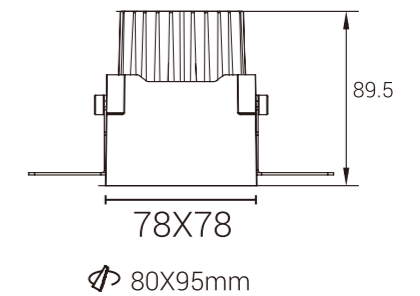
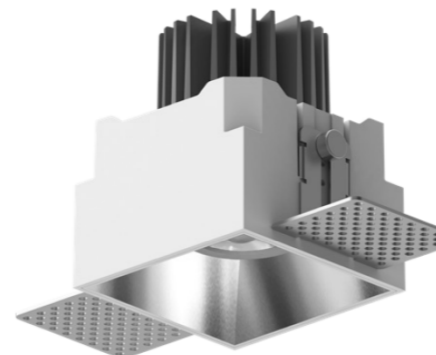
Model: MSTY-RM1801-Framed
Power: 8W
Cutout: Ø94mm
Size(WxLxH): Ø100X89.5mm



Model: MSTY-RM1802-Frameless
Power: 18W
Cutout: Ø105mm
Size(WxLxH): Ø89.5X89.7mm



Model: MSTY-RM1803-Framed
Power: 18W
Cutout: 80X80mm
Size(WxLxH): 90X90X89.6mm



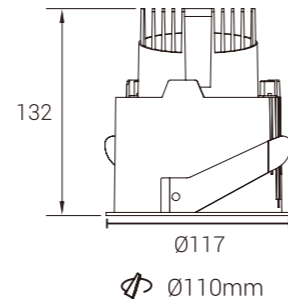
Model: MSTY-RM1804-Frameless
Power: 18W
Cutout: 80X95mm
Size(WxLxH): 78X78X89.5mm



Power
20W



Model: MSTY-RM2001-Framed
Power: 20W
Cutout: Ø110mm
Size(WxLxH): Ø117X132mm



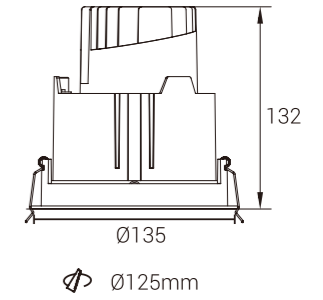
Straight Light



Polarized light



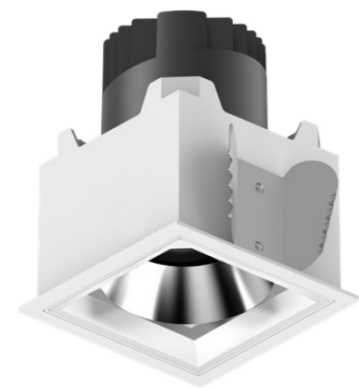
Model: MSTY-RM2002-Framed
Power: 20W
Cutout: Ø125mm
Size(WxLxH): Ø135x132mm
Beam angle: 15°/24°/36°



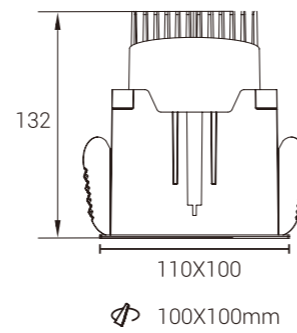
Straight Light



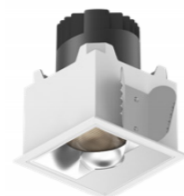
Polarized light



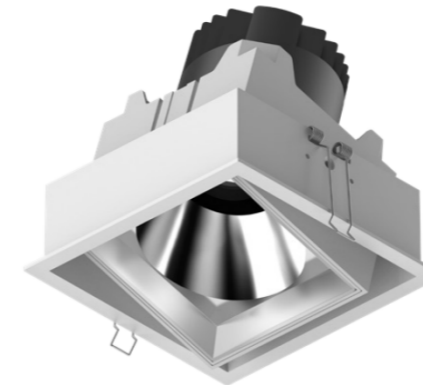
Model: MSTY-RM2003-Framed
Power: 20W
Cutout: 100X100mm
Size(WxLxH): 110X110X132mm



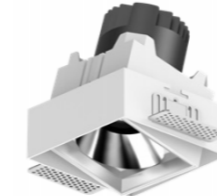
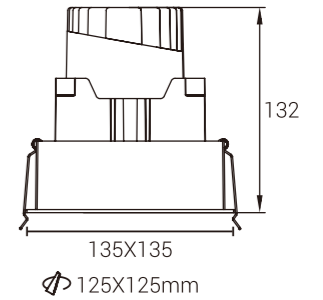
Straight Light



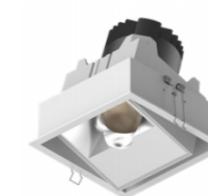
Polarized light



Model: MSTY-RM2004-Framed
Power: 20W
Cutout: 125X125mm
Size(WxLxH): 135X135X132mm
Beam angle: 15°/24°/36°



Straight Light



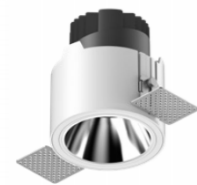
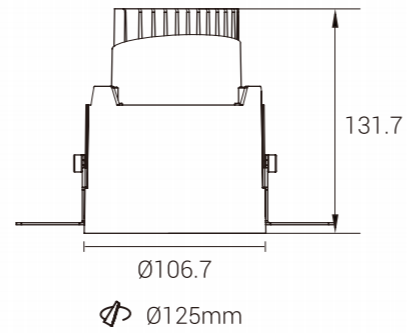
Polarized light



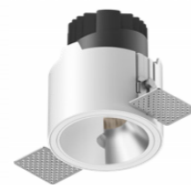
Power
20W



Model: MSTY-RM2005-Frameless
Power: 20W
Cutout: Ø125mm
Size(WxLxH): Ø107X132mm



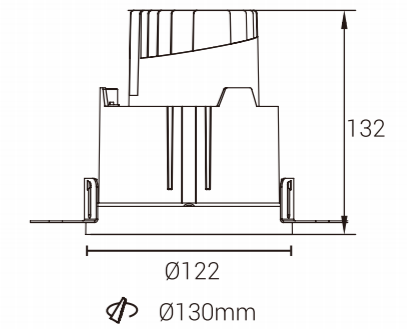
Straight Light



Polarized light



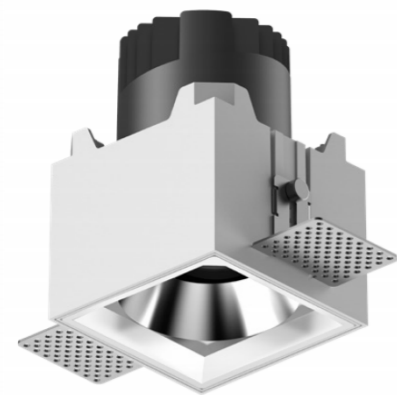
Model: MSTY-RM2006-Frameless
Power: 20W
Cutout: Ø130mm
Size(WxLxH): Ø122x132mm
Beam angle: 15°/24°/36°



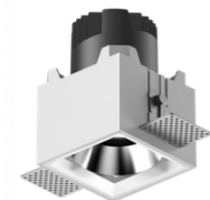
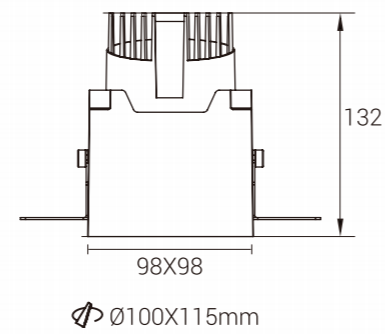
Straight Light



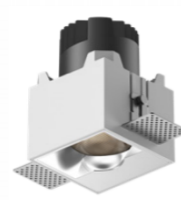
Polarized light



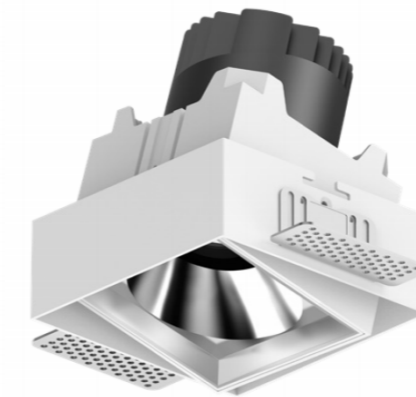
Model: MSTY-RM2007-Frameless
Power: 20W
Cutout: 100X115mm
Size(WxLxH): 98X98X132mm



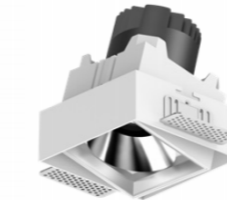
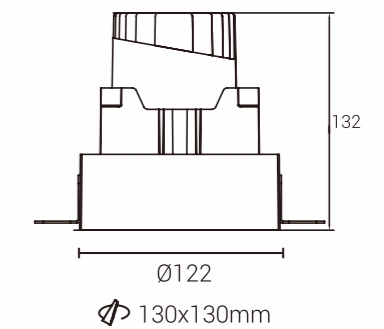
Straight Light



Polarized light



Model: MSTY-RM2008-Frameless
Power: 20W
Cutout: 130X130mm
Size(WxLxH): 122X122X132mm
Beam angle: 15°/24°/36°



Straight Light



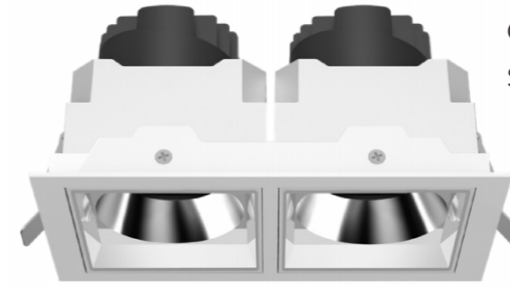
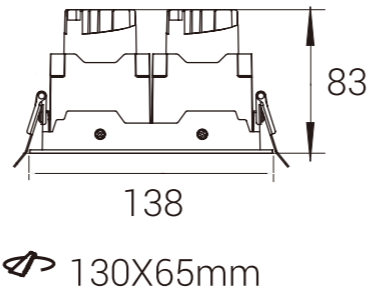
Polarized light



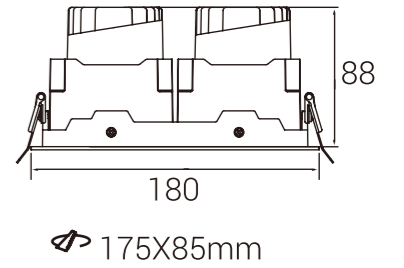
Power
6W



Model: MSTY-RM0621-Framed
Power: 6WX2
Cutout: 130X65mm
Size(WxLxH): 138X71X83mm



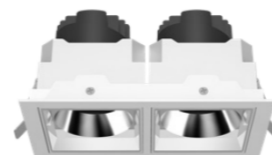
Model: MSTY-RM1221-Framed
Power: 12WX2
Cutout: 175X85mm
Size(WxLxH): 180X90X88mm



Straight Light



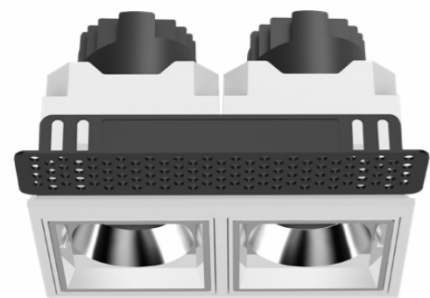
Polarized light



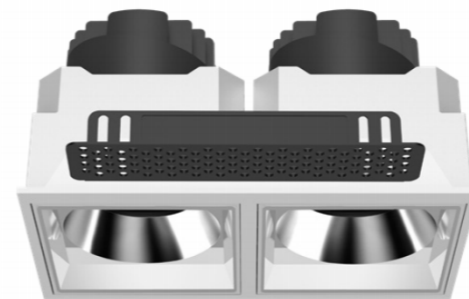
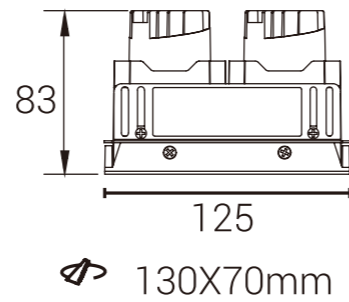
Straight Light



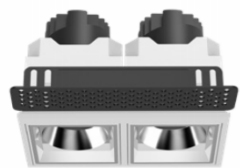
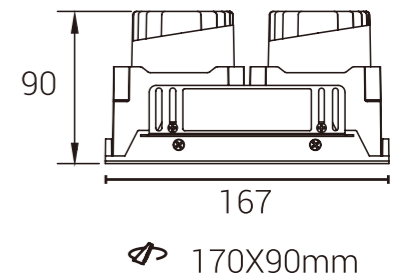
Polarized light



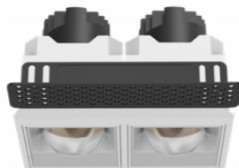
Model: MSTY-RM0622-Frameless
Power: 6WX2
Cutout: 130X70mm
Size(WxLxH): 125X63X83mm



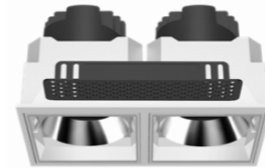
Model: MSTY-RM1222-Frameless
Power: 12WX2
Cutout: 170X90mm
Size(WxLxH): 167X83X90mm



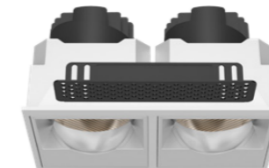
Straight Light



Polarized light



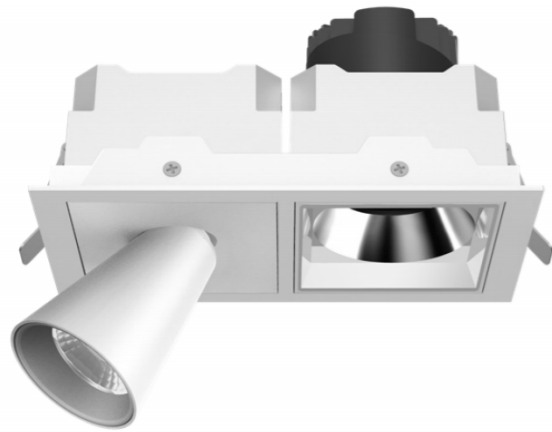
Straight Light



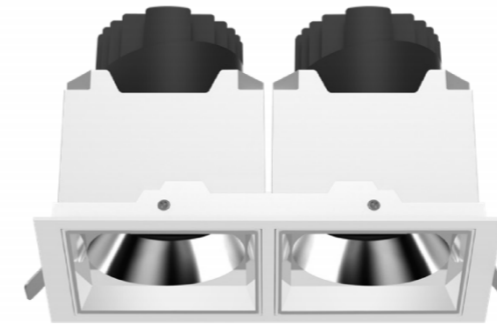
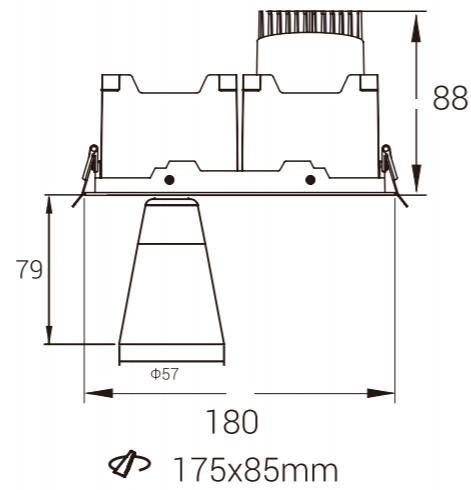
Polarized light



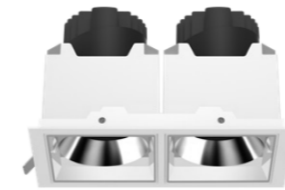
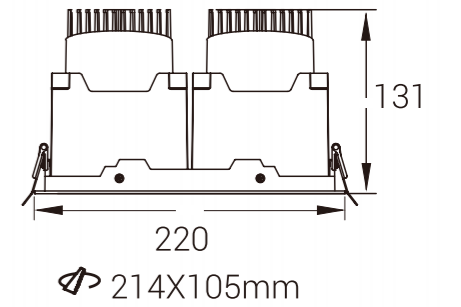
Power
8W/12W



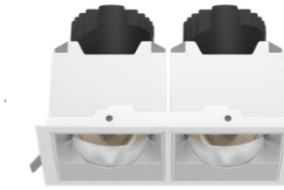
Model: MSTY-RM081221-Framed
Power: 8W/12W
Cutout: 175X85mm
Size(WxLxH): 180X90X167mm



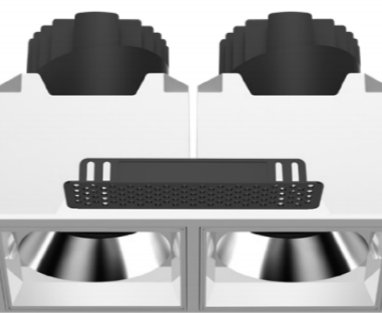
Model: MSTY-RM2021-Framed
Power: 20WX2
Cutout: 214X105mm
Size(WxLxH): 220X110X132mm



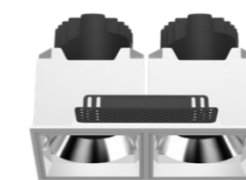
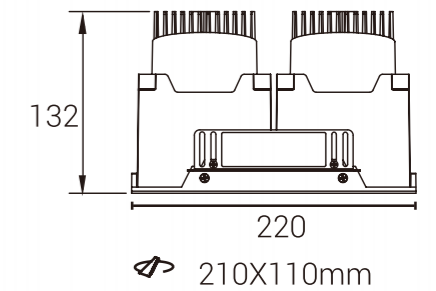
Straight Light



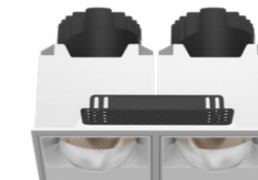
Polarized light



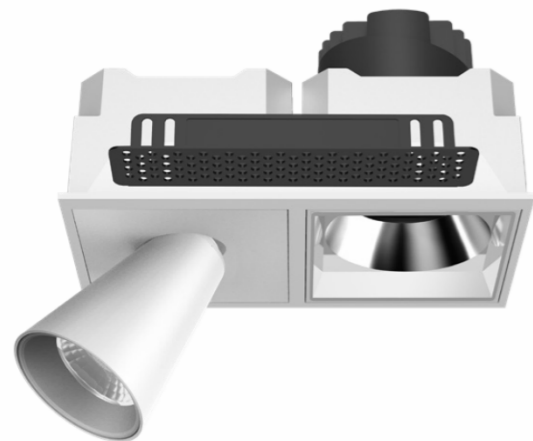
Model: MSTY-RM2022-Frameless
Power: 20WX2
Cutout: 210X110mm
Size(WxLxH): 220X110X132mm



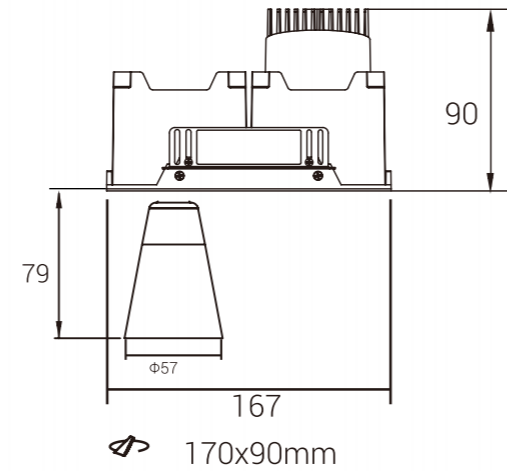
Straight Light



Polarized light



Model: MSTY-RM081222-Frameless
Power: 8W/12W
Cutout: 170X90mm
Size(WxLxH): 167X83X169mm



MSTY-SM Series

Different Installations

Different Frame

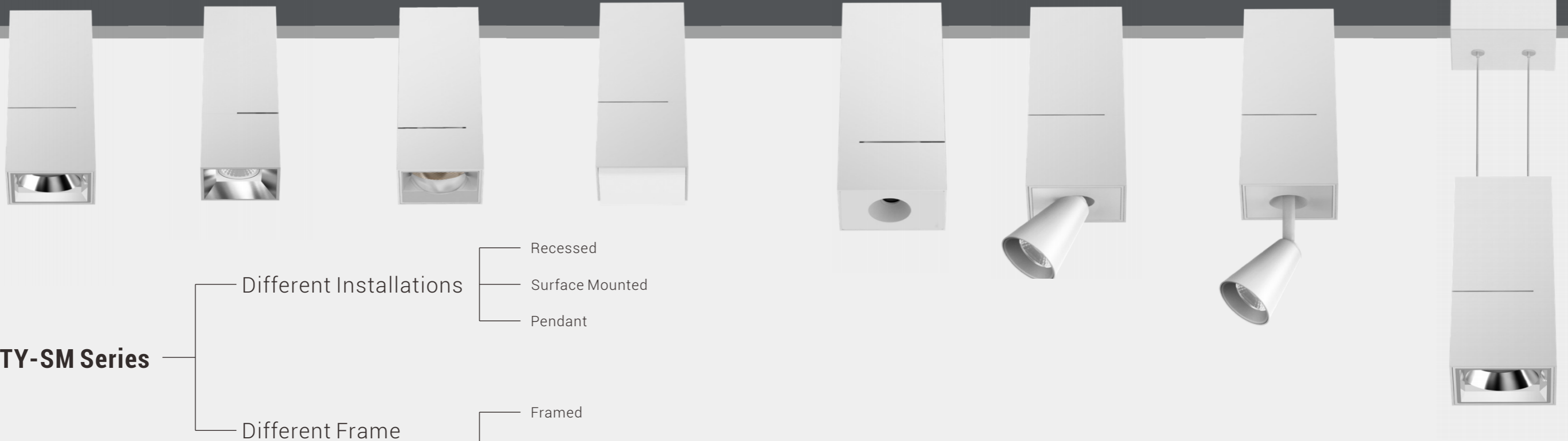
Recessed

Surface Mounted

Pendant

Framed

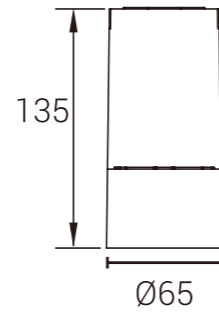
Frameless



Power
6W



Model: MSTY-SM0601
Power: 6W
Size(WxLxH): Ø65X135mm



Straight Light



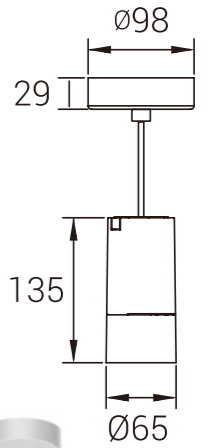
Polarized light



Flood Light



Model: MSTY-DX0601
Power: 6W
Size(WxLxH): Ø65X135mm



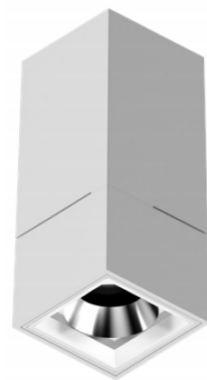
Straight Light



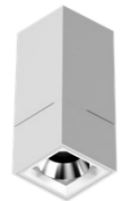
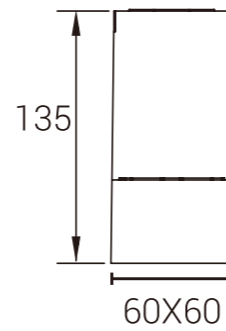
Polarized light



Flood Light



Model: MSTY-SM0602
Power: 6W
Size(WxLxH): 60X60X135mm



Straight Light



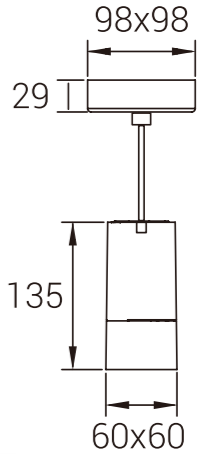
Polarized light



Flood Light



Model: MSTY-DX0602
Power: 6W
Size(WxLxH): 60X60X135mm



Straight Light



Polarized light



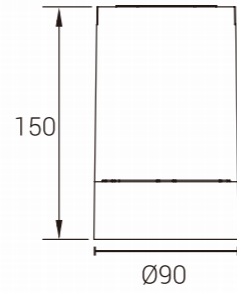
Flood Light



Power
12W



Model: MSTY-SM1201
Power: 12W
Size(WxLxH): Ø90X150mm



Straight Light



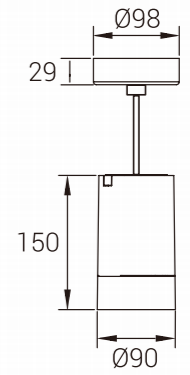
Polarized light



Flood Light



Model: MSTY-DX1201
Power: 12W
Size(WxLxH): Ø90X150mm



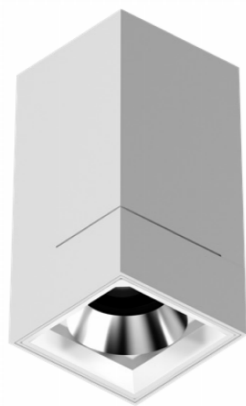
Straight Light



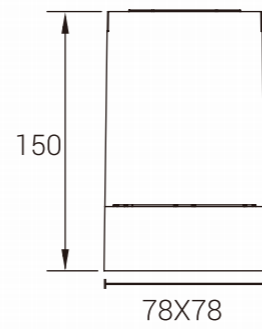
Polarized light



Flood Light



Model: MSTY-SM1202
Power: 12W
Size(WxLxH): 78X78X150mm



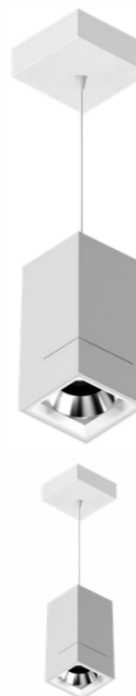
Straight Light



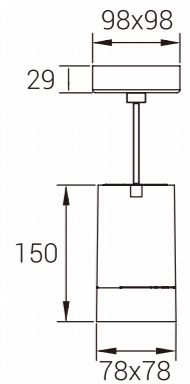
Polarized light



Flood Light



Model: MSTY-DX1202
Power: 12W
Size(WxLxH): 78X78X150mm



Straight Light



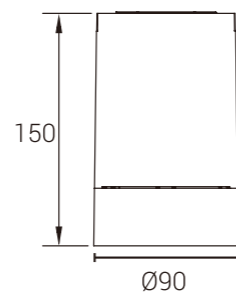
Polarized light



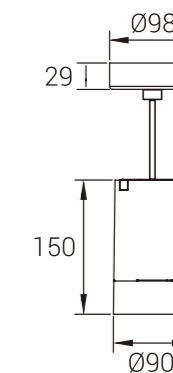
Flood Light



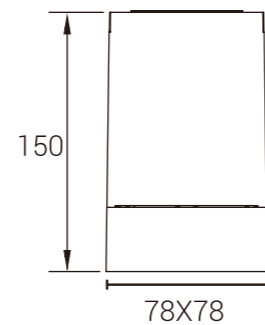
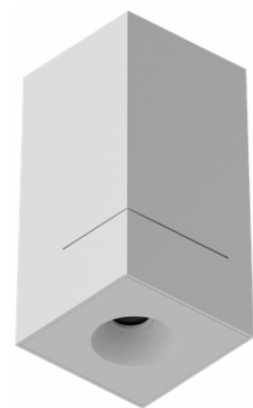
Power
12W



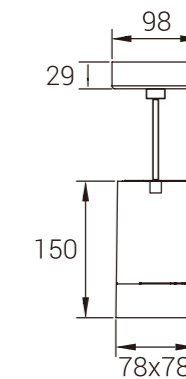
Model: MSTY-SM1203
Power: 12W
Size(WxLxH): Ø90X150mm



Model: MSTY-DX1203
Power: 12W
Size(WxLxH): Ø90X150mm



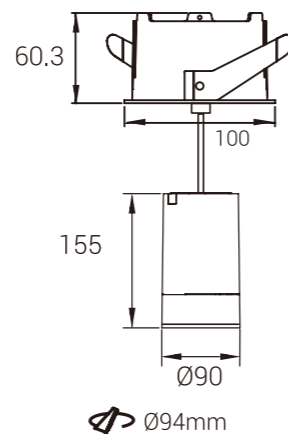
Model: MSTY-SM1204
Power: 12W
Size(WxLxH): 78X78X150mm



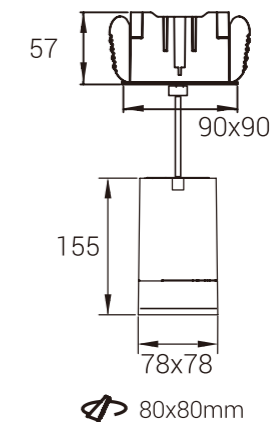
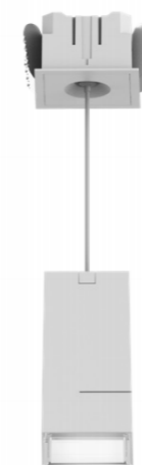
Model: MSTY-DX1204
Power: 12W
Size(WxLxH): 78X78X150mm



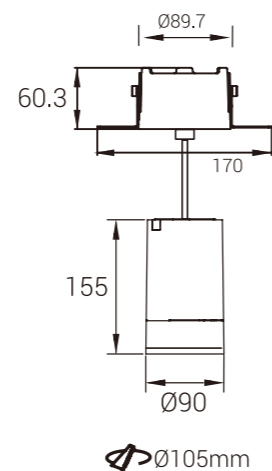
Power
12W



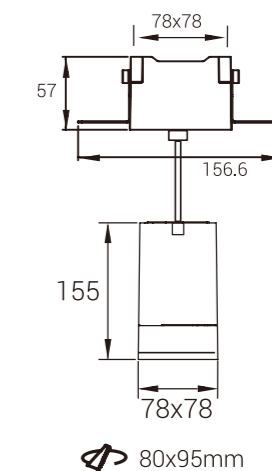
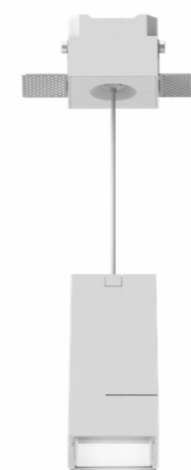
Model: MSTY-DX1205-Framed
Power: 12W
Cutout: Ø94mm
Size(WxLxH): Ø90X155mm



Model: MSTY-DX1207-Framed
Power: 12W
Cutout: 80X80mm
Size(WxLxH): 90X90X155mm



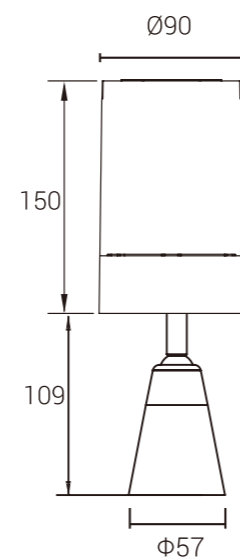
Model: MSTY-DX1206-Frameless
Power: 12W
Cutout: Ø105mm
Size(WxLxH): Ø90X155mm



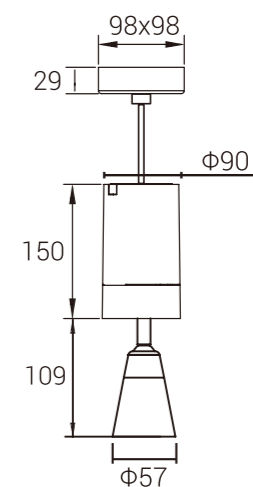
Model: MSTY-DX1208-Frameless
Power: 12W
Cutout: 80X95mm
Size(WxLxH): 78X78X155mm



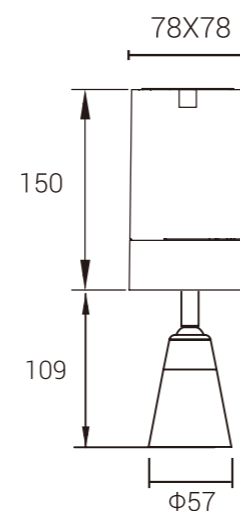
Power
8W



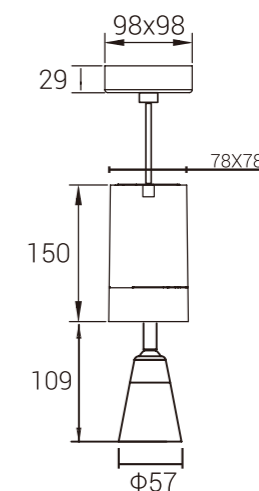
Model: MSTY-SM0803
Power: 8W
Size(WxLxH): Ø90X259mm



Model: MSTY-DX0803
Power: 8W
Size(WxLxH): Ø90X259mm



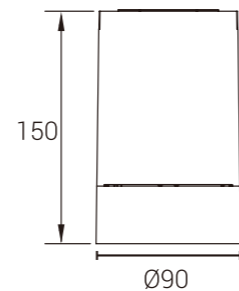
Model: MSTY-SM0804
Power: 8W
Size(WxLxH): 78X78X79mm



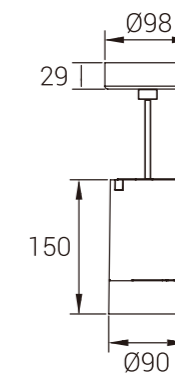
Model: MSTY-DX0804
Power: 8W
Size(WxLxH): 78X78X259mm



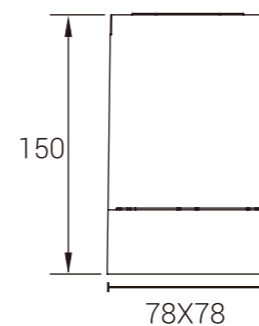
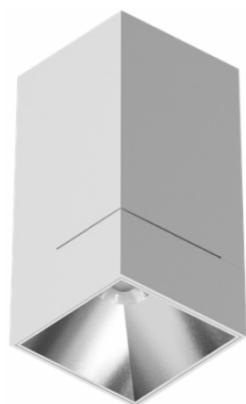
Power
18W



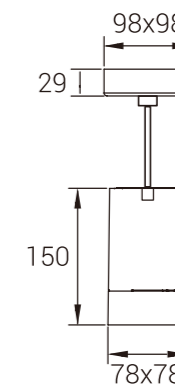
Model: MSTY-SM1801
Power: 18W
Size(WxLxH): Ø90X150mm



Model: MSTY-DX1801
Power: 18W
Size(WxLxH): Ø90X150mm



Model: MSTY-SM1802
Power: 18W
Size(WxLxH): 78X78X150mm



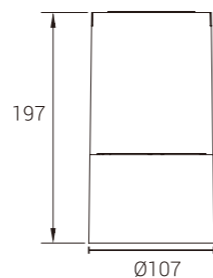
Model: MSTY-DX1802
Power: 18W
Size(WxLxH): 78X78X150mm



Power
20W



Model: MSTY-SM2001
Power: 20W
Size(WxLxH): Ø107X197mm

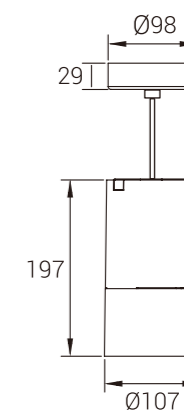


Straight Light

Polarized light

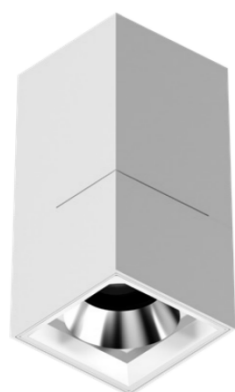


Model: MSTY-DX2001
Power: 20W
Size(WxLxH): Ø107X197mm

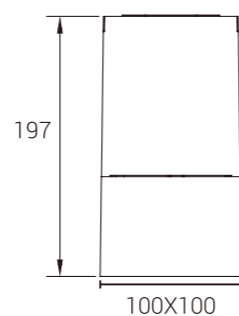


Straight Light

Polarized light



Model: MSTY-SM2002
Power: 20W
Size(WxLxH): 100X100X197mm

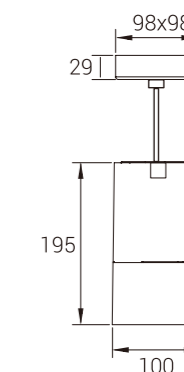


Straight Light

Polarized light



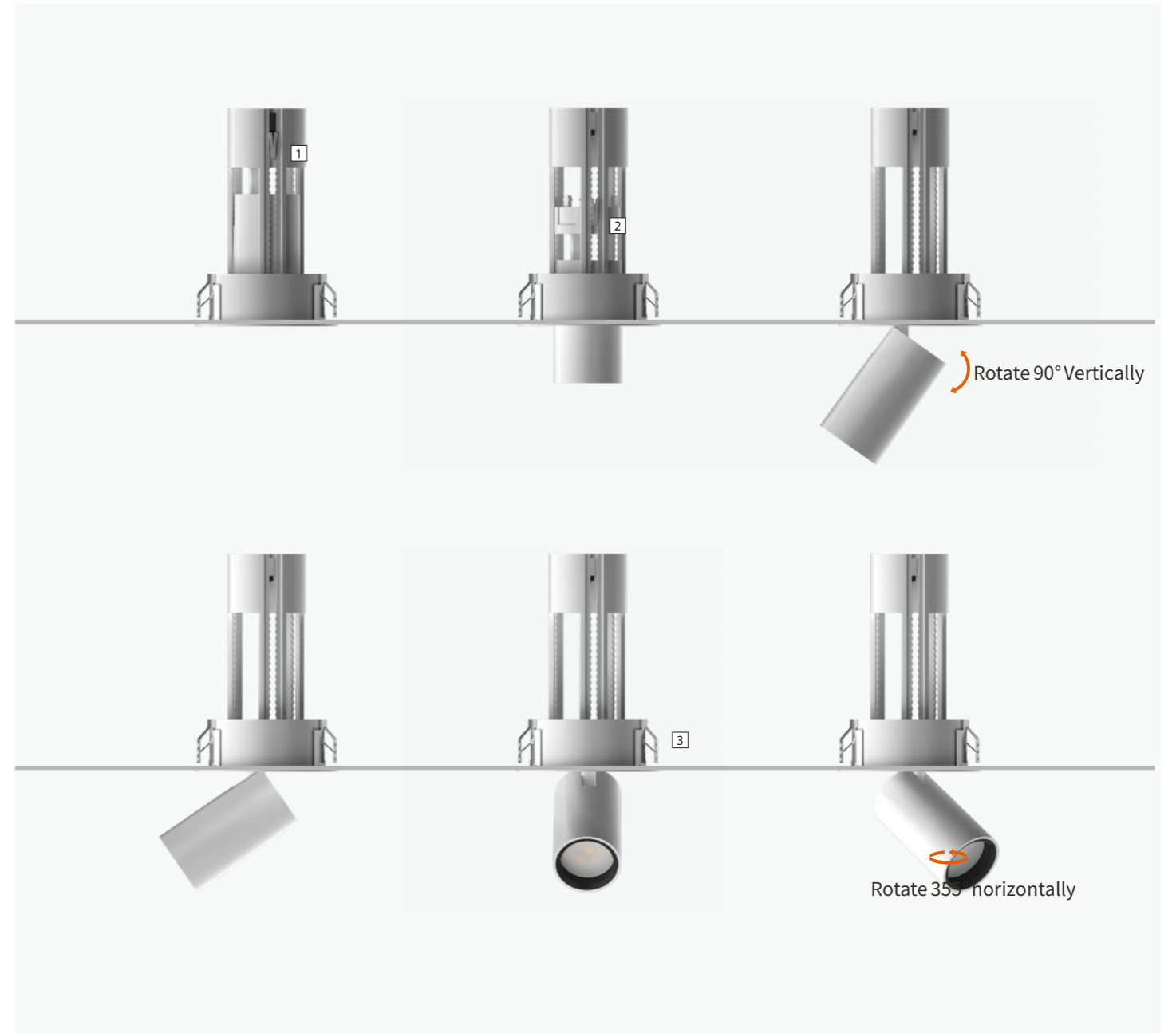
Model: MSTY-DX2002
Power: 20W
Size(WxLxH): 100X100X197mm



Straight Light

Polarized light





- Series design, deep anti-glare design, effectively reduce glare.
- The module rotates 355° horizontally and 60° vertically to meet different illumination angles.
- Narrow border/no border design, perfect combination of lighting and installation ceiling, enhance the consistency of space vision.
- The light body can be freely stretched downward upward to meet the high demand of different layers

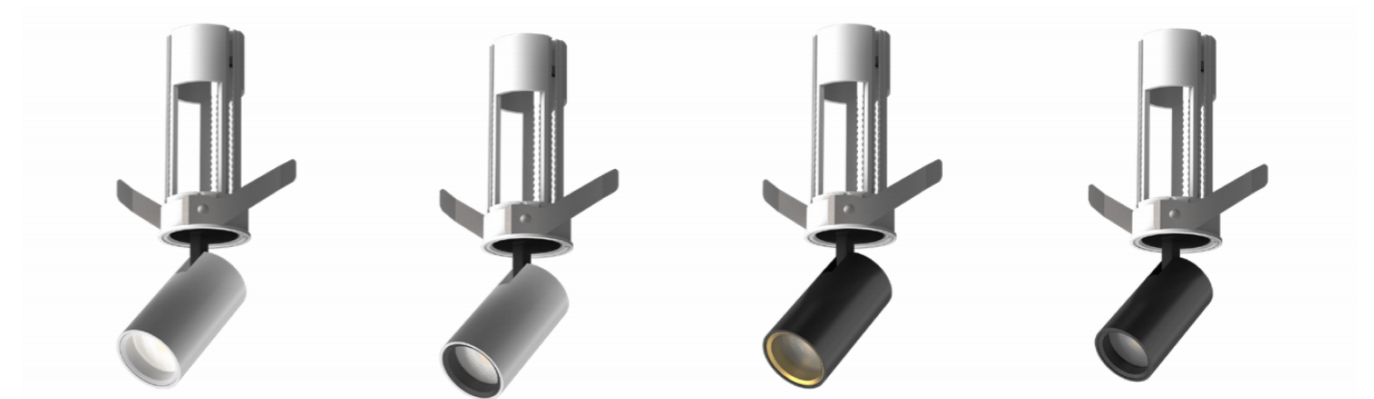
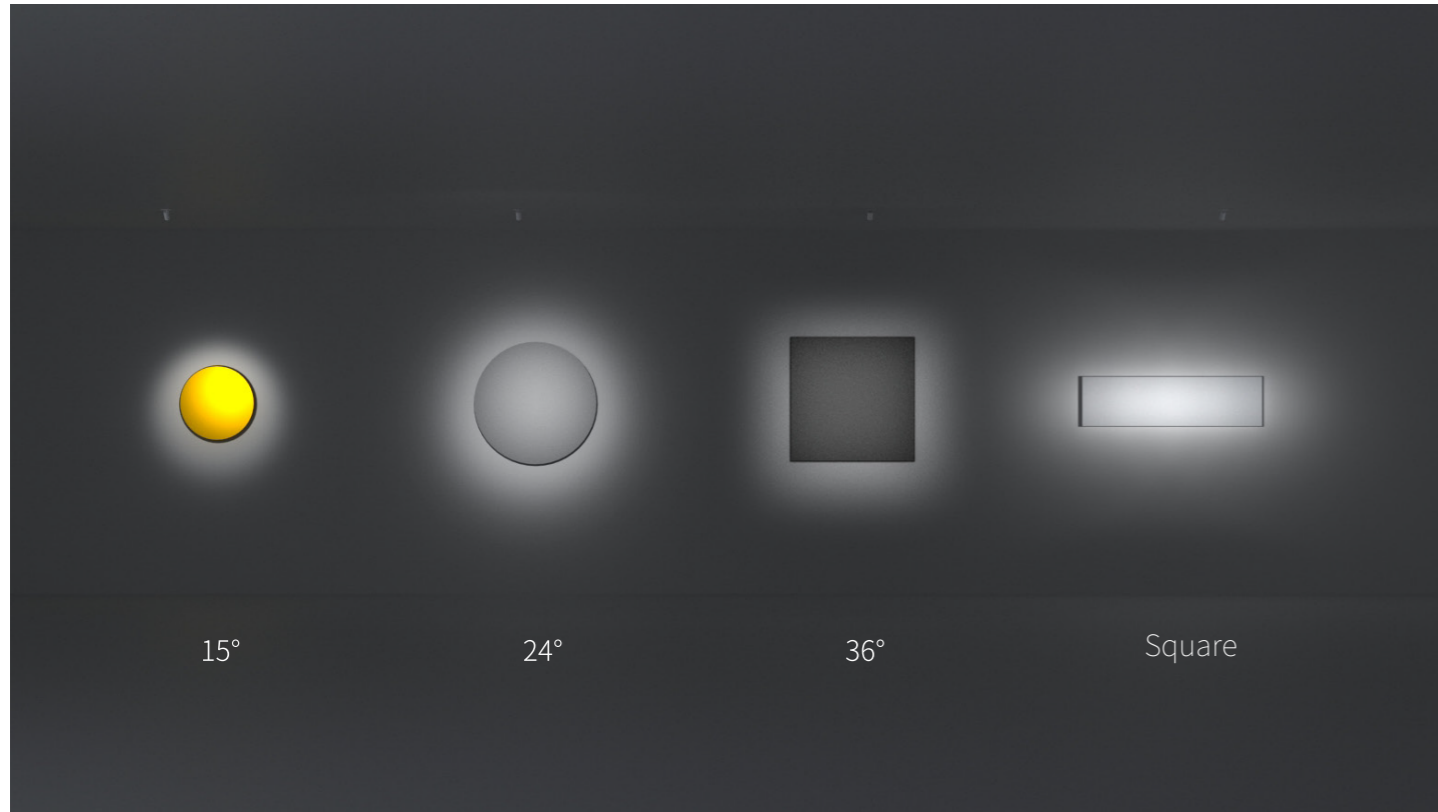
Adjustable telescopic spotlight

Optional light effect accessories can be used to create different lighting effects.
Can be combined with Linan series, light efficiency, flexible one without leakage.

1 Press-type fixed buckle, so that the lamp body is not easy to loosen, maintain a fixed state.

2 Fixed chuck with height adjustment, so that the lamp body can be fixed in the middle without slipping.

3 Various specifications are available, 1/2/3/4 lamp holder, reasonable installation structure can make the ceiling simple, natural and visual.



White + White

White + Black

Black + Gold

Black + Black



BEAUTY OF DIFFERENT COLORS

LIGHT-EFFECT ACCESSORIES



Honey Comb

Excessive soft edge light source effect, effectively prevent excessive astigmatism, let direct light through, thereby preventing glare, eye protection, anti-glare UGR less than 16



Frosted Filter

Ground glass filters out soft light and further enhances the diffuse effect of light, thus reducing the possibility of glare and providing a uniform and soft light environment.



Rhomboid Filter

Square spot, through atomization or diffusion, make light evenly diffuse more soft, thereby reducing the stimulation of lamps to the human eye, achieving antiglare effect, and generally both have optical beam expanding effect.



Fringe Filter

The stretching stripe spot can be stretched horizontally or linearly according to the direction, and the function is to stretch the circular spot into elliptical spot. It can concentrate the spot in one direction, illuminate the widest possible area in that direction, and reduce the waste of light in other directions (mainly in the direction of ellipse short axis).



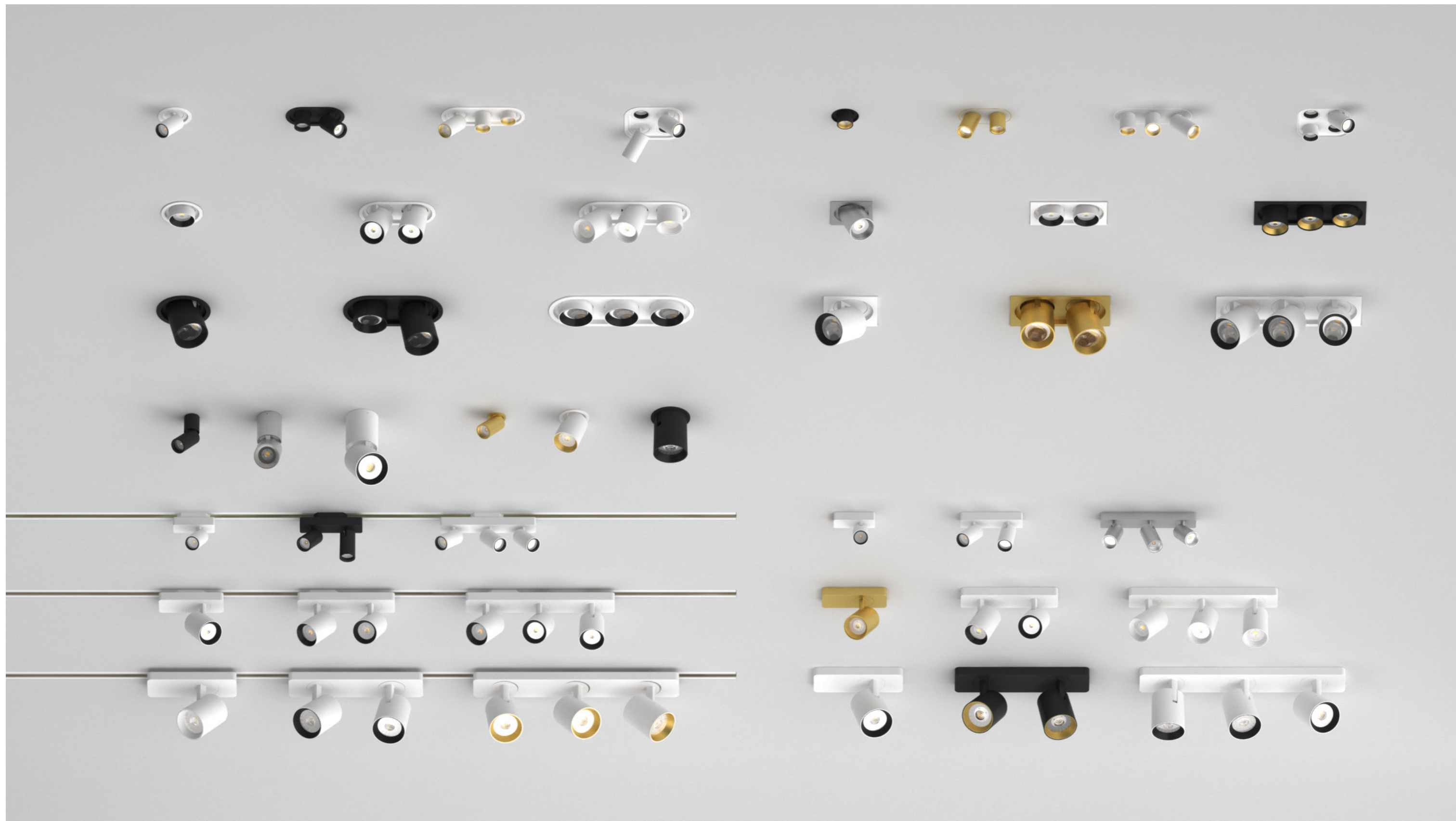
White + White

White + Black

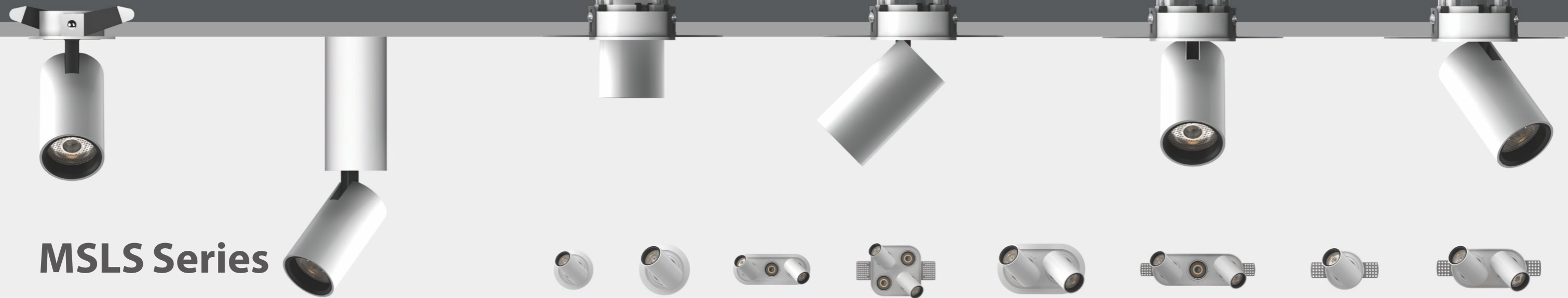
Black + Gold

Black + Black





MSLS SERIES



MSLS Series

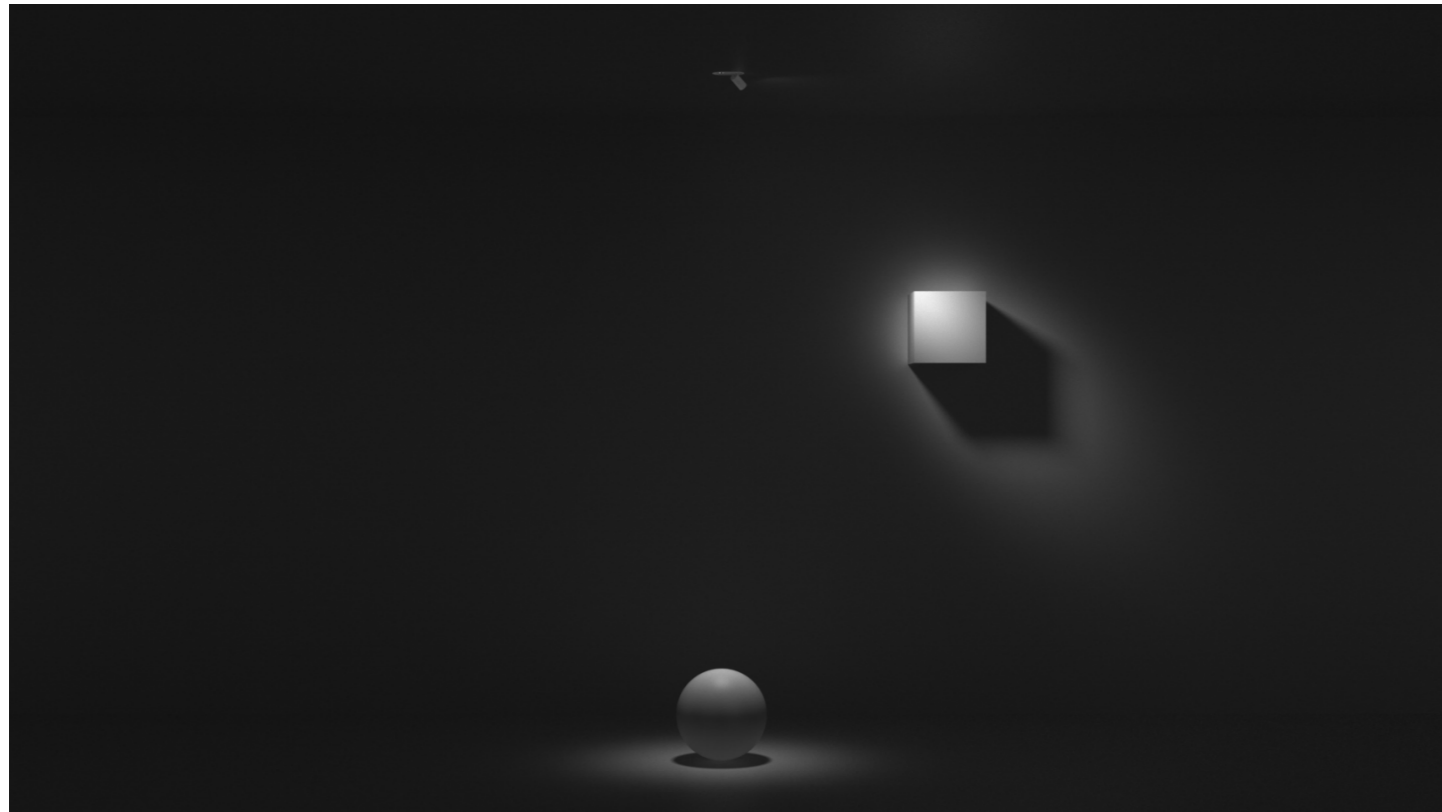
Adjustable Recessed Spot

Adjust freely: horizontal 355°+vertical 90°
Multiple frame available, single/double/triple/tetrad/, framed/frameless installation
suitable for multifarious space.



MSLK Series





REMOVE



REPLACE



COMBINATION

Combination, more than one

Family mold design, improve the versatility of the lamp module, achieve a multi-purpose lamp; Can be combined with Linan series, light efficiency, flexible one without leakage.

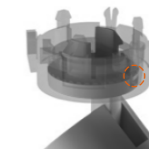


Split structure

1 The stretching lamp holder contains a height adjusting fixing chute. The lamp body can be fixed in the middle without slipping.



2 Rotating clasp with positioning groove for fixing rotation angle to make lamp adjust more accurately.



3 Main body lamp body.

4 Light Source Chip.

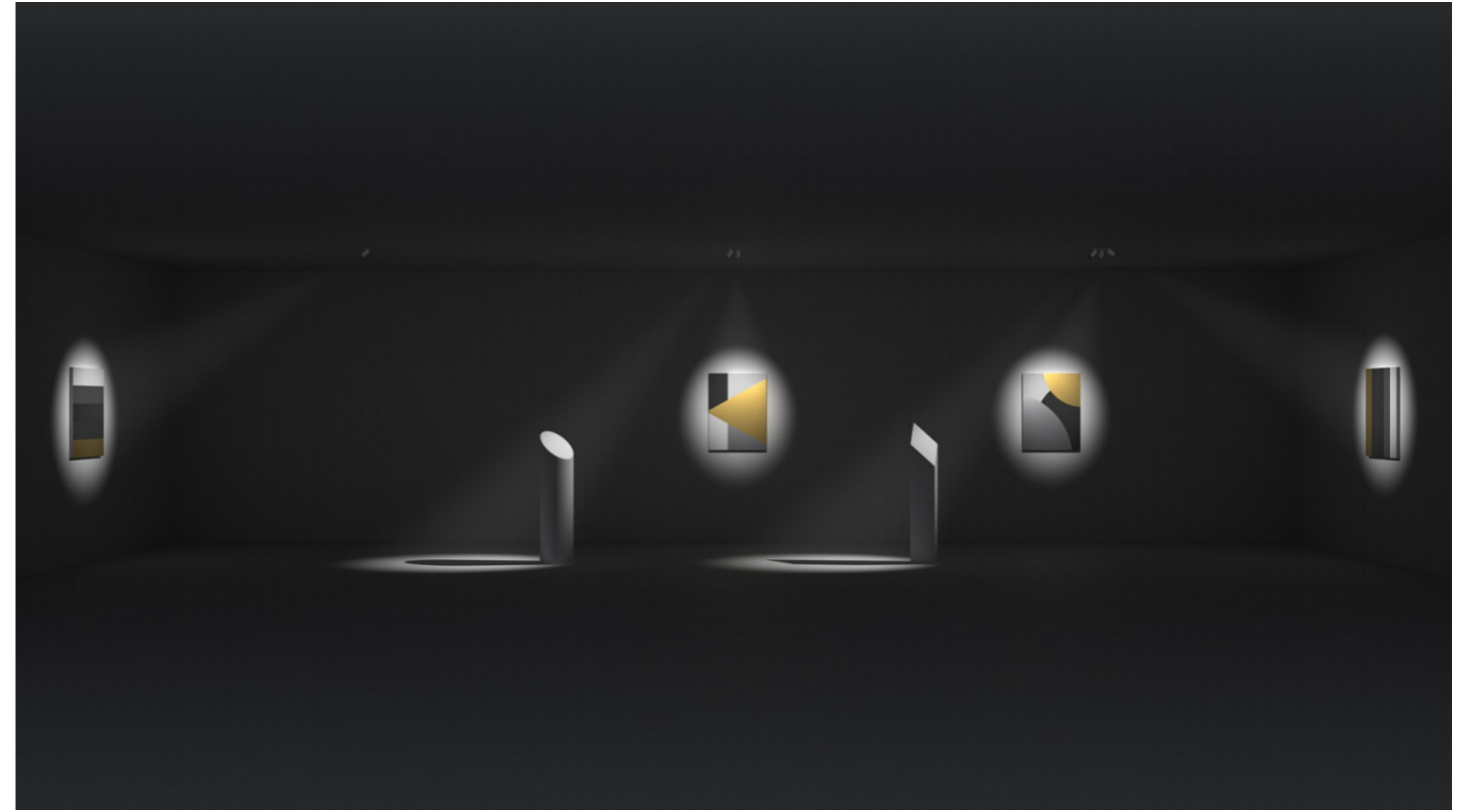
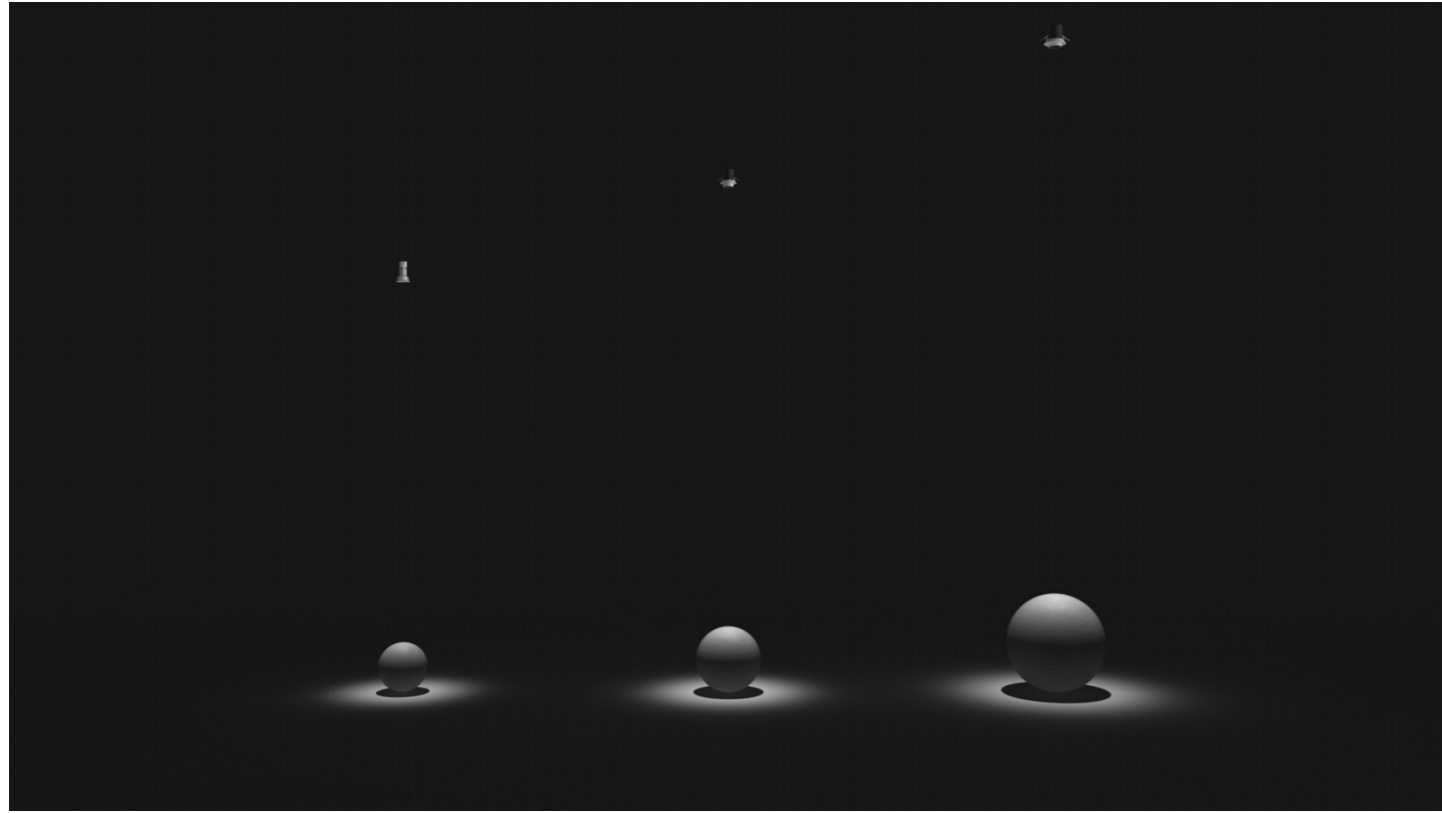
5 Chip Bracket.

6 Nano Reflector Cup.

7 High Definition Lens.

8 Fixed front ring, optional three color replacement, white/black/gold.





6W
Cutout 52mm



6W
Cutout 70mm



12W
Cutout 90mm



28W
Cutout 120mm



SINGLE



DUAL



TRIPLE



TETRAD

Brightness, more than one

Three kinds of power specifications are available to suit different layers.

Flexibility, more than one

Various installation structures are optional, family design, enhance visual unity; Let the light move at will to maximize the value of light efficiency.






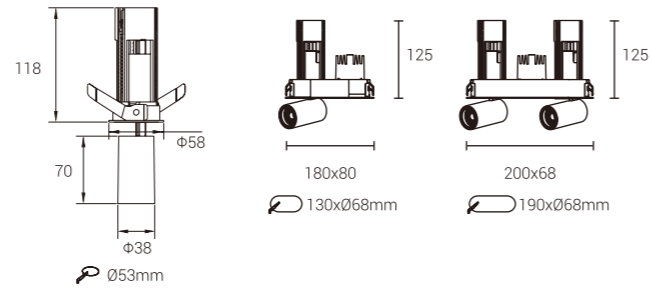




Power
6W
Framed

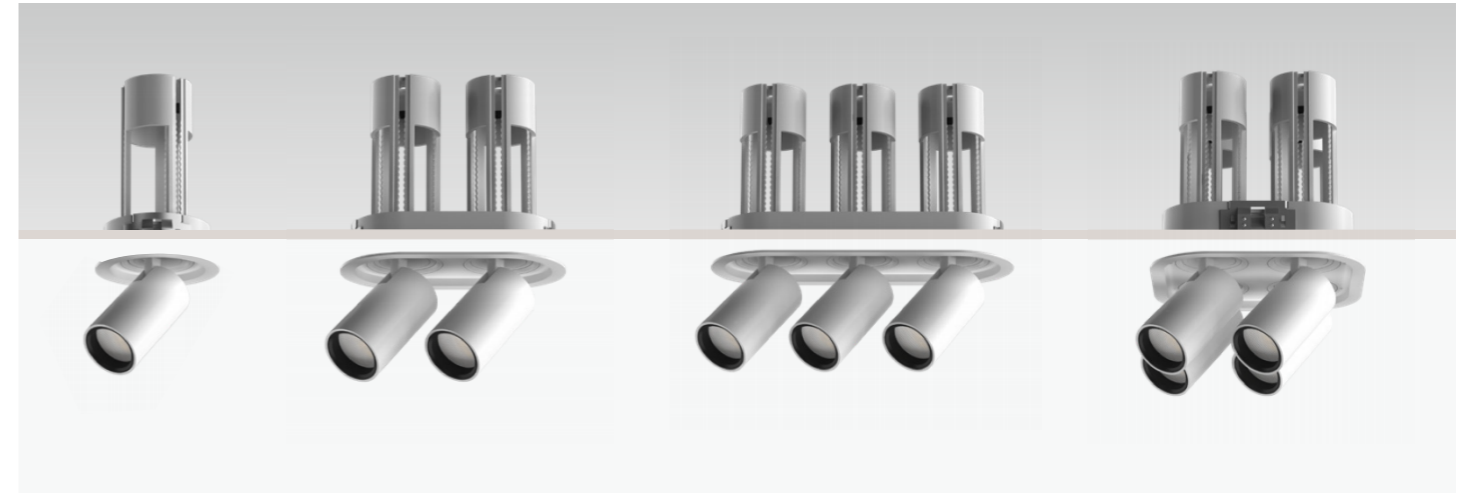


Colour:  White  Black  Gold  Chrome  Silver



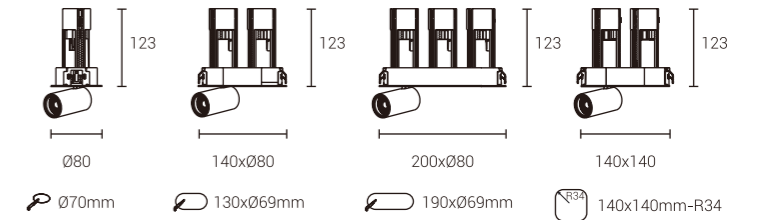
MSLS0601 / MSLS0621 / MSLS0631

Model: MSLS0601	Model: MSLS0621	Model: MSLS0631
Power: 6W	Power: 2X6W	Power: 3X6W
Cutout: Ø53mm	Cutout: 130XØ80mm	Cutout: 190XØ68mm
Size(WxLxH):Ø58X118mm	Size(WxLxH):130X80X125mm	Size(WxLxH):200X68X125mm



Colour:  White+White  White+Black  Black+Gold  Black+Black

Optional:  Honey comb  Soft Lens  Square  Stripe

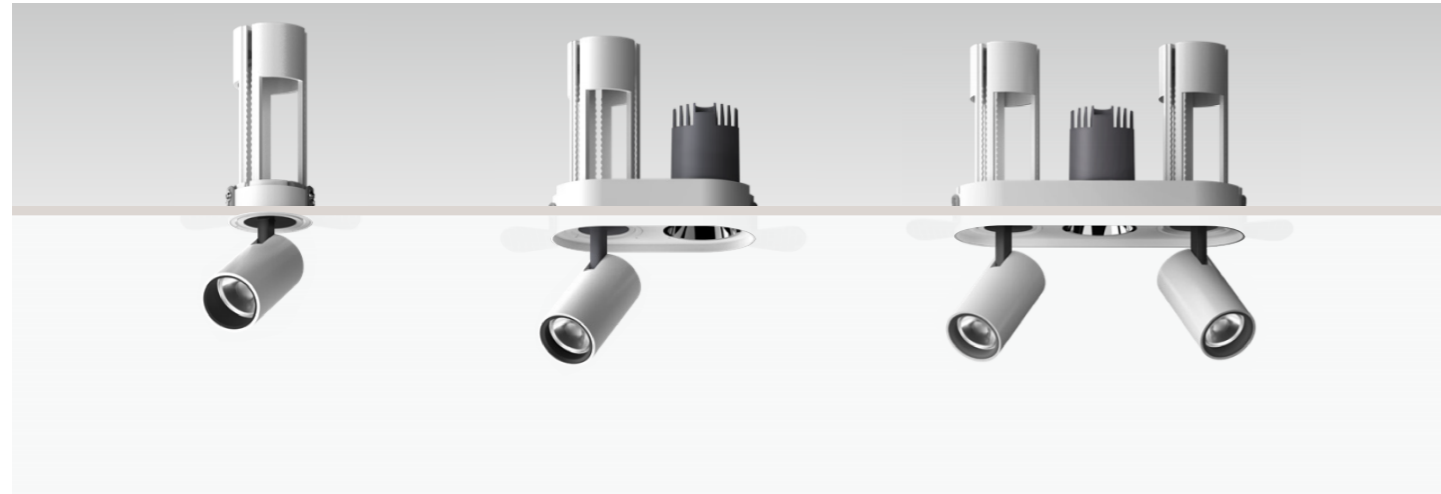


MSLS0603 / MSLS0623 / MSLS0633 / MSLS0641

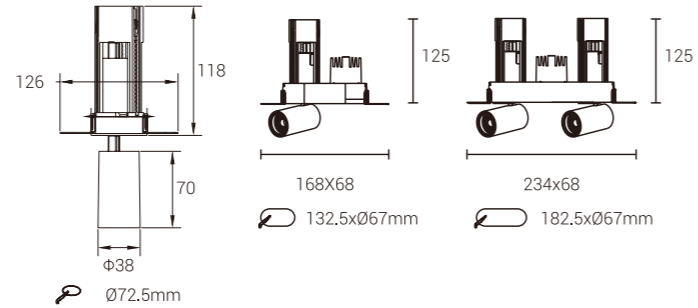
Model: MSLS0603	Model: MSLS0623	Model: MSLS0633	Model: MSLS0641
Power: 6W	Power: 2X6W	Power: 3X6W	Power: 4X6W
Cutout: Ø70mm	Cutout: 130XØ68mm	Cutout: 190XØ68mm	Cutout: 140X140mm-R34
Size(WxLxH):Ø80X123mm	Size(WxLxH):130X80X123mm	Size(WxLxH):200X80X123mm	Size(WxLxH):140X140X123mm



Power
6W
Frameless

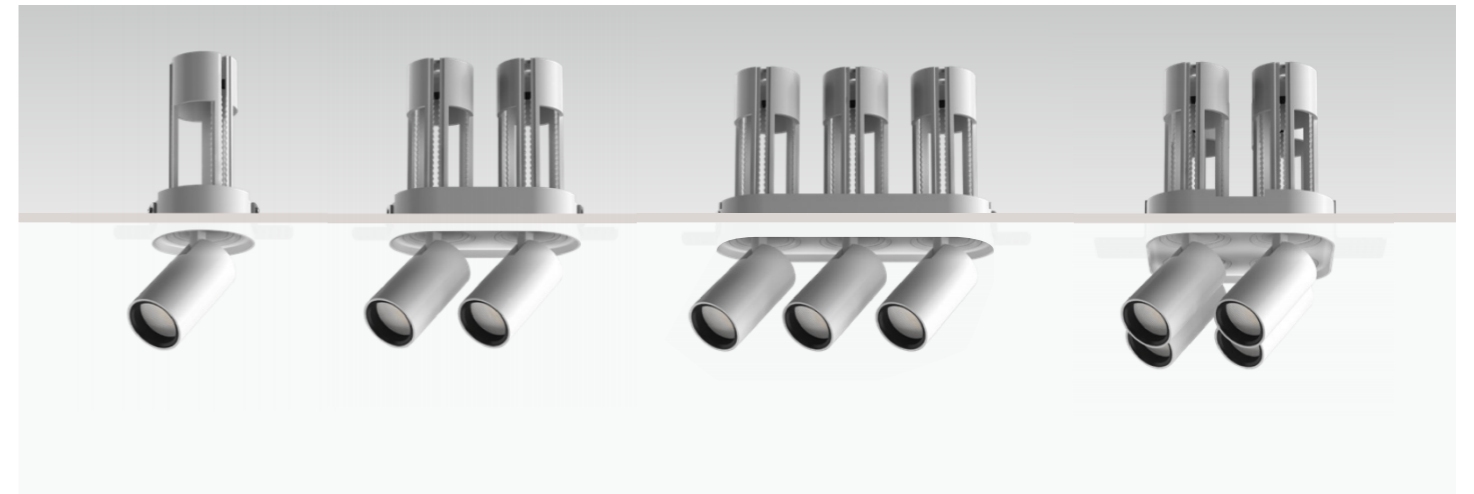


Colour:  White  Black  Gold  Chrome  Silver



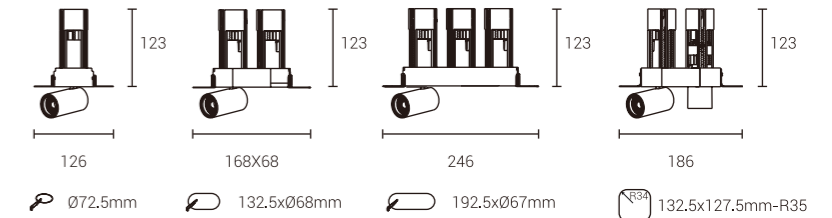
MSLS0602 / MSLS0622 / MSLS0632

Model: MSLS0602	Model: MSLS0622	Model: MSLS0632
Power: 6W	Power: 2X6W	Power: 3X6W
Cutout: Ø56mm	Cutout: 132.5X067mm	Cutout: 192.5X067mm
Size(WxLxH):Ø107X118mm	Size(WxLxH):140X80X125mm	Size(WxLxH):234X68X125mm



Colour:  White+White  White+Black  Black+Gold  Black+Black

Optional:  Honey comb  Soft Lens  Square  Stripe



MSLS0604 / MSLS0624 / MSLS0634 / MSLS0642

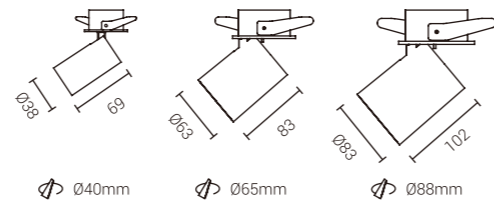
Model: MSLS0604	Model: MSLS0624	Model: MSLS0634	Model: MSLS0642
Power: 6W	Power: 2X6W	Power: 3X6W	Power: 4X6W
Cutout: Ø72.5mm	Cutout: 132.5X067mm	Cutout: 192.5X067mm	Cutout: 132.5X127.5mm-R35
Size(WxLxH):Ø126X123mm	Size(WxLxH):186X66X123mm	Size(WxLxH):246X66X123mm	Size(WxLxH):186X126X123mm



Framed

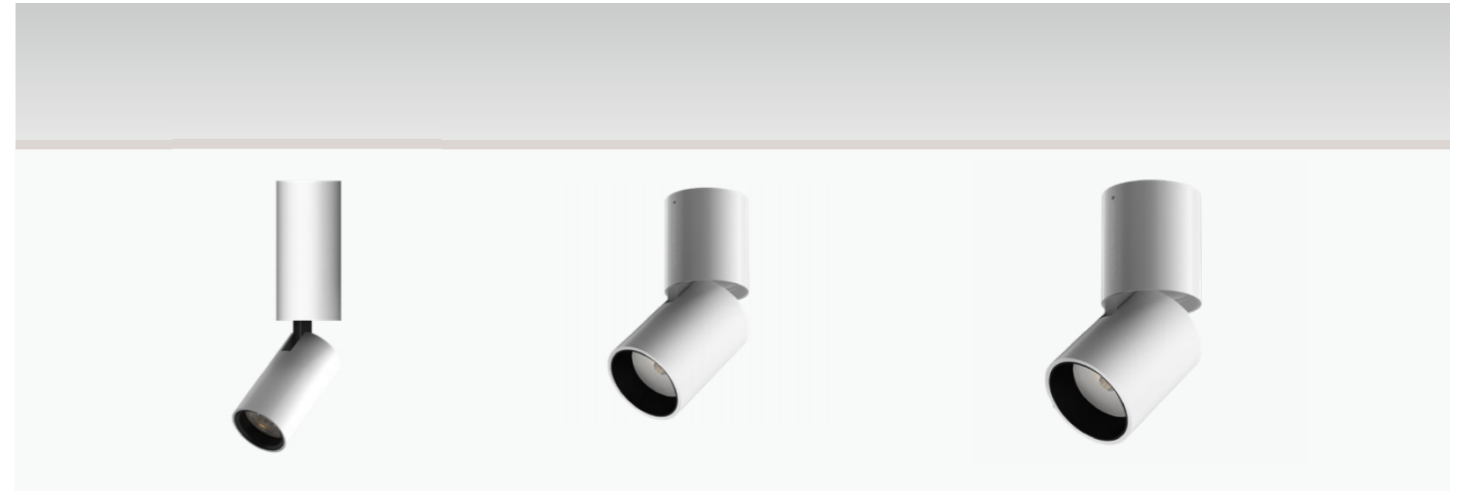


- Colour:
- Optional:

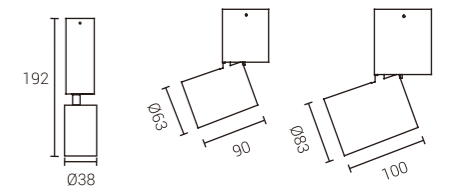


MSLS0607 / MSLS1201 / MSLS2501

Model: MSLS0607	Model: MSLS1201	Model: MSLS2501
Power: 6W	Power: 12W	Power: 25W
Cutout: Ø40mm	Cutout: Ø66mm	Cutout: Ø88mm
Size(WxLxH): Ø38X69mm	Size(WxLxH): Ø63X83mm	Size(WxLxH): Ø83X102mm



- Colour:
- Optional:

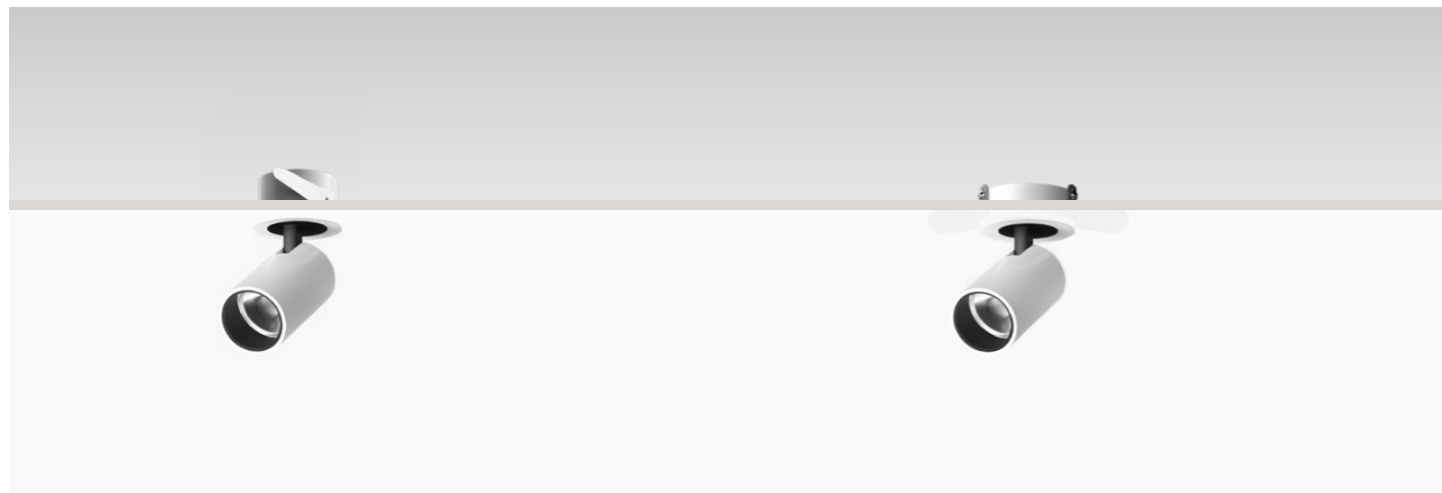


MSLS-SM0601 / MSLS-SM1201 / MSLS-SM2501

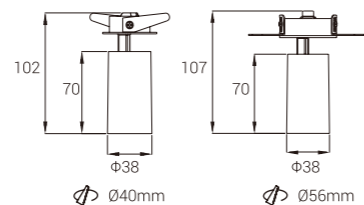
Model: MSLS-SM0601	Model: MSLS-SM1201	Model: MSLS-SM2501
Power: 6W	Power: 12W	Power: 25W
Install: Surface Mounted	Install: Surface Mounted	Install: Surface Mounted
Size(WxLxH): Ø38X192mm	Size(WxLxH): Ø63X90mm	Size(WxLxH): Ø83X100mm



Frameless



- Colour:
- White
 - Black
 - Gold
 - Chrome
 - Silver



MSLS0608 / MSLS0609

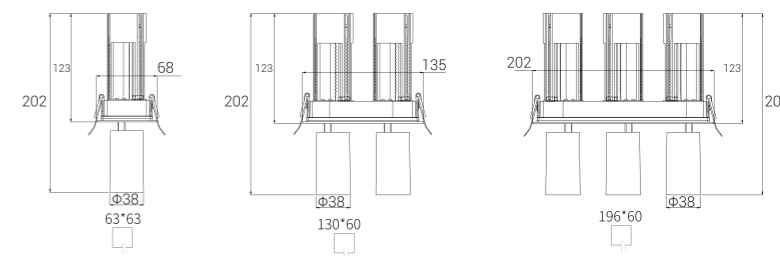
Model: MSLS0608	Model: MSLS0609
Power: 6W	Power: 6W
Cutout: Ø40mm	Cutout: Ø56mm
Size(WxLxH):Ø50X38X102mm	Size(WxLxH):Ø50X38X107mm

Framed



- Colour:
- White+White
 - White+Black
 - Black+Gold
 - Black+Black

- Optional:
- Honey comb
 - Soft Lens
 - Square
 - Stripe



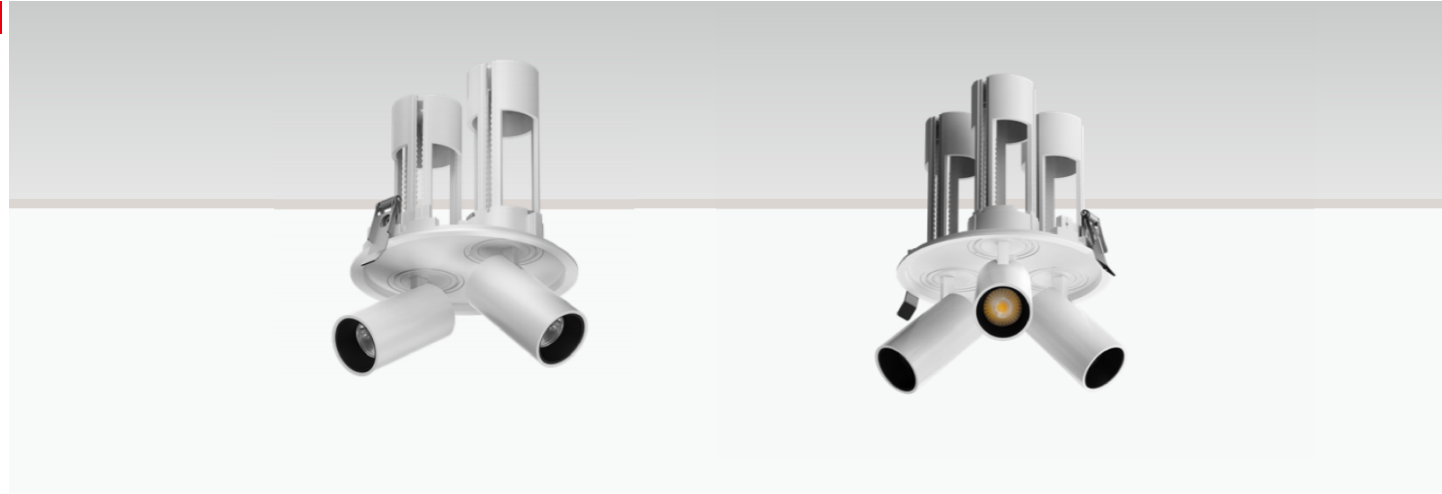
MSLS0605 / MSLS0625 / MSLS0635

Model: MSLS0605	Model: MSLS0625	Model: MSLS0635
Power: 6W	Power: 2X6W	Power: 3X6W
Cutout: Ø63X63mm	Cutout: Ø130X60mm	Cutout: 196X60mm
Size(WxLxH):Ø38X68X202mm	Size(WxLxH):Ø38X135X202mm	Size(WxLxH):Ø38X202X202mm

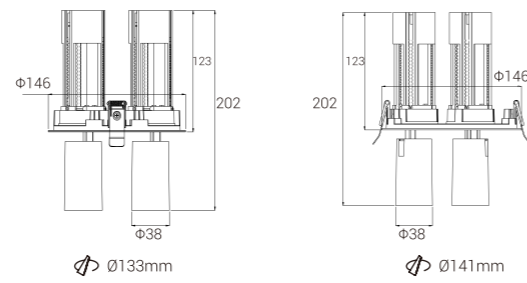


Framed

NEW

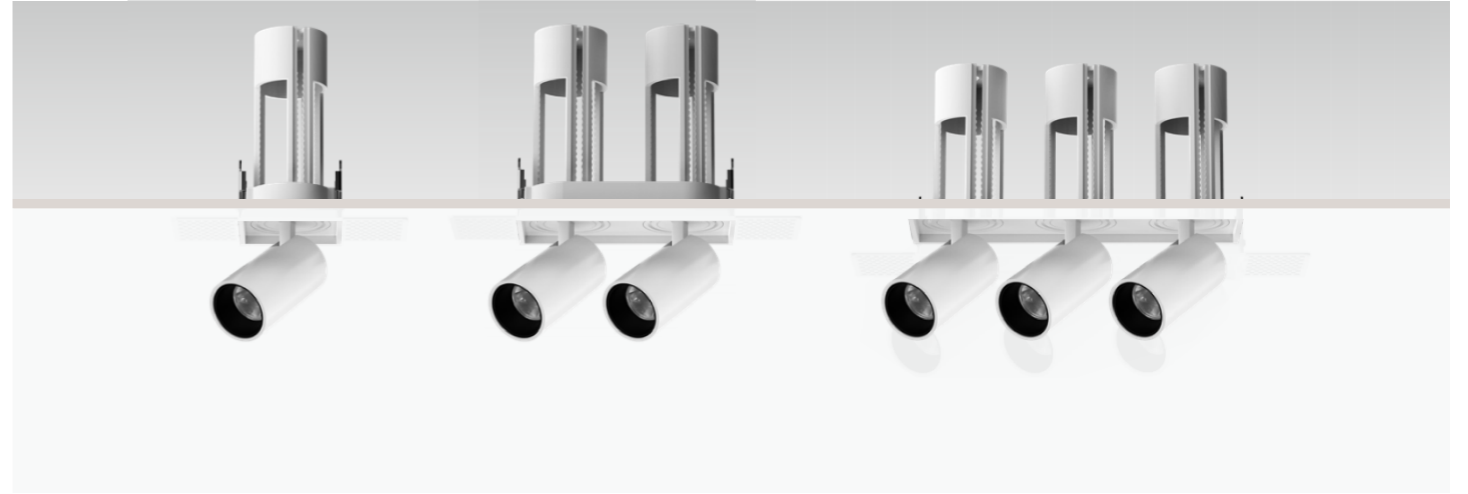


- Colour:
- White+White
 - White+Black
 - Black+Gold
 - Black+Black
- Optional:
- Honey comb
 - Soft Lens
 - Square
 - Stripe

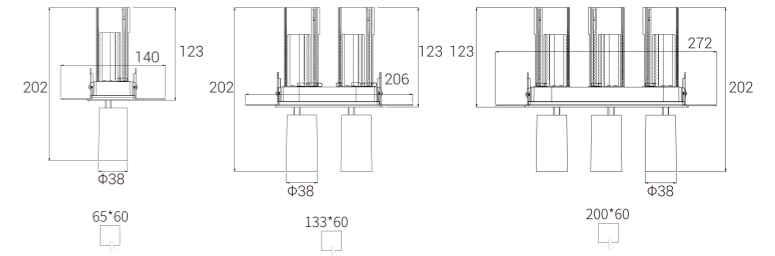


MSLS0627 / MSLS0327

Model: MSLS0627	Model: MSLS0327
Power: 6WX2	Power: 6WX3
Cutout: Ø133mm	Cutout: Ø141mm
Size(WxLxH):Ø38X146X202mm	Size(WxLxH):Ø38X146X202mm



- Colour:
- White+White
 - White+Black
 - Black+Gold
 - Black+Black
- Optional:
- Honey comb
 - Soft Lens
 - Square
 - Stripe



MSLS0606 / MSLS0626 / MSLS0636

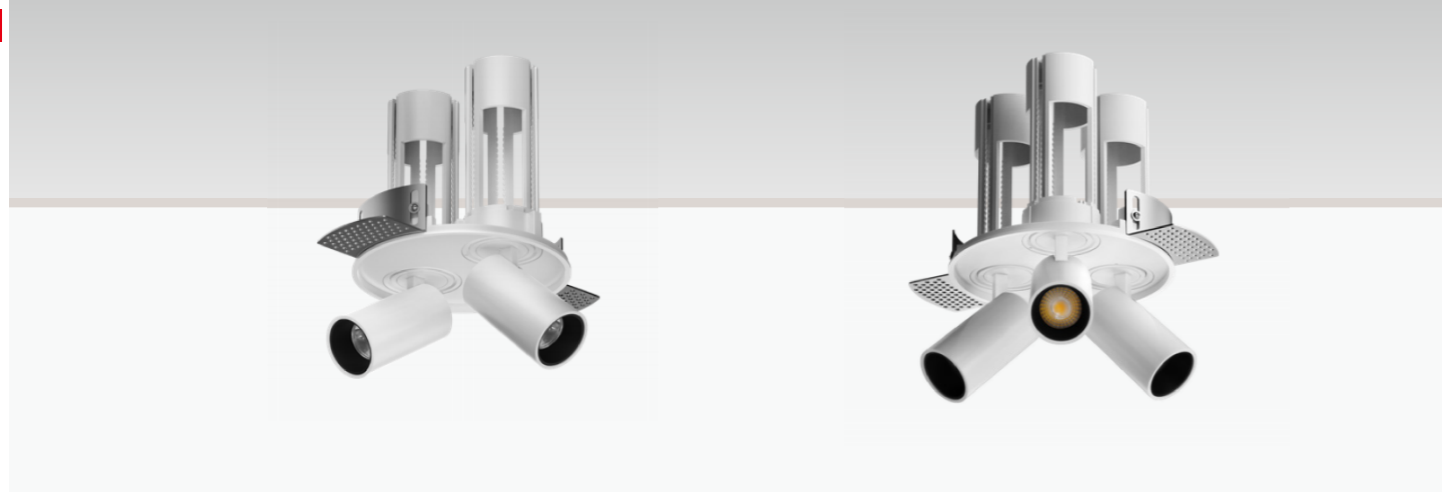
Model: MSLS0606	Model: MSLS0626	Model: MSLS0636
Power: 6W	Power: 2X6W	Power: 3X6W
Cutout: 65X60mm	Cutout: 133X60mm	Cutout: 200X60mm
Size(WxLxH):Ø38X140X202mm	Size(WxLxH):Ø38X206X202mm	Size(WxLxH):Ø38X272X202mm



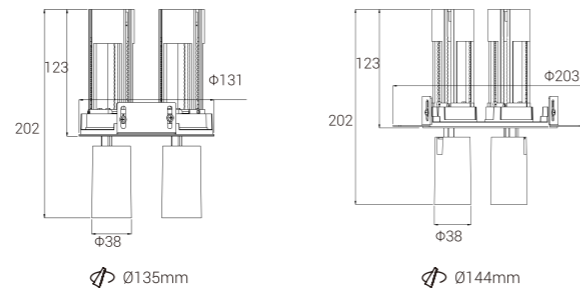
MSLS SERIES

ADJUSTABLE SPOT
Frameless

NEW

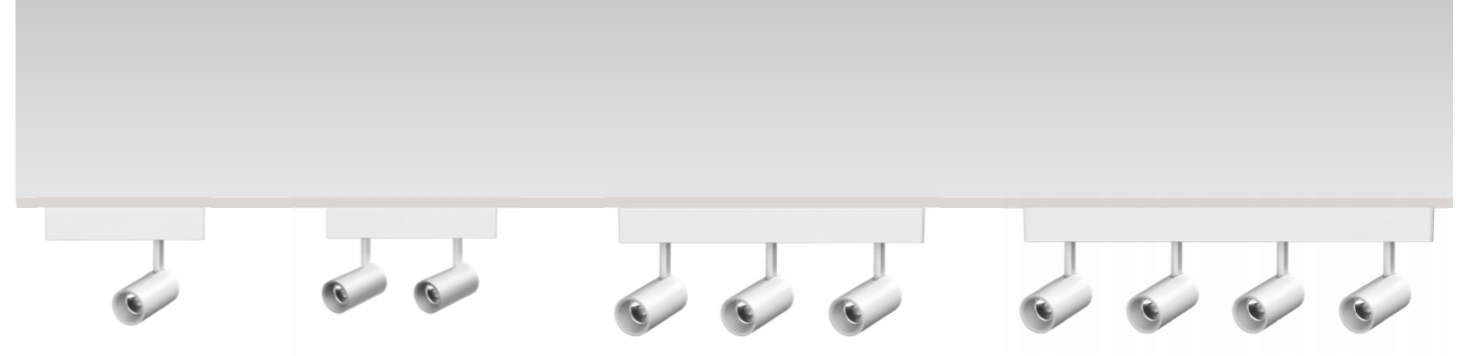







- Colour:
-  White+White
 -  White+Black
 -  Black+Gold
 -  Black+Black
- Optional:
-  Honey comb
 -  Soft Lens
 -  Square
 -  Stripe

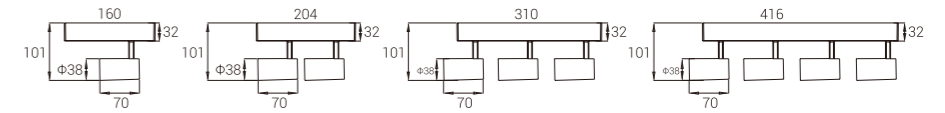


MSLS0628 / MSLS0328

Model: MSLS0628	Model: MSLS0328
Power: 6WX2	Power: 6WX3
Cutout: Ø135mm	Cutout: Ø144mm
Size(WxLxH): Ø38X131X202mm	Size(WxLxH): Ø38X203X202mm



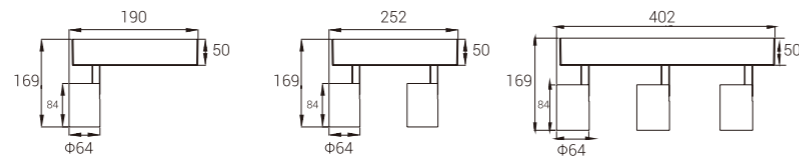
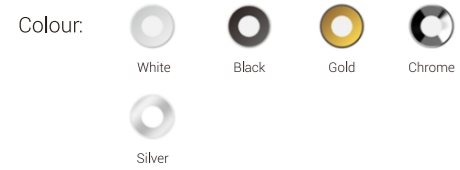
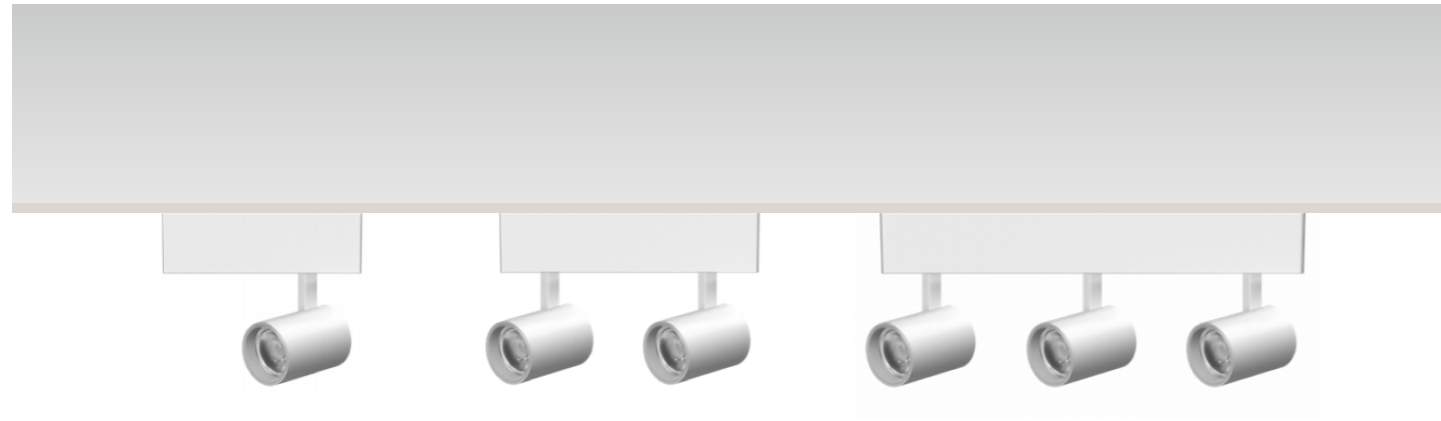
- Colour:
-  White
 -  Black
 -  Gold
 -  Chrome
-  Silver



MSSM0611 / MSSM0621 / MSSM0631 / MSSM0641

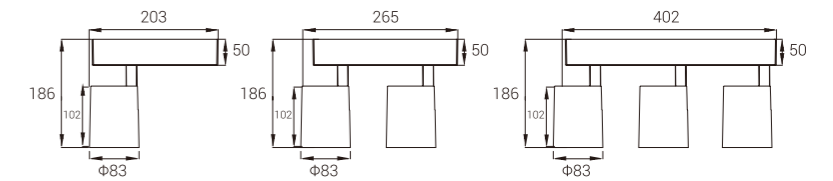
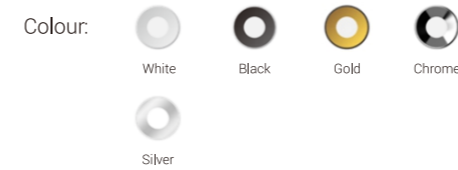
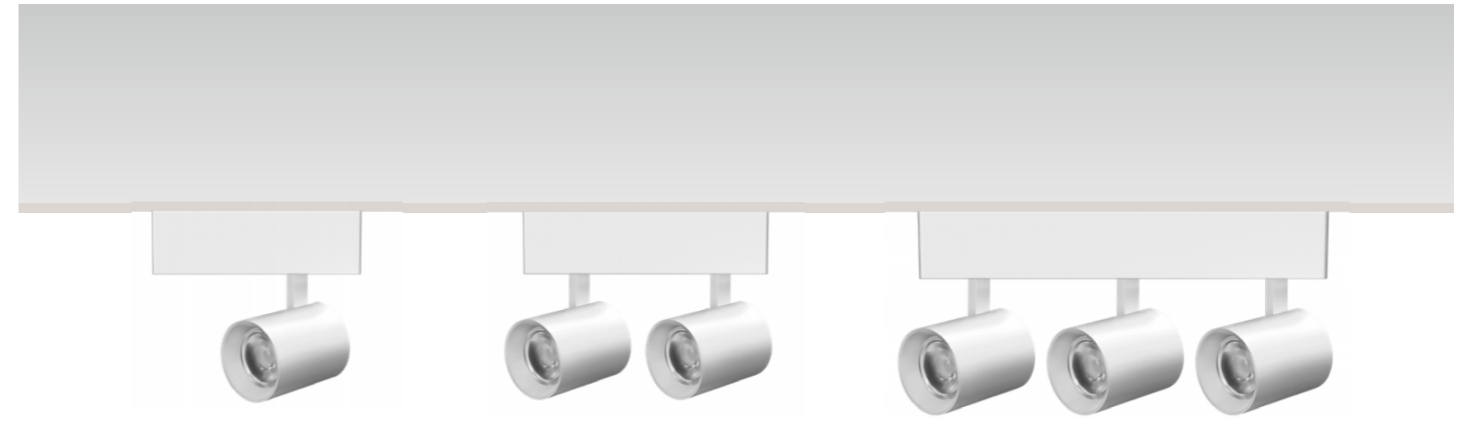
Model: MSSM0611	Model: MSSM0621	Model: MSSM0631	Model: MSSM0641
Power: 6W	Power: 2X6W	Power: 3X6W	Power: 4X6W
Size(WxLxH): Ø38X69mm	Size(WxLxH): Ø38X69mm	Size(WxLxH): Ø38X69mm	Size(WxLxH): Ø38X69mm
Driver Box: 32X38X160mm	Driver Box: 32X38X204mm	Driver Box: 32X38X310mm	Driver Box: 32X38X416mm





MSSM1211 / MSSM1221 / MSSM1231

Model: MSSM1211	Model: MSSM1221	Model: MSSM1231
Power: 12W	Power: 2X12W	Power: 3X12W
Size(WxLxH): Ø63X83mm	Size(WxLxH): Ø63X83mm	Size(WxLxH): Ø63X83mm
Driver Box: 50X58X190mm	Driver Box: 50X58X252mm	Driver Box: 50X58X420mm

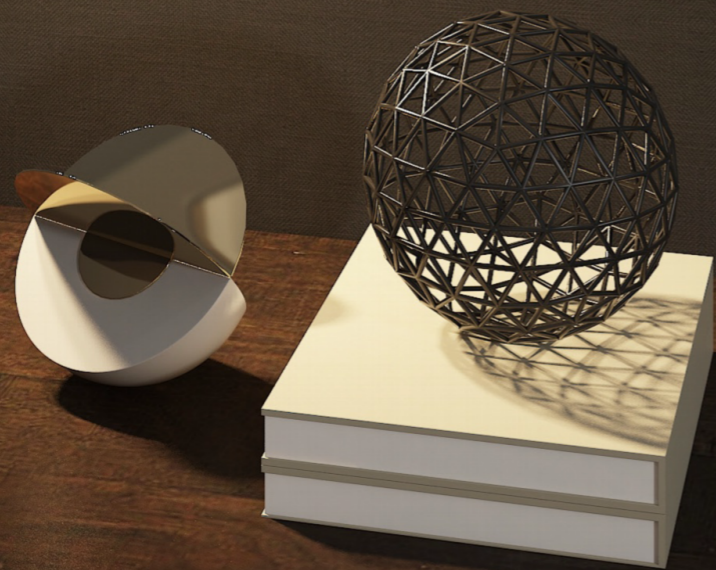


MSSM2511 / MSSM2521 / MSSM2531

Model: MSSM2511	Model: MSSM2521	Model: MSSM2531
Power: 25W	Power: 2X25W	Power: 3X25W
Size(WxLxH): Ø83X102mm	Size(WxLxH): Ø83X102mm	Size(WxLxH): Ø83X102mm
Driver Box: 50X58X190mm	Driver Box: 50X58X252mm	Driver Box: 50X58X420mm

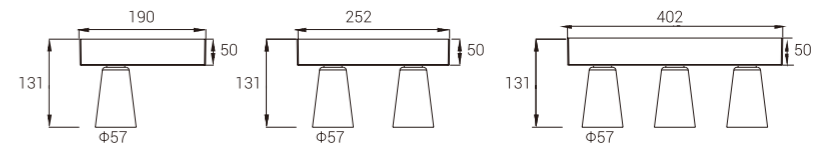
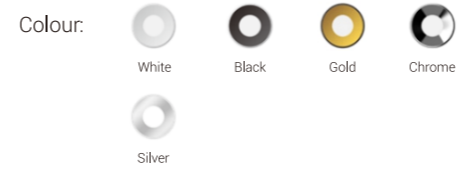
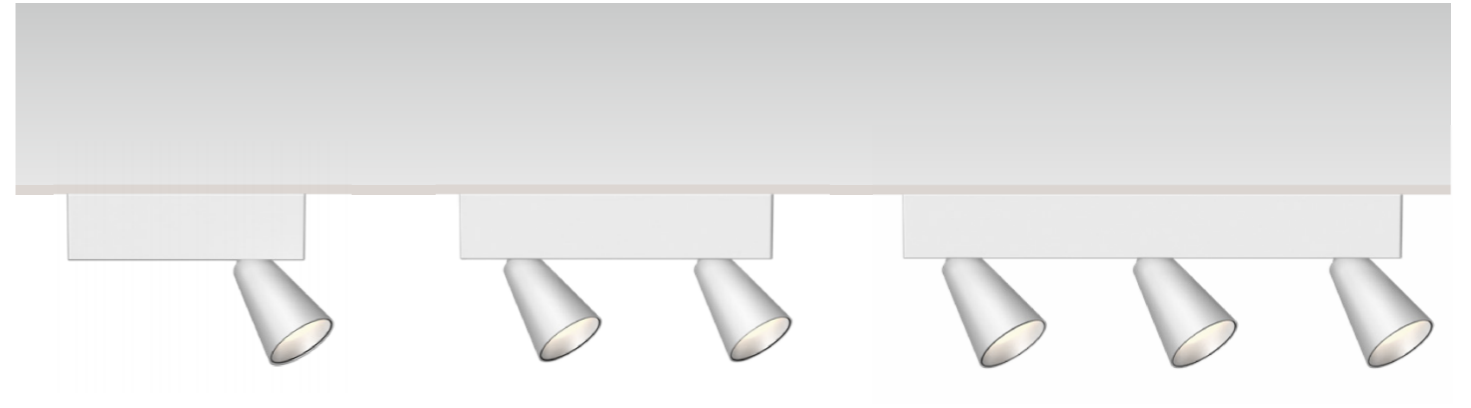


MSSM SERIES



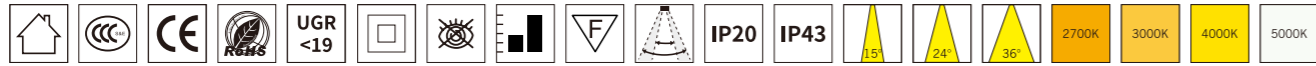
LAMPYHOTELOWE.PL

NEW



MSSM0811 / MSSM0821 / MSSM0831

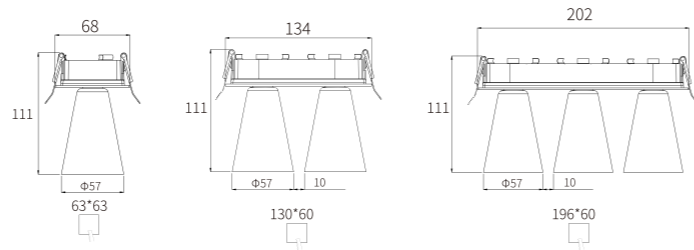
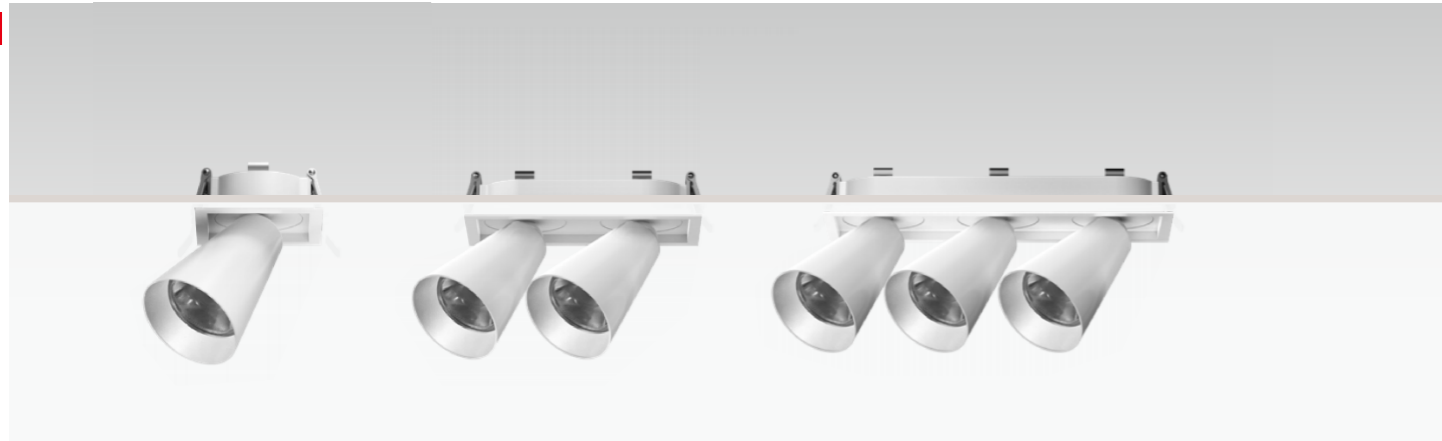
Model: MSSM0811	Model: MSSM0821	Model: MSSM0831
Power: 8W	Power: 2X8W	Power: 3X8W
Size(WxLxH): Ø63X83mm	Size(WxLxH): Ø63X83mm	Size(WxLxH): Ø40X60mm
Driver Box: 50X58X190mm	Driver Box: 50X58X252mm	Driver Box: 50X58X402mm



- Die-cast aluminium lamp body can effectively prevent corrosion and rust, make the lamp body fully heat dissipation, improve heat dissipation efficiency.
- It can be used as IP43 anti-fog and prevent fog and spray from contacting light source. It is suitable for kitchen and toilet.
- Two optical structures: fixed direct/adjustable oblique.
- Equipped with an extremely narrow beam Angle, can be from different angles to accurately illuminate the subject.

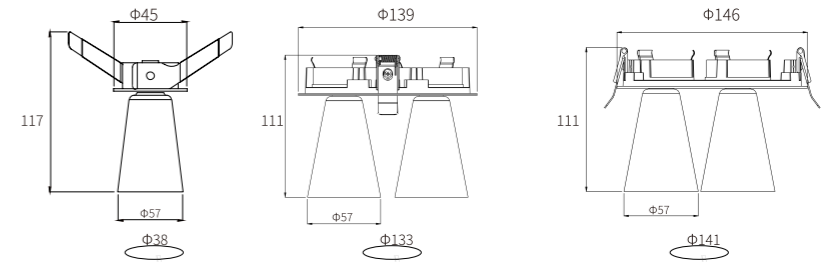
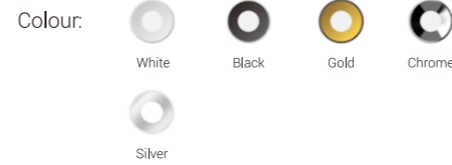


NEW



MSSM-RM0811 / MSSM-RM0821 / MSSM-RM0831

Model: MSSM-RM 0811	Model: MSSM-RM0821	Model: MSSM-RM0831
Power: 8W	Power: 2X8W	Power: 3X8W
Cutout: 63X63mm	Cutout: 130X60mm	Cutout: 196X60mm
Size(WxLxH): 68X111X68mm	Size(WxLxH): 134X111X68mm	Size(WxLxH): 202X111X68mm



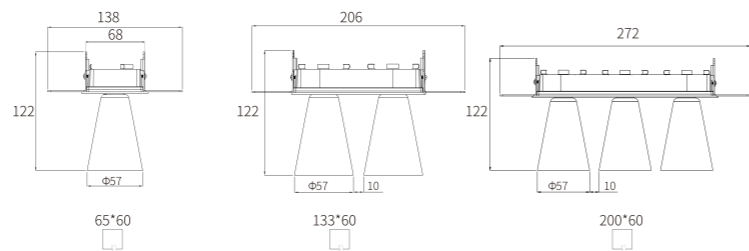
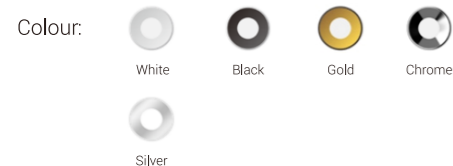
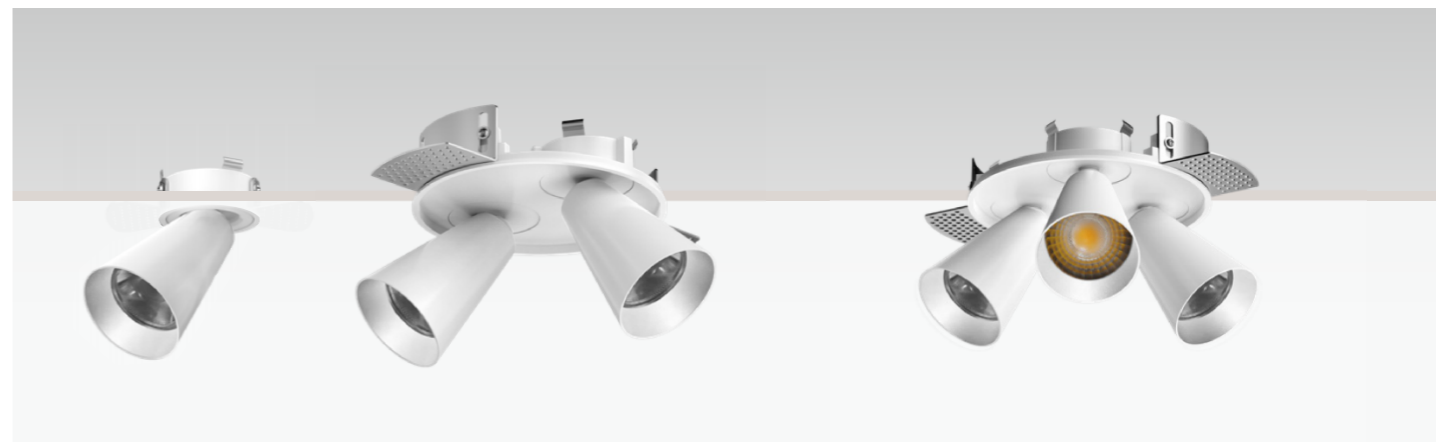
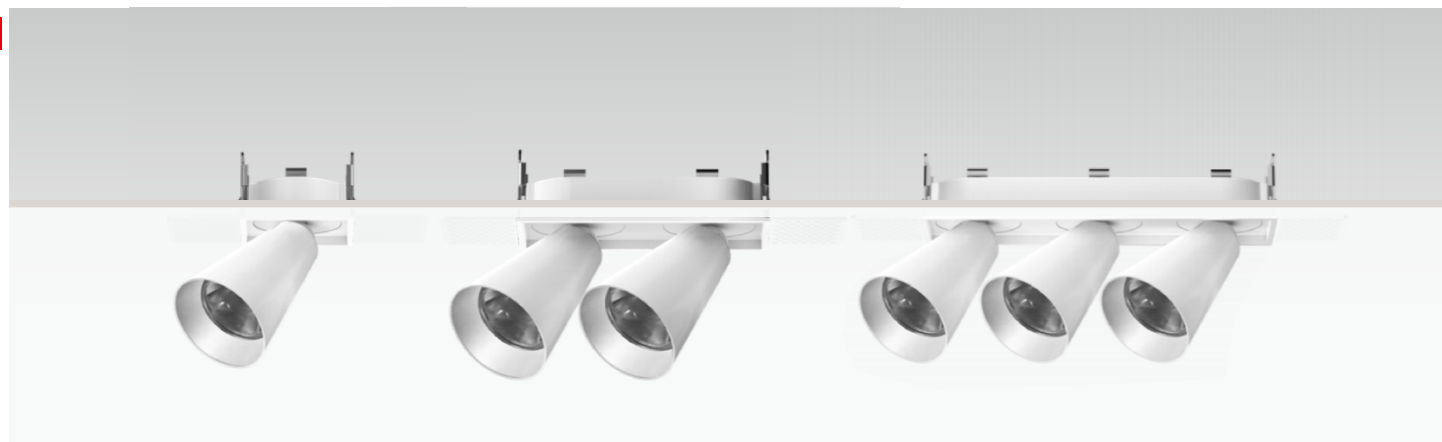
MSSM-RM0812 / MSSM-RM0822 / MSSM-RM0832

Model: MSSM-RM0812	Model: MSSM-RM0822	Model: MSSM-RM0832
Power: 8W	Power: 2X8W	Power: 3X8W
Cutout: Ø38mm	Cutout: Ø133mm	Cutout: Ø141mm
Size(WxLxH): Ø45X117mm	Size(WxLxH): Ø139X111mm	Size(WxLxH): Ø146X111mm



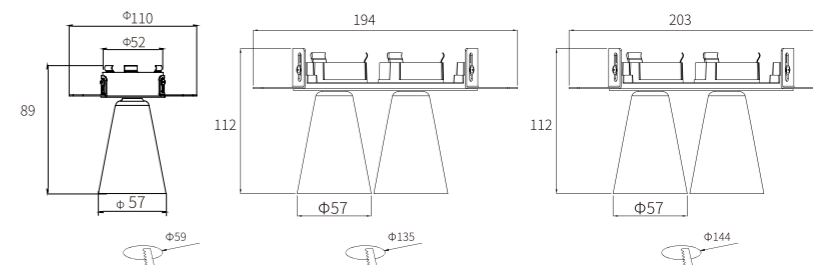
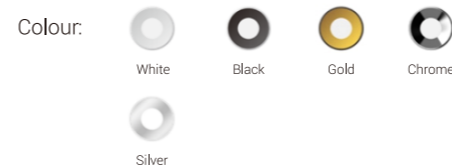
Frameless

NEW



MSSM-RM0813 / MSSM-RM0823 / MSSM-RM0833

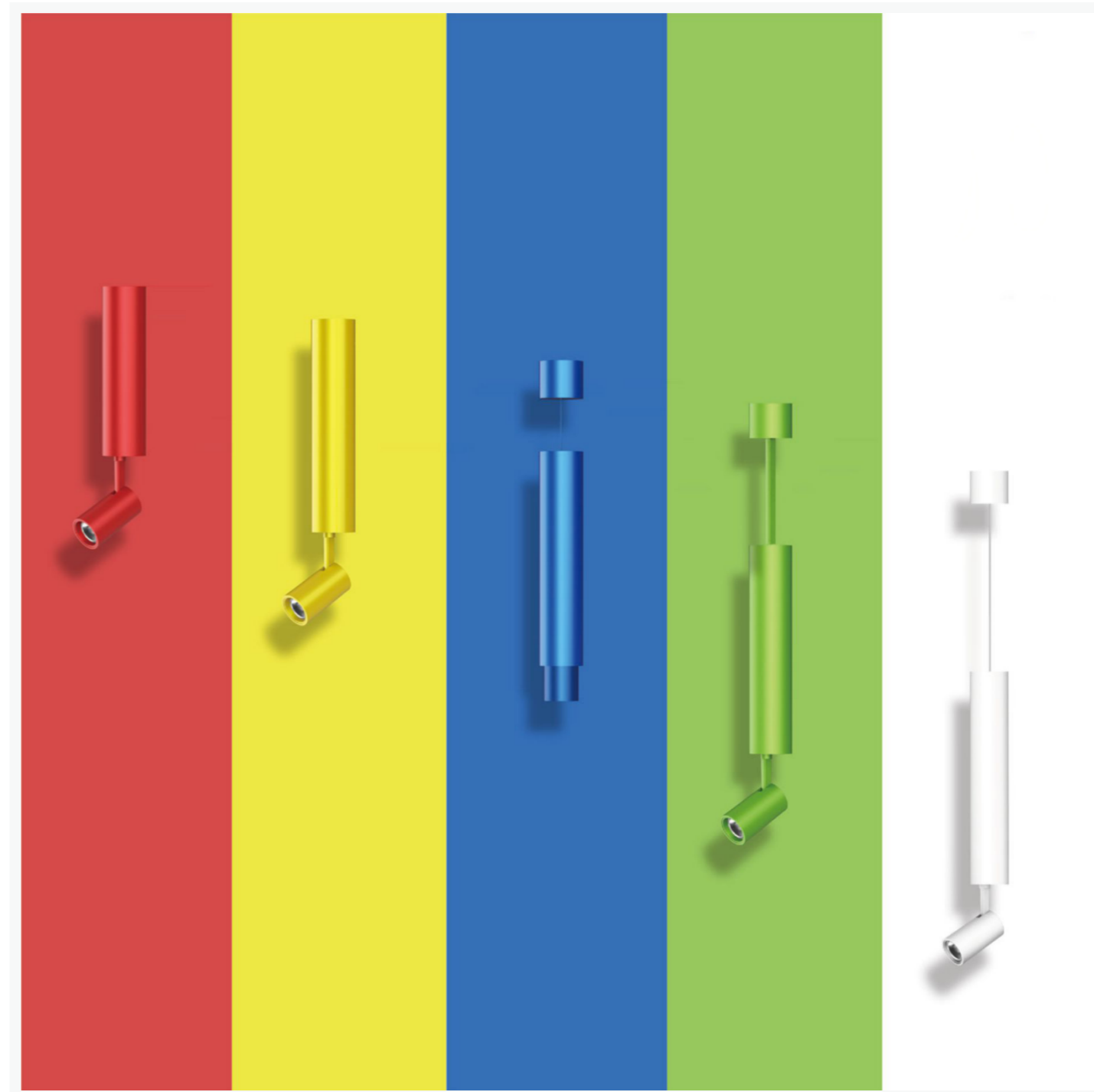
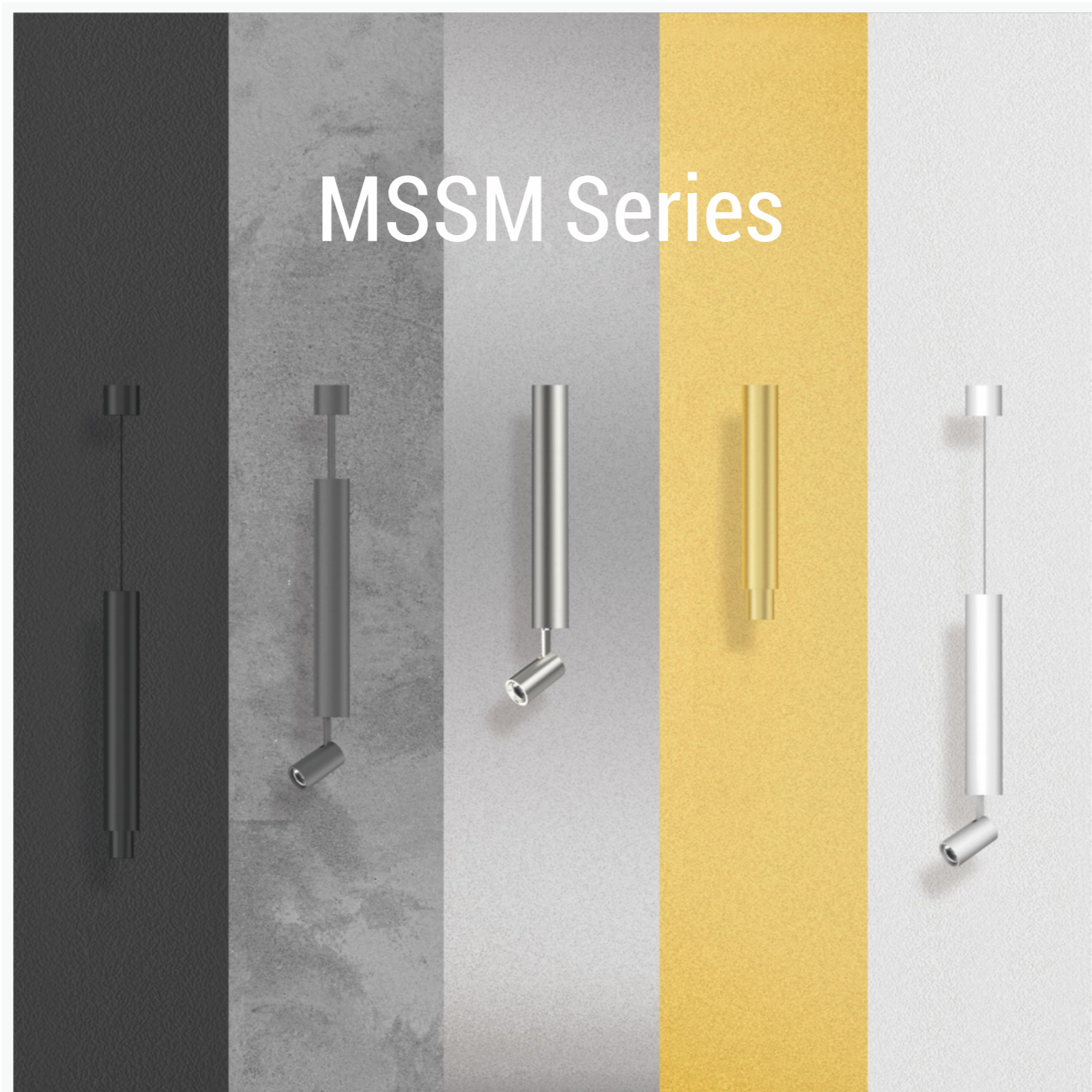
Model: MSSM-RM0813	Model: MSSM-RM0823	Model: MSSM-RM0833
Power: 8W	Power: 2X8W	Power: 3X8W
Cutout: 65X60mm	Cutout: 133X60mm	Cutout: 200X60mm
Size(WxLxH): 138X122X68mm	Size(WxLxH): 206X122X68mm	Size(WxLxH): 272X122X68mm



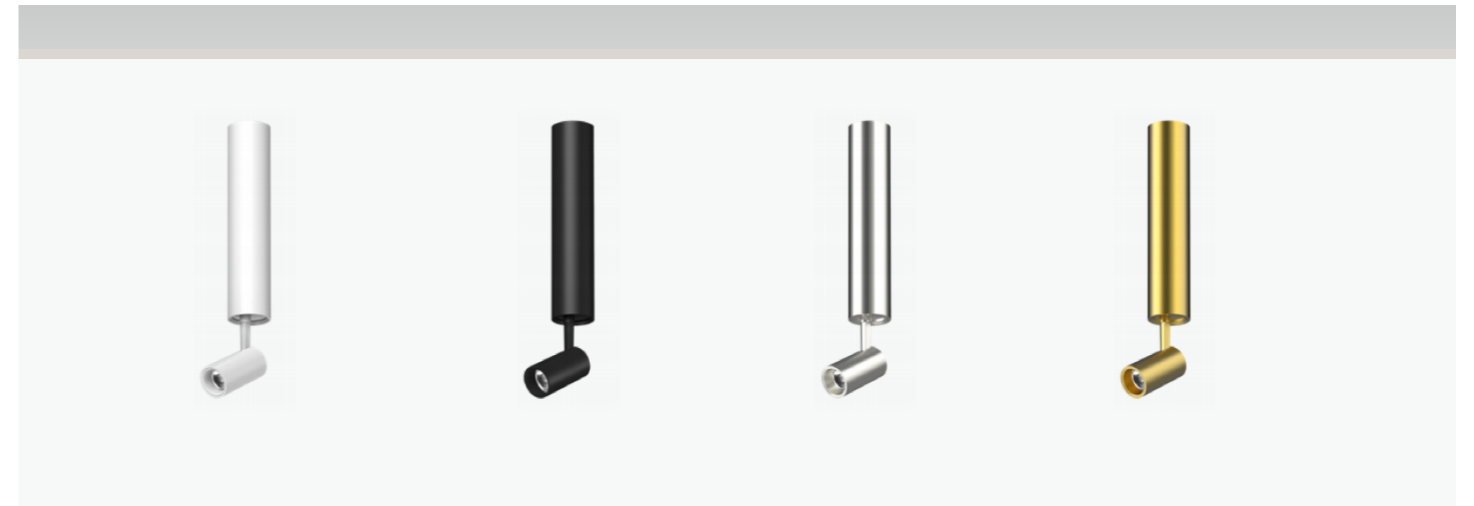
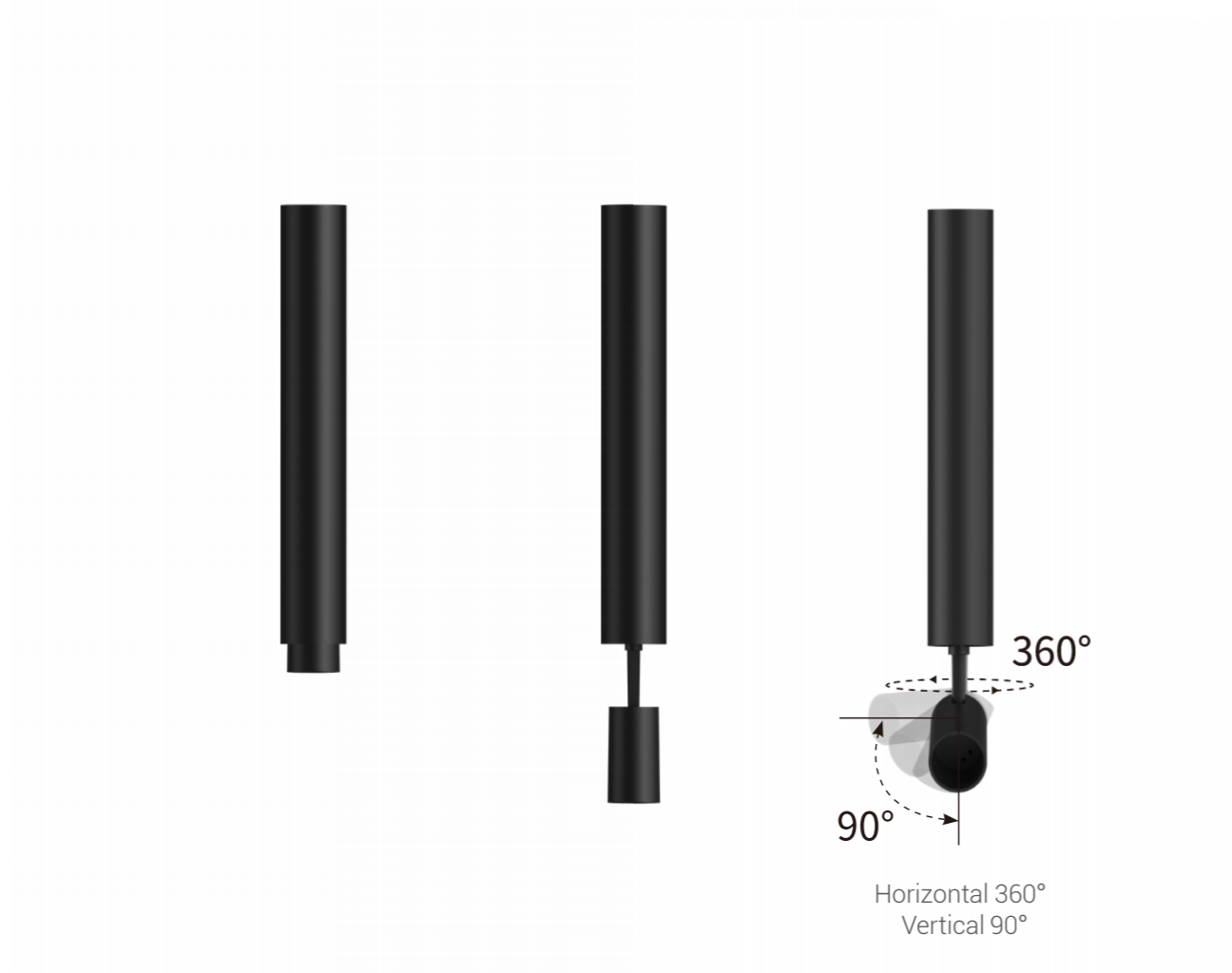
MSSM-RM0814 / MSSM-RM0824 / MSSM-RM0834

Model: MSSM-RM0814	Model: MSSM-RM0824	Model: MSSM-RM0834
Power: 8W	Power: 2X8W	Power: 3X8W
Cutout: Ø59mm	Cutout: Ø135mm	Cutout: Ø144mm
Size(WxLxH): 110X89mm	Size(WxLxH): 194X112mm	Size(WxLxH): 203X112mm

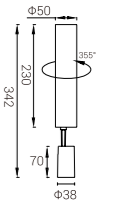




- Series design, deep anti-glare design, effectively reduce glare.
- The module rotates 355° horizontally and 60° vertically to meet different illumination angles.
- The light body can be freely stretched downward upward to meet the high demand of different layers



Colour:  White  Black  Gold



MSSM-LS0601

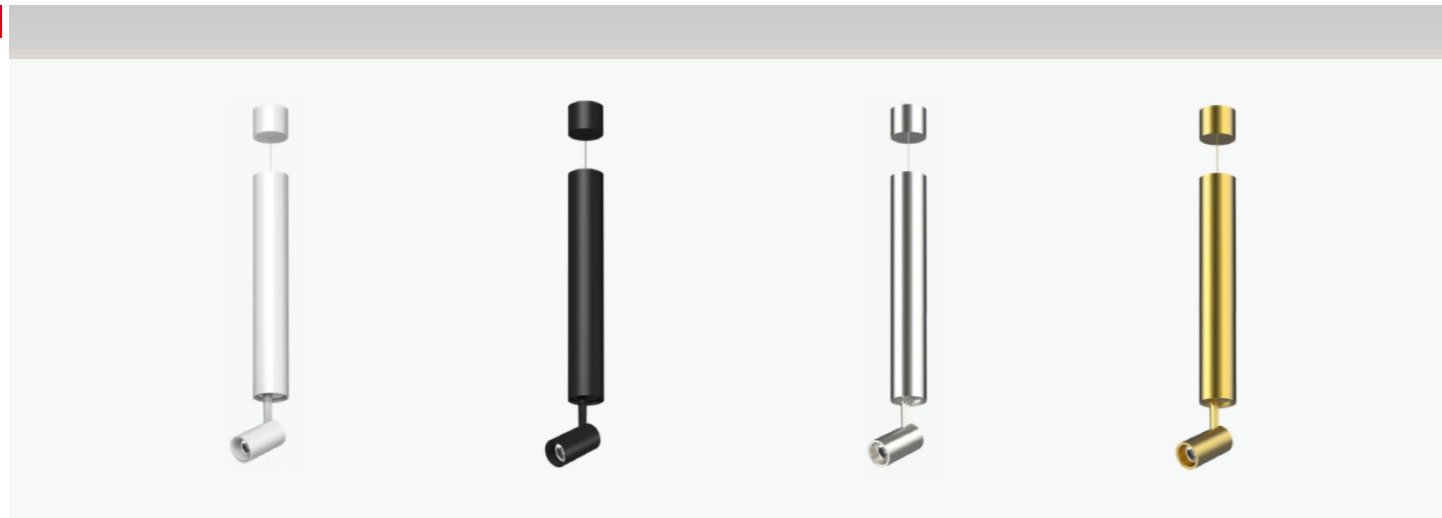
Model:	MSSM-LS0601
Power:	6W
Surface	Mounted
Light Source	CREE
Size(DxH):	Ø38X70mm
Housing Size:	Ø50X320mm

Multi angle selection

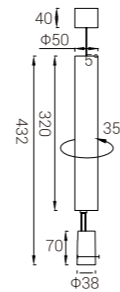
Stretchable radiator tube can be used for more purposes and more lighting scenes.



NEW



Colour:



MSSM-LS0602

Model:	MSSM-LS0602
Power:	6W
Installation:	Pendant
Light Source:	CREE
Size(DxH):	Ø38X70mm
Housing Size:	Ø50X320mm





- PK 2.0 edition only has 35mm side four-wire 2-loop guide.
- Simple structure, convenient installation, break the existing installation mode, can achieve seamless splicing, no dead corner, no dark area distribution of light scene.
- Multi-color temperature, Bluetooth or WIFI monotonic light, Bluetooth or WIFI dimming and discoloration, multi-group, scenario and other modes can be realized to reduce wiring and installation costs and achieve the purpose of intelligent light adjustment.
- 48V safety ultra-low voltage, one-line special electrical equipment configuration, clearly refers to more than 90/97, blue light hazard (<RG1), three years of quality assurance, mature stereotyping matching, safe and stable.

Magnetic profiles system

Magnetically absorbed lighting system can combine your lighting products at will according to lighting needs.

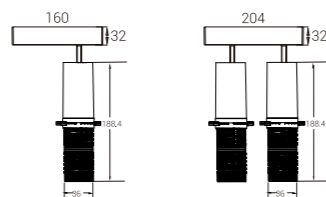
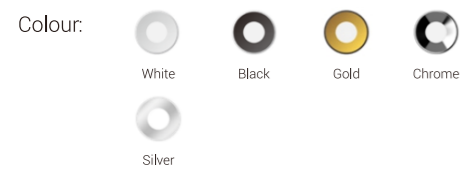
It can match floodlight lighting, key line lighting, hanging line decoration lighting, adjustable angle key lighting and wall washing lighting.

1 Supporting the original system lamp scheme developed by the Nine National Congresses, covering all space applications from point, line and surface, realizing the design of no main lamp.

2 Magnetic design for changing without any tools.

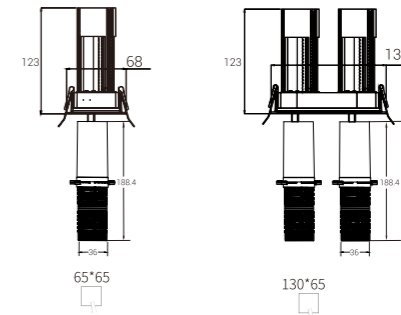
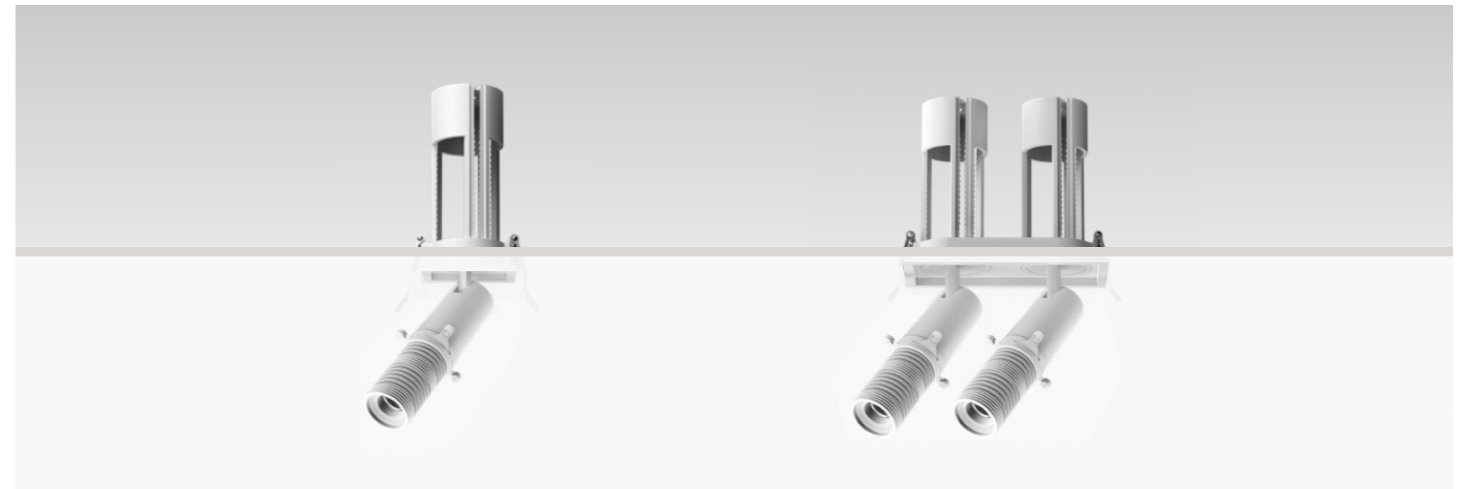
3 Sustainable Extension of Functional Plates.





MSQG0811 / MSQG0821

Model: MSQG0811	Model: MSQG0821
Power: 8W	Power: 2X8W
Size(WxLxH): Ø38X69mm	Size(WxLxH): Ø38X69mm
Driver Box: 32X38X160mm	Driver Box: 32X38X204mm

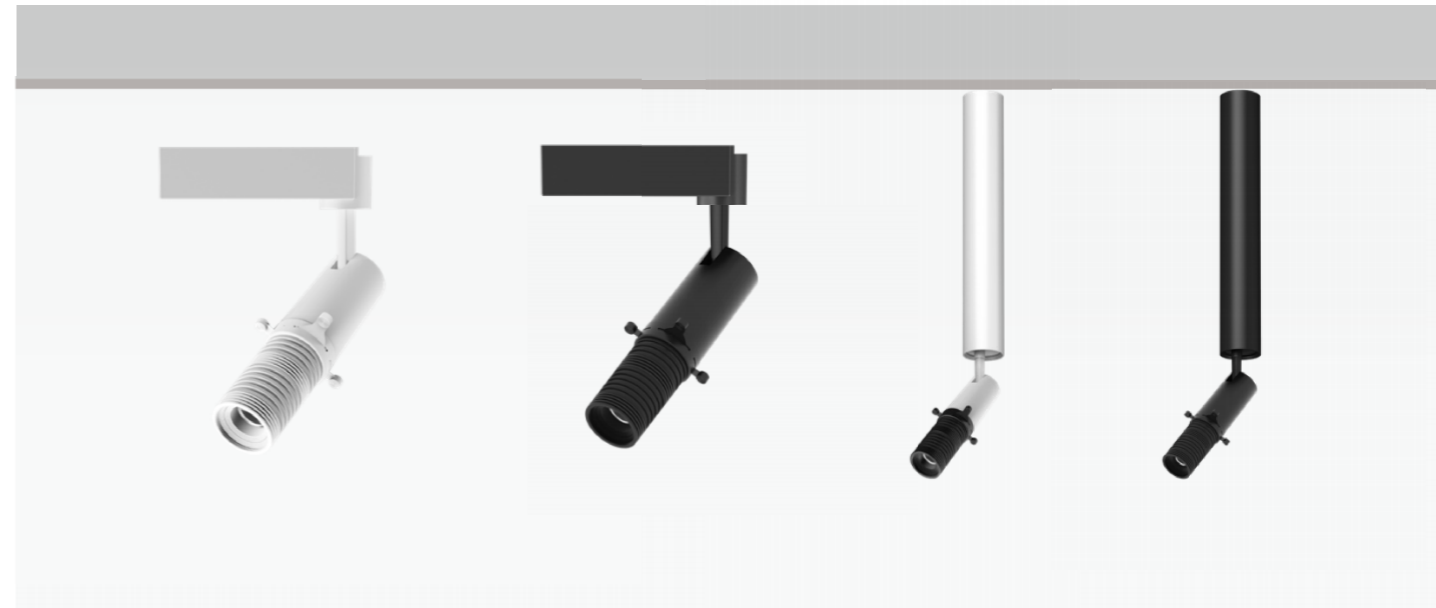
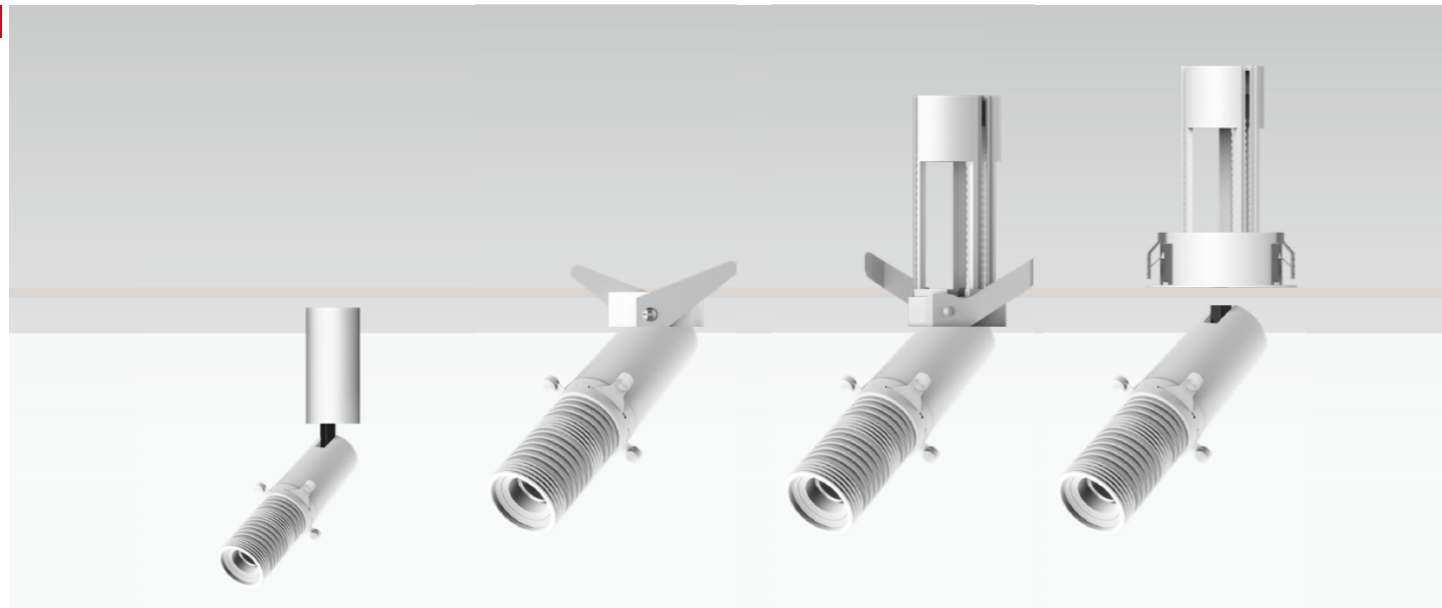


MSQG0812 / MSQG0822

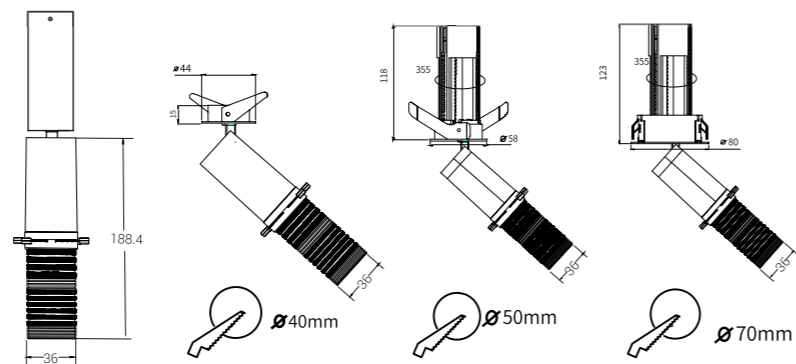
Model: MSQG0812	Model: MSQG0822
Power: 8W	Power: 2X8W
Cutout: Ø65X65mm	Cutout: Ø130X65mm
Size(WxLxH): Ø50X38X102mm	Size(WxLxH): Ø50X38X107mm



NEW



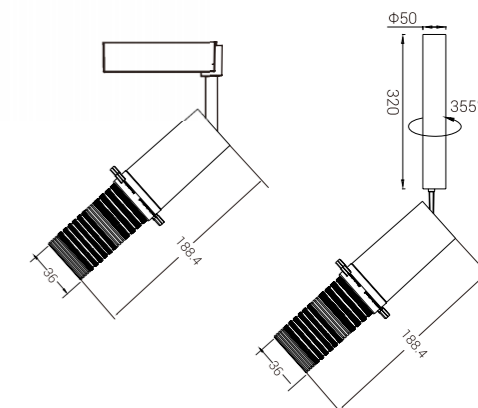
Colour:  White  Black  Gold



MSQG0813 / MSQG0814 / MSQG0815 / MSQG0816

Model: MSQG0813	Model: MSQG0814	Model: MSQG0815	Model: MSQG0816
Power: 8W	Power: 8W	Power: 8W	Power: 8W
Cutout: /	Cutout: Ø40mm	Cutout: Ø50mm	Cutout: Ø70mm
Size(DxH): Ø188.6X36mm	Size(DxH): Ø188.6X36mm	Size(DxH): Ø188.6X36mm	Size(DxH): Ø188.6X36mm

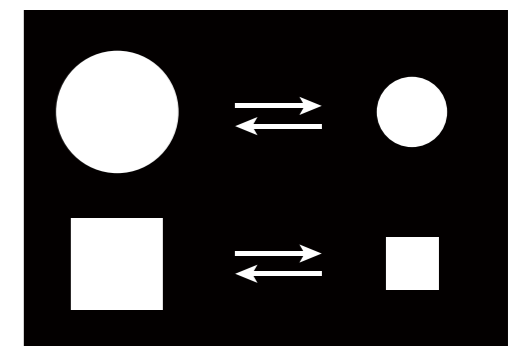
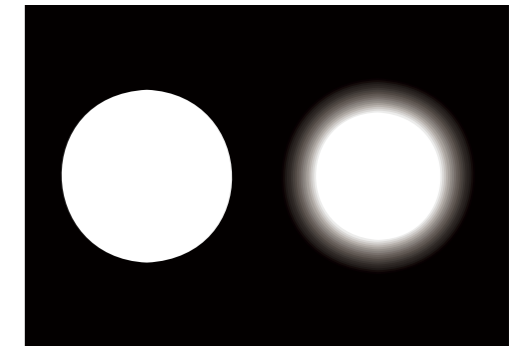
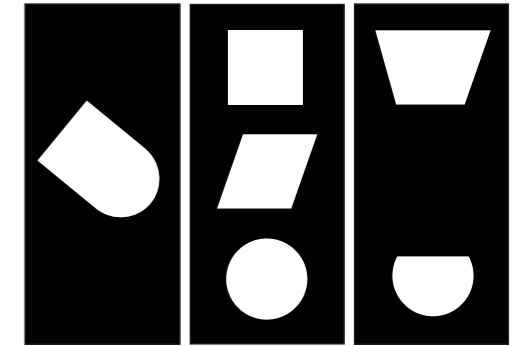
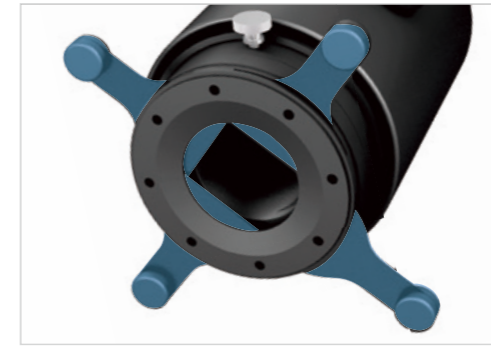
Colour:  White  Black  Gold



MSQG0817 / MSQG0818

Model: MSQG0817	Model: MSQG0818
Power: 8W	Power: 8W
Size(DxH): Ø188.4X36mm	Size(DxH): Ø188.4X36mm
	Size(DxH): Ø50X320mm







Modern Lighting Krzysztof Szyszka

ul. Podgórna 2

62-028 Kozięgłowy

Tel. +48 618 219 988

Kom. + 48 609 540 285

Info@lampyhotelowe.pl

www.lampyhotelowe.pl